

Heat Trace

Our products do more in a wide range of applications. **Expect More.**

PRODUCTS INFORMATION GUIDE & ACCESSORIES

Indeeco offers a complete line of Heat Trace products for the most demanding freeze protection, temperature maintenance, snow melting, de-icing and specialty applications in Industrial and Commercial Markets. These products are designed and manufactured to the strictest industry standards and are third-party approved for use in hazardous Industrial areas. Same-day shipping available on orders placed before noon central time (applies to self-regulating cable, accessories and stock controls only).



CRG Heating Cables are designed for freeze protection of metal and plastic pipes as well as roof & gutter de-icing applications.

150°F Maintain, 185°F Exposure, 120-277V operation, (3,5,8,10 w/ft) FM, CSA, UL

Cables are available from stock for same-day shipment.



LSR Heating Cables are designed for freeze protection and temperature maintenance of metal and plastic pipes.

150°F Maintain, 185°F Exposure, 120-277V operation, (3,5,8,10 w/ft) FM, CSA, UL, CE, ATEX

Cables are available from stock for same-day shipment.



MSR Heating Cables are designed for freeze protection and temperature maintenance of metal pipes and tanks.

250°F Maintain, 366°F Exposure, 120-277V operation (5,10,15 w/ft) FM, CSA, UL, CE, ATEX

Cables are available from stock for same-day shipment.



HSR Heating Cables are designed for freeze protection and temperature maintenance of metal pipes and tanks.

375°F Maintain, 450°F Exposure, 120-277V operation (20,25,30 w/ft) FM, CSA, CE

Cables are available from stock for same-day shipment.



Mineral Insulated Cables and accessories are available for maintain temperatures to 900°F (482°C), exposure temperatures to 1100°F (593°C), operating voltages from 120 to 600 volts, and power output up to 50 watts per foot. Available from stock for same-day shipment.



Heat trace controls and monitoring systems are available in: Single, Dual, and Multi Loop configurations for line and ambient sensing applications in ordinary and hazardous areas. These systems are designed and manufactured to insure your heat trace system reliability and integrity. Available from stock for same-day shipment.



Mechanical thermostats are designed for ordinary and hazardous area use. Manufactured for high accuracy, single pole double throw contacts, 22 amps, 120 to 480 volt operation and ambient or line sensing. Available from stock for same-day shipment.

Self-Regulating Heating Cable

CRG Heating Cables are designed for freeze protection of metal and plastic pipes and tanks in building and construction market applications. CRG Cables are also designed and approved for use in roof & gutter de-icing applications. The semiconductive polymer core changes its power output versus pipe temperature to optimize power usage and prevent overheating. The cables are designed for extended service life, are third-party tested and approved to strict industry standards for building and construction market applications. Cables are available from stock for same-day shipment.

SPECIFICATIONS

- Self-Regulating Power Output
- Continuous Maintenance Temperature
 - 150°F (65°C) Max
- Maximum Exposure Temperature
 - 185°F (85°C) Max
- Output Wattage (pipe application)
 - 3,5,8,10 W/FT @ 50°F
 - 10, 16, 26, 33 W/M @ 10°C
- Output Wattage (roof and gutter)
 - 10, 12, 16, 18 W/FT in snow/ice (32°F)
- Supply Voltage
 - 120, 208-277 VAC
- Size = 1/2" W x 1/4" H
- Minimum Bend Radius = 1 1/8"
- Minimum Install Temperature
 - 40°F (-40°C)
- Cut to Length and terminate in the field
- Can be overlapped without burnout

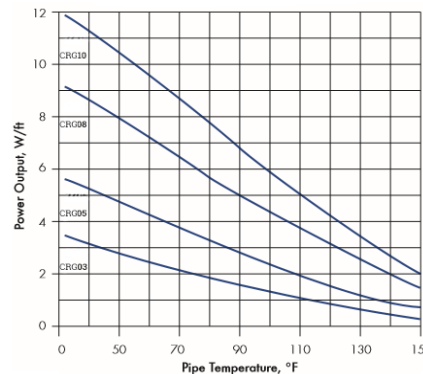
CONSTRUCTION

- 16 AWG Nickel Plated Copper Buss Wires
- Radiation Cross Linked Polymer Heater Core
- Flame Retardant, UV Stabilized Polyolefin Jacket
- Tinned Copper Braid
- Optional Modified Polyolefin Outer Jacket
 - UV Stabilized
 - Flame Retardant
 - Protects Cable against aqueous inorganic Chemicals
- Optional Fluoropolymer Outer Jacket
 - Protects against organic and corrosive chemicals



POWER OUTPUT CURVES

Power Output Curves shown below apply to cables used at service voltages shown below on insulated metal pipes. For Plastic pipe installation derate cable power output by 35% and use aluminum tape installation method. For other applications contact Indeeco.



Power Adjustment Factor		
Model	208 Volts	277 Volts
CRG03-2	0.75	1.28
CRG05-2	0.86	1.16
CRG08-2	0.91	1.1
CRG10-2	0.93	1.08

CONNECTION ACCESSORIES

All Cables require power connection and end seal terminations as a minimum to comply with third party requirements. Indeeco offers accessories to provide trouble free easy installation and maximum cable circuit life.

Accessories - Ordinary Area / Div 2 Hazardous Area			
Type	Ord Area	Part Number	Model
Power Connection	x	PCA-40J	PCA-40J
Pipe Stand Off Kit	x	PCA-40P	PCA-40P
Splice/Tee Connection	x	SPTA-1	SPTA-1
End Seal	x	ESA-ES	ESA-ES
Lighted End Seal 120 V	x	LESA-1	LESA-1
Lighted End Seal 208-240V	x	LESA-2	LESA-2
Roof & Gutter - Power Connection	x	PCA-RG2	PCA-RG2
Roof & Gutter - Roof Clips (40/pk)	x	RC-RG	RC-RG
Roof & Gutter - Downspout Hangar (10/pk)	x	DS-RG	DS-RG
Thermostat - Ambient Sense	x	1033808	THL-L1S-X-Q10
Thermostat - Line Sense	x	1033809	THR-L2S-10X-Q10
Application Tape	x	1033805	HTFT-1
Aluminum Foil Tape	x	1033806	HTAT-1
6 inch Pipe Strap	x	1033803	HTPS-6
10 Inch Pipe Strap	x	1033804	HTPS-10
Caution Label	x	1033935	HTCL-1

Note – Circuit lengths shown above are based on trip current characteristics of Type QO and Type QOB devices. For equipment with different trip current characteristics please consult Indeeco.

CIRCUIT BREAKER SIZING

Maximum Circuit Lengths per start up temperature and circuit breaker size are shown below. Use local electrical codes to select appropriate branch circuit breakers. Ground Fault circuit breakers are required for heat trace branch circuits – typical minimum trip level is 30mA. Thermal magnetic circuit breakers are recommended to reduce nuisance tripping.

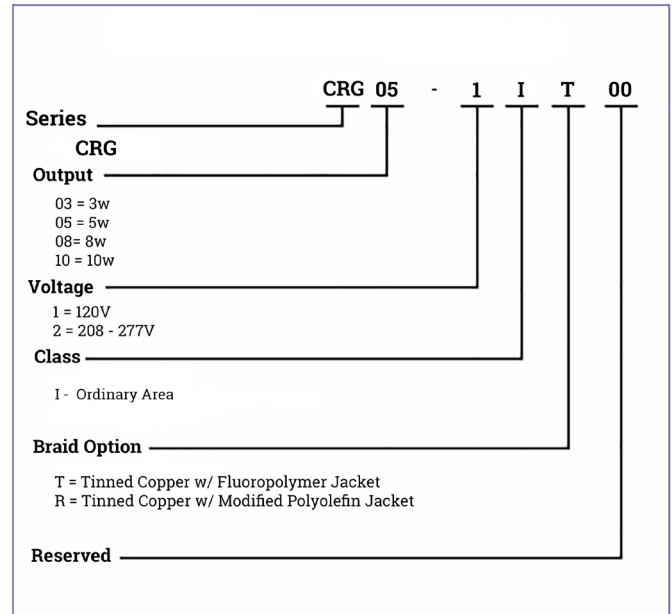
Maximum Circuit Length vs Breaker Size & Start-Up Temp FT (M)					
Model	Start-Up Temperature Deg F Deg C	15 A	20 A	30 A	40 A
CRG03-1	50 (10)	300 (92)	330 (100)	330 (100)	330 (100)
	0 (-18)	200 (60)	270 (82)	330 (100)	330 (100)
	20 (-29)	180 (55)	230 (70)	330 (100)	330 (100)
CRG03-2	50 (10)	660 (200)	660 (200)	660 (200)	660 (200)
	0 (-18)	410 (125)	560 (170)	660 (200)	660 (200)
	20 (-29)	360 (110)	480 (146)	660 (200)	660 (200)
CRG05-1	50 (10)	230 (70)	270 (82)	270 (82)	270 (82)
	0 (-18)	150 (45)	200 (60)	270 (82)	270 (82)
	20 (-29)	130 (40)	175 (54)	260 (80)	270 (82)
CRG05-2	50 (10)	460 (140)	540 (165)	540 (165)	540 (165)
	0 (-18)	300 (92)	400 (122)	540 (165)	540 (165)
	20 (-29)	260 (80)	345 (105)	520 (160)	540 (165)
CRG08-1	50 (10)	150 (45)	200 (60)	210 (64)	210 (64)
	0 (-18)	95 (30)	125 (38)	190 (58)	210 (64)
	20 (-29)	85 (26)	100 (31)	170 (52)	210 (64)
CRG08-2	50 (10)	295 (90)	390 (119)	420 (128)	420 (128)
	0 (-18)	195 (60)	250 (76)	375 (115)	420 (128)
	20 (-29)	170 (52)	225 (69)	340 (104)	420 (128)
CRG10-1	50 (10)	115 (35)	150 (45)	180 (55)	180 (55)
	0 (-18)	70 (22)	95 (30)	145 (44)	180 (55)
	20 (-29)	60 (18)	85 (26)	120 (37)	165 (50)
CRG10-2	50 (10)	230 (70)	305 (93)	360 (110)	360 (110)
	0 (-18)	150 (45)	200 (60)	300 (92)	360 (110)
	20 (-29)	130 (40)	175 (54)	260 (80)	360 (110)

Note – Circuit lengths shown above are based on trip current characteristics of Type QO and Type QOB devices. For equipment with different trip current characteristics please consult Indeeco.

PRODUCT ORDERING INFORMATION

Ordering Information				
Output W/ft	Volts	Model	Stock	LBS/1000'
3 W/FT @ 50F	120	CRG03-11R00	S	80
		CRG03-11T00	S	80
	208-277	CRG03-21R00	S	80
		CRG03-21T00	S	80
5 W/FT @ 50F	120	CRG05-11R00	S	80
		CRG05-11T00	S	80
	208-277	CRG05-21R00	S	80
		CRG05-21T00	S	80
8 W/FT @ 50F	120	CRG08-11R00	S	80
		CRG08-11T00	S	80
	208-277	CRG08-21R00	S	80
		CRG08-21T00	S	80
10 W/FT @ 50 F	120	CRG10-11R00	S	80
		CRG10-11T00	S	80
	208-277	CRG10-21R00	S	80
		CRG10-21T00	S	80

Note = To order specify model, length, and connection accessories. Cables are shipped +/- 5% of label, maximum spool length 1000 feet, minimum order is 250 feet. No fee to cut to length between 250 and 1000 feet.



Note = CRG 5 w/ft cable 12 w/ft in snow and ice recommended for roof and gutter de-icing applications

LSR

Self-Regulating Heating Cable



Pending

LSR Heating Cables are designed for freeze protection and process temperature maintenance of metal and plastic pipes and tanks. The semiconductive polymer core changes its power output versus pipe temperature to optimize power usage and prevent overheating. The cables are designed for extended service life, are third-party tested and approved to strict industry standards for ordinary and hazardous area use. Cables are available from stock for same-day shipment.

SPECIFICATIONS

- Self-Regulating Power Output
- Continuous Maintenance Temperature
 - 150°F (65°C) Max
- Maximum Exposure Temperature
 - 185°F (85°C) Max
- Output Wattage
 - 3,5,8,10 W/FT @ 50°F
 - 10, 16, 26, 33 W/M @ 10°C
- Supply Voltage
 - 120, 208-277 VAC
- T-Rating
 - 3,5,8 W/FT = T6
 - 10 W/FT = T5
- Size = 1/2" W x 1/4" H
- Minimum Bend Radius = 1 1/8"
- Minimum Install Temperature
 - 40°F (-40°C)
- Cut to Length and terminate in the field
- Can be overlapped without burnout

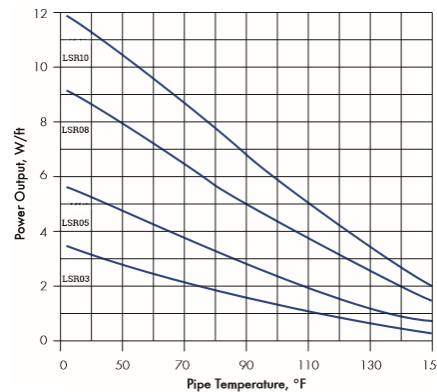
CONSTRUCTION

- 16 AWG Nickel Plated Copper Buss Wires
 - Radiation Cross Linked Polymer Heater Core
 - Flame Retardant, UV Stabilized Polyolefin Jacket
 - Tinned Copper Braid
 - Optional Modified Polyolefin Outer Jacket
 - UV Stabilized
 - Flame Retardant
 - Protects Cable against aqueous inorganic Chemicals
- Optional Fluoropolymer Outer Jacket
- Protects against organic and corrosive chemicals



POWER OUTPUT CURVES

Power Output Curves shown below apply to cables used at service voltages shown below on insulated metal pipes. For Plastic pipe installation derate cable power output by 35% and use aluminum tape installation method. For other applications contact Indeco.



Power Adjustment Factor		
Model	208 Volts	277 Volts
LSR03-2	0.75	1.28
LSR05-2	0.86	1.16
LSR08-2	0.91	1.1
LSR10-2	0.93	1.08

CONNECTION ACCESSORIES

All Cables require power connection and end seal terminations as a minimum to comply with third-party requirements. Indeco offers accessories to provide trouble free easy installation and maximum cable circuit life.

Accessories - Ordinary Area / Div 2 Hazardous Area				
Type	Ord Area	Div 2	Part Number	Model
Power Connection	x	x	PCA-40J	PCA-40J
Pipe Stand Off Kit	x	x	PCA-40P	PCA-40P
Splice/Tea Connection	x	x	SPTA-1	SPTA-1
End Seal	x	x	ESA-ES	ESA-ES
Lighted End Seal 120 V	x	x	LESA-1	LESA-1
Lighted End Seal 208-240V	x	x	LESA-2	LESA-2
Thermostat - Ambient Sense	x		1033808	THL-L15-X-Q10
Thermostat - Line Sense	x		1033809	THR-L25-10X-Q10
Thermostat - Ambient Sense	x	x	1033810	TXL-L15-Q10
Thermostat - Line Sense	x	x	1033811	TXR-L25-10-Q10
Application Tape	x	x	1033805	HTFT-1
Aluminum Foil Tape	x	x	1033806	HTAT-1
6 inch Pipe Strap	x	x	1033803	HTPS-6
10 Inch Pipe Strap	x	x	1033804	HTPS-10
Caution Label	x	x	1033935	HTCL-1

CIRCUIT BREAKER SIZING

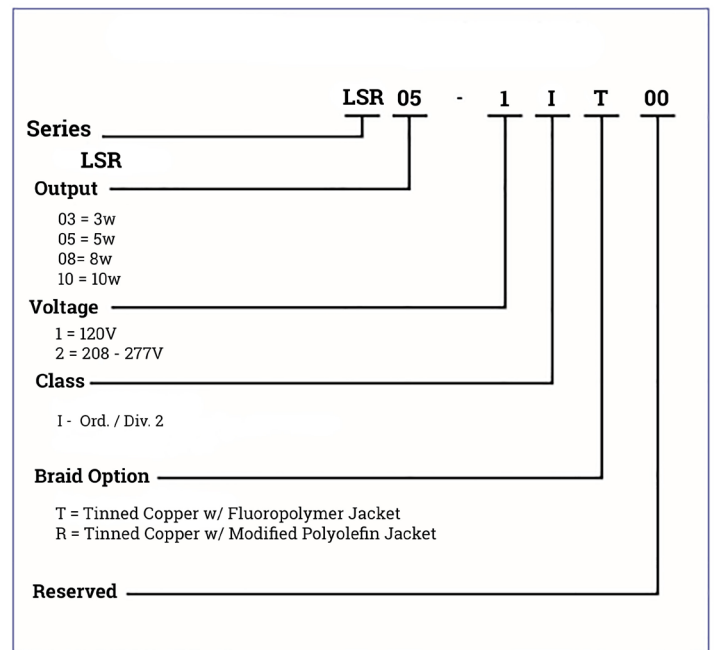
Maximum Circuit Lengths per start up temperature and circuit breaker size are shown below. Use local electrical codes to select appropriate branch circuit breakers. Ground Fault circuit breakers are required for heat trace branch circuits – typical minimum trip level is 30mA. Thermal magnetic circuit breakers are recommended to reduce nuisance tripping.

Maximum Circuit Length vs Breaker Size & Start-Up Temp FT (M)					
Model	Start-Up Temperature Deg F Deg C	15 A	20 A	30 A	40 A
LSR03-1	50 (10)	300 (92)	330 (100)	330 (100)	330 (100)
	0 (-18)	200 (60)	270 (82)	330 (100)	330 (100)
	-20 (-29)	180 (55)	230 (70)	330 (100)	330 (100)
LSR03-2	50 (10)	660 (200)	660 (200)	660 (200)	660 (200)
	0 (-18)	410 (125)	560 (170)	660 (200)	660 (200)
	-20 (-29)	360 (110)	480 (146)	660 (200)	660 (200)
LSR05-1	50 (10)	230 (70)	270 (82)	270 (82)	270 (82)
	0 (-18)	150 (45)	200 (60)	270 (82)	270 (82)
	-20 (-29)	130 (40)	175 (54)	260 (80)	270 (82)
LSR05-2	50 (10)	460 (140)	540 (165)	540 (165)	540 (165)
	0 (-18)	300 (92)	400 (122)	540 (165)	540 (165)
	-20 (-29)	260 (80)	345 (105)	520 (160)	540 (165)
LSR08-1	50 (10)	150 (45)	200 (60)	210 (64)	210 (64)
	0 (-18)	95 (30)	125 (38)	190 (58)	210 (64)
	-20 (-29)	85 (26)	100 (31)	170 (52)	210 (64)
LSR08-2	50 (10)	295 (90)	390 (119)	420 (128)	420 (128)
	0 (-18)	195 (60)	250 (76)	375 (115)	420 (128)
	-20 (-29)	170 (52)	225 (69)	340 (104)	420 (128)
LSR10-1	50 (10)	115 (35)	150 (45)	180 (55)	180 (55)
	0 (-18)	70 (22)	95 (30)	145 (44)	180 (55)
	-20 (-29)	60 (18)	85 (26)	120 (37)	165 (50)
LSR10-2	50 (10)	230 (70)	305 (93)	360 (110)	360 (110)
	0 (-18)	150 (45)	200 (60)	300 (92)	360 (110)
	-20 (-29)	130 (40)	175 (54)	260 (80)	360 (110)

Note – Circuit lengths shown above are based on trip current characteristics of Type QO and Type QOB devices. For equipment with different trip current characteristics please consult Indeco.

PRODUCT ORDERING INFORMATION

Ordering Information				
Output W/ft	Volts	Model	Stock	LBS/1000'
3 W/FT @ 50F	120	LSR03-11R00	S	80
		LSR03-11T00	S	80
	208-277	LSR03-21R00	S	80
		LSR03-21T00	S	80
5 W/FT @ 50F	120	LSR05-11R00	S	80
		LSR05-11T00	S	80
	208-277	LSR05-21R00	S	80
		LSR05-21T00	S	80
8 W/FT @50F	120	LSR08-11R00	S	80
		LSR08-11T00	S	80
	208-277	LSR08-21R00	S	80
		LSR08-21T00	S	80
10 W/FT @ 50 F	120	LSR10-11R00	S	80
		LSR10-11T00	S	80
	208-277	LSR10-21R00	S	80
		LSR10-21T00	S	80



Note = To order specify model, length, and connection accessories. Cables are shipped +/- 5% of label, maximum spool length 1000 feet, minimum order is 250 feet. No fee to cut to length between 250 and 1000 feet.

Self-Regulating Heating Cable

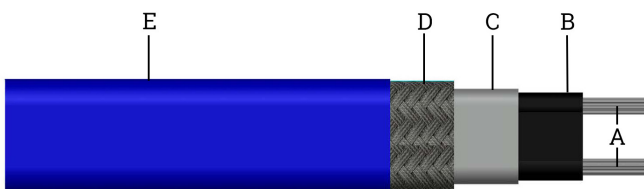
MSR Heating Cables are designed for freeze protection and process temperature maintenance of metal pipes and tanks. The semiconductive polymer core changes its power output versus pipe temperature to optimize power usage and prevent overheating. The cables are designed for extended service life, are third-party tested and approved to strict industry standards for ordinary and hazardous area use. Cables are available from stock for same-day shipment.

SPECIFICATIONS

- Self-Regulating Power Output
- Continuous Maintenance Temperature
 - 250°F (120°C) Max
- Maximum Exposure Temperature
 - 366°F (185°C) Max
- Output Wattage
 - 5,10,15 W/FT @ 50°F
 - 16,33,49 W/M @ 10°C
- Supply Voltage
 - 120, 208-277 VAC
- T-Rating
 - 5,10,15 W/FT = T3
- Size = 9/16" W x 1/4" H
- Minimum Bend Radius = 1 1/8"
- Minimum Install Temperature
 - -40°F (-40°C)
- Cut to Length and terminate in the field
- Can be overlapped without burnout

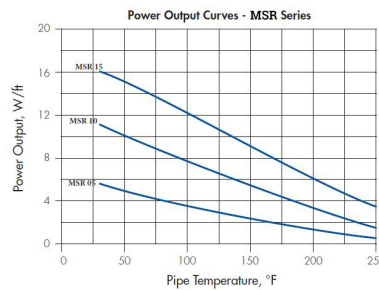
CONSTRUCTION

- 16 AWG Nickel Plated Copper Buss Wires
- Modified Fluoropolymer heater core
- Modified Fluoropolymer insulating jacket
- Tinned Copper Braid
- Modified Fluoropolymer Outer Jacket
 - Protects against organic, inorganic and corrosive chemicals



POWER OUTPUT CURVES

Power Output Curves shown below apply to cables used at service voltages shown below on insulated metal pipes. For other applications contact Indeeco.



Power Adjustment Factor		
Model	208 Volts	277 Volts
MSR05-2	0.78	1.25
MSR10-2	0.86	1.16
MSR15-2	0.92	1.09

CONNECTION ACCESSORIES

All Cables require power connection and end seal terminations as a minimum to comply with third party requirements. Indeeco offers accessories to provide trouble free easy installation and maximum cable circuit life.

Accessories - Ordinary Area / Div 2 Hazardous Area				
Type	Ord Area	Div 2	Part Number	Model
Power Connection	x	x	PCA-40J	PCA-40J
Pipe Stand Off Kit	x	x	PCA-40P	PCA-40P
Splice/Tee Connection	x	x	SPTA-1	SPTA-1
End Seal	x	x	ESA-ES	ESA-ES
Lighted End Seal 120 V	x	x	LESA-1	LESA-1
Lighted End Seal 208-240V	x	x	LESA-2	LESA-2
Thermostat - Ambient Sense	x		1033808	THL-L1S-X-Q10
Thermostat - Line Sense	x		1033809	THR-L2S-10X-Q10
Thermostat - Ambient Sense	x	x	1033810	TXL-L1S-Q10
Thermostat - Line Sense	x	x	1033811	TXR-L2S-10-Q10
Application Tape	x	x	1033805	HTFT-1
Aluminum Foil Tape	x	x	1033806	HTAT-1
6 inch Pipe Strap	x	x	1033803	HTPS-6
10 Inch Pipe Strap	x	x	1033804	HTPS-10
Caution Label	x	x	1033935	HTCL-1

CIRCUIT BREAKER SIZING

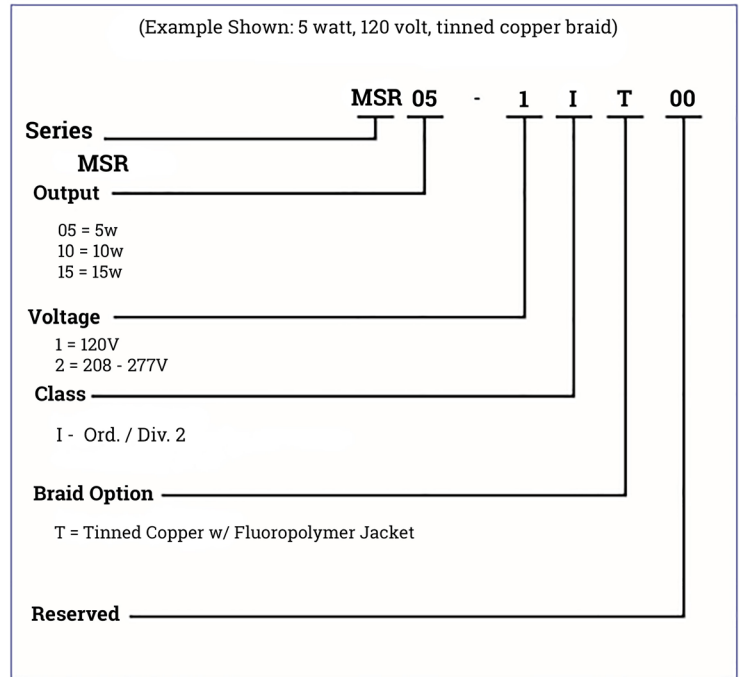
Maximum Circuit Lengths per start up temperature and circuit breaker size are shown below. Use local electrical codes to select appropriate branch circuit breakers. Ground Fault circuit breakers are required for heat trace branch circuits – typical minimum trip level is 30mA. Thermal magnetic circuit breakers are recommended to reduce nuisance tripping.

Maximum Circuit Length vs Breaker Size & Start-Up Temp FT (M)					
Model	Start-Up Temperature Deg F Deg C	15 A	20 A	30 A	40 A
		MSR05-1	50 (10)	150 (45)	200 (60)
	0 (-18)	135 (41)	180 (55)	220 (67)	220 (67)
	-40 (-40)	130 (40)	170 (52)	210 (64)	210 (64)
MSR05-2	50 (10)	250 (76)	330 (100)	480 (146)	480 (146)
	0 (-18)	230 (70)	305 (93)	440 (134)	440 (134)
	-40 (-40)	220 (67)	295 (90)	420 (128)	420 (128)
MSR10-1	50 (10)	90 (27)	120 (37)	180 (55)	180 (55)
	0 (-18)	85 (26)	110 (34)	165 (50)	165 (50)
	-40 (-40)	80 (24)	105 (32)	160 (49)	160 (49)
MSR10-2	50 (10)	140 (43)	190 (58)	280 (85)	280 (85)
	0 (-18)	130 (40)	175 (53)	260 (79)	260 (79)
	-40 (-40)	125 (38)	170 (52)	250 (76)	250 (76)
MSR15-1	50 (10)	70 (21)	90 (27)	130 (40)	130 (40)
	0 (-18)	65 (20)	85 (26)	125 (38)	125 (38)
	-40 (-40)	60 (18)	80 (24)	120 (37)	120 (37)
MSR15-2	50 (10)	100 (30)	135 (41)	200 (60)	200 (60)
	0 (-18)	95 (29)	125 (38)	185 (56)	185 (56)
	-40 (-40)	90 (27)	120 (37)	180 (55)	180 (55)

Note – Circuit lengths shown above are based on trip current characteristics of Type QO and Type QOB devices. For equipment with different trip current characteristics please consult Indeco.

PRODUCT ORDERING INFORMATION

Ordering Information				
Output W/ft	Volts	Model	Stock	LBS/1000'
5 W/FT @ 50F	120	MSR05-11T00	S	80
	208-277	MSR05-21T00	S	80
10 W/FT @ 50F	120	MSR10-11T00	S	80
	208-277	MSR10-21T00	S	80
15 W/FT @ 50F	120	MSR15-11T00	S	80
	208-277	MSR15-21T00	S	80



Note = To order specify model, length, and connection accessories. Cables are shipped +/- 5% of label, maximum spool length 1000 feet, minimum order is 250 feet. No fee to cut to length between 250 and 1000 feet.

HSR

Self-Regulating Heating Cable



HSR Heating Cables are designed for freeze protection and process temperature maintenance of metal pipes and tanks. The semiconductive polymer core changes its power output versus pipe temperature to optimize power usage and prevent overheating. The cables are designed for extended service life, are third-party tested and approved to strict industry standards for ordinary and hazardous area use. Cables are available from stock for same-day shipment.

SPECIFICATIONS

- Self-Regulating Power Output
- Continuous Maintenance Temperature
 - 375°F (190°C) Max
- Intermittent Exposure Temperature
 - 450°F (232°C) Max
- Output Wattage
 - 20,25,30 W/FT @ 50°F
 - 65,82,98 W/M @ 10°C
- Supply Voltage
 - 120, 208-277 VAC
- T-Rating
 - 20,25,30 W/FT = T3
- Size = 1/2" W x 1/4" H
- Minimum Bend Radius = 1 1/8"
- Minimum Install Temperature
 - -40°F (-40°C)
- Cut to Length and terminate in the field
- Can be overlapped without burnout

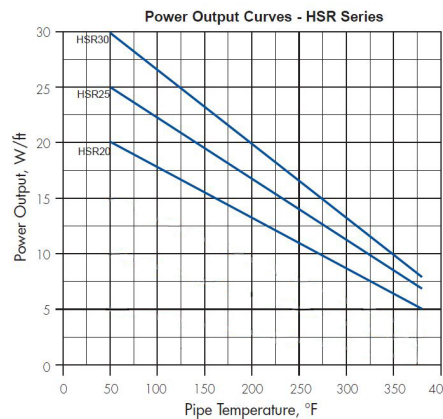
CONSTRUCTION

- 16 AWG Nickel Plated Copper Buss Wires
- Modified Fluoropolymer heater core
- Modified Fluoropolymer insulating jacket
- Tinned Copper Braid
- Fluoropolymer Outer Jacket
 - Protects against organic, inorganic and corrosive chemicals



POWER OUTPUT CURVES

Power Output Curves shown below apply to cables used at service voltages shown below on insulated metal pipes. For other applications contact Indeco.



Power Adjustment Factor		
Model	208 Volts	277 Volts
HSR20-2	0.94	1.08
HSR25-2	0.96	1.04
HSR30-2	0.99	1.01

CONNECTION ACCESSORIES

All Cables require power connection and end seal terminations as a minimum to comply with third party requirements. Indeco offers accessories to provide trouble free easy installation and maximum cable circuit life.

Accessories - Ordinary Area / Div 2 Hazardous Area				
Type	Ord Area	Div 2	Part Number	Model
Power Connection	x	x	PCA-81J	PCA-81J
Pipe Stand Off Kit	x	x	PCA-81P	PCA-81P
Splice/Tee Connection	x	x	SPTA-1	SPTA-1
End Seal	x	x	ESA-81	ESA-81
Lighted End Seal 120 V	x	x	LESA-1	LESA-1
Lighted End Seal 208-240V	x	x	LESA-2	LESA-2
Thermostat - Ambient Sense	x		1033808	THL-L1S-X-Q10
Thermostat - Line Sense	x		1033809	THR-L2S-10X-Q10
Thermostat - Ambient Sense	x	x	1033810	TXL-L1S-Q10
Thermostat - Line Sense	x	x	1033811	TXR-L2S-10-Q10
Application Tape	x	x	1033805	HTFT-1
Aluminum Foil Tape	x	x	1033806	HTAT-1
6 inch Pipe Strap	x	x	1033803	HTPS-6
10 Inch Pipe Strap	x	x	1033804	HTPS-10
Caution Label	x	x	1033935	HTCL-1

CIRCUIT BREAKER SIZING

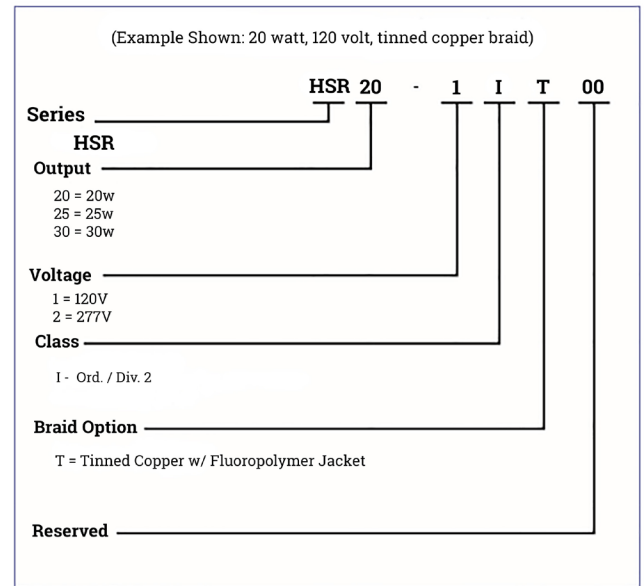
Maximum Circuit Lengths per start up temperature and circuit breaker size are shown below. Use local electrical codes to select appropriate branch circuit breakers. Ground Fault circuit breakers are required for heat trace branch circuits – typical minimum trip level is 30mA. Thermal magnetic circuit breakers are recommended to reduce nuisance tripping.

Maximum Circuit Length vs Breaker Size & Start-Up Temp FT (M)						
Model	Start-Up Temperature		15 A	20 A	30 A	40 A
	Deg F	Deg C				
HSR20-1	50 (10)		60 (18)	90 (27)	120 (37)	120 (37)
	0 (-18)		55 (17)	70 (21)	110 (34)	110 (34)
	-50 (-45)		50 (15)	65 (20)	100 (30)	100 (30)
HSR20-2	50 (10)		115 (35)	150 (46)	230 (70)	230 (70)
	0 (-18)		110 (34)	145 (44)	220 (67)	220 (67)
	-50 (-45)		105 (32)	140 (43)	210 (64)	210 (64)
HSR25-1	50 (10)		45 (14)	60 (18)	85 (26)	85 (26)
	0 (-18)		40 (12)	50 (15)	80 (24)	80 (24)
	-50 (-45)		40 (12)	50 (15)	80 (24)	80 (24)
HSR25-2	50 (10)		90 (27)	120 (37)	170 (52)	170 (52)
	0 (-18)		80 (24)	100 (30)	160 (49)	160 (49)
	-50 (-45)		80 (24)	100 (30)	160 (49)	160 (49)
HSR30-1	50 (10)		40 (12)	50 (15)	70 (21)	70 (21)
	0 (-18)		35 (11)	45 (14)	70 (21)	70 (21)
	-50 (-45)		35 (11)	45 (14)	70 (21)	70 (21)
HSR30-2	50 (10)		80 (24)	100 (30)	140 (43)	140 (43)
	0 (-18)		70 (21)	90 (27)	140 (43)	140 (43)
	-50 (-45)		70 (21)	90 (27)	140 (43)	140 (43)

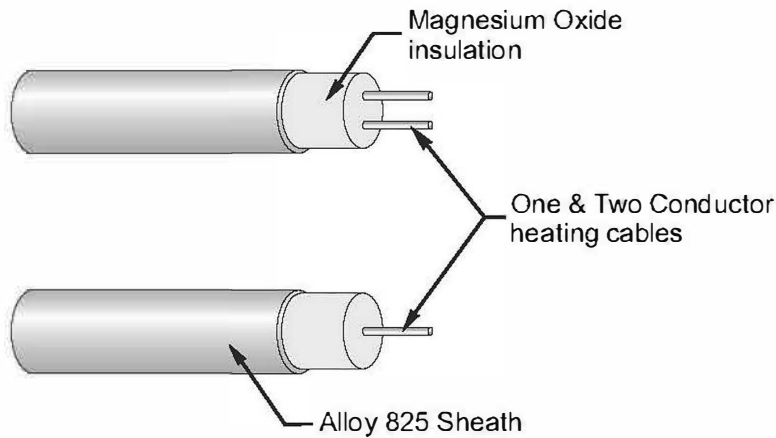
Note – Circuit lengths shown above are based on trip current characteristics of Type QO and Type QOB devices. For equipment with different trip current characteristics please consult Indeco.

PRODUCT ORDERING INFORMATION

Ordering Information				
Output W/ft	Volts	Model	Stock	LBS/1000'
20 W/FT @ 50F	120	HSR20-11T00	S	90
	208-277	HSR20-21T00	S	90
25 W/FT @ 50F	120	HSR25-11T00	S	90
	208-277	HSR25-21T00	S	90
30 W/FT @ 50F	120	HSR30-11T00	S	90
	208-277	HSR30-21T00	S	90



Note = To order specify model, length, and connection accessories. Cables are shipped +/- 5% of label, maximum spool length 1000 feet, minimum order is 250 feet. No fee to cut to length between 250 and 1000 feet.



TYPE MIHT K & B INCOLOY SHEATH HEATING CABLE

- Process Pipe Heating
- Freeze Protection
- Snow Melting
- Frost Heave Protection
- Tank & Vessel Heating
- Up to 1100°F Exposure Temps.

DESCRIPTION

Indeeco Mineral Insulated type K & B heating cable is ideal for a wide range of industrial and commercial heating applications. It has resistive heating conductors embedded in highly compressed magnesium oxide insulation and covered with a stainless Alloy 825 sheath.

The sheath is fully annealed and is easily hand formable. The low resistance metallic sheath is an ideal ground path. MI heating cable is totally inorganic and will not deteriorate with age. All heating units are factory fabricated to a specified length and rigorously tested to IEEE standards.

TYPE MIHT HEATING CABLE SPECIFICATIONS

Table 1

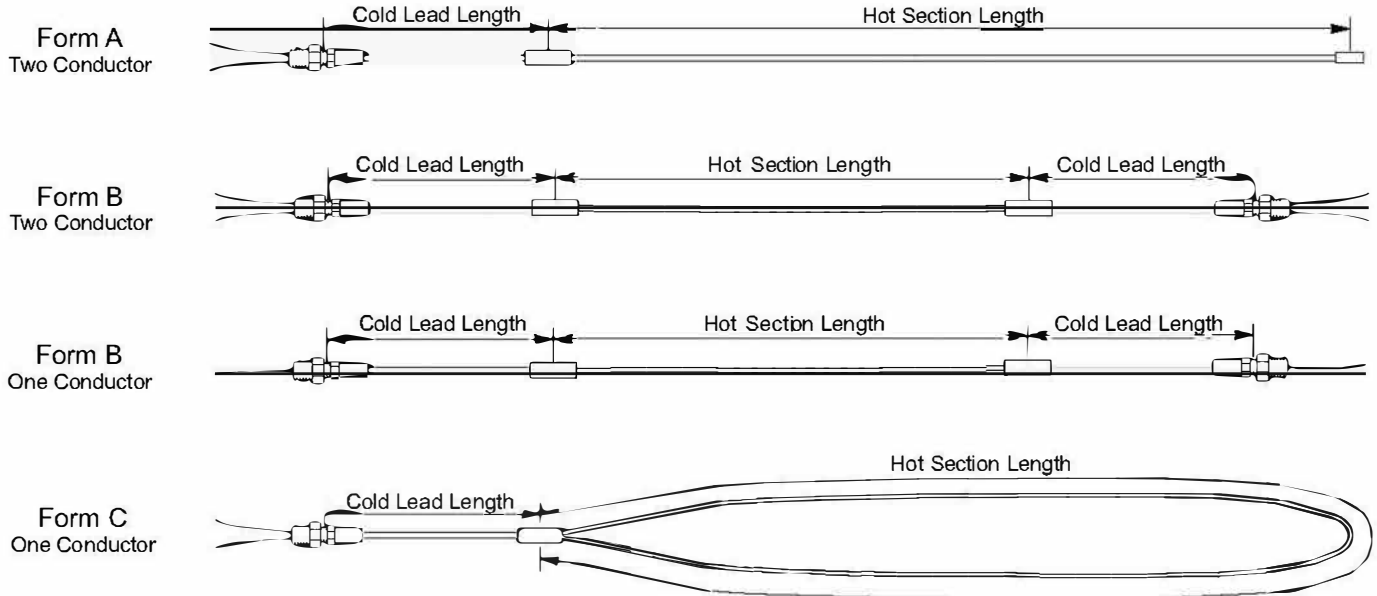
300 Volt, 2 Conductor 3/16" OD .07 lbs/ft			600 Volt, 2 Conductor 5/16" OD .22 lbs/ft			600 Volt, 1 Conductor 3/16" OD .07 lbs/ft		
Size	Ohms/ft	Max Exp Temp °F	Size	Ohms/ft	Max Exp Temp °F	Size	Ohms/ft	Max Exp Temp °F
K556	.043*	600	B588	.0071*	600	K145	.0046*	600
K658	.058*		B614	.0149*		K189	.0090*	
K674	.074*		B627	.027*		K216	.0165*	
K693	.093*		B640	.040*		K239	.039	
K712	.117*		B670	.065	K250	.050	1100	
K715	.147*		B710	.104	K279	.079		
K721	.213*		B715	.162	K310	.095		
K732	.319		B720	.205	K316	.157		
K742	.416	B732	.325	K326	.260			
K752	.520	B750	.500	K333	.330			
K766	.660	B774	.735	K346	.457			
K774	.740	B810	1.162	K372	.730			
K810	1.00	B819	1.87	K412	1.17			
K813	1.30	B830	2.97	K415	1.48			
K818	1.80	B840	4.30	K423	2.36			
K824	2.34	B859	5.98	K430	2.80			
K830	2.96			K447	4.50			
K838	3.70							
K846	4.72							
K860	5.60							
K866	6.60							
K894	9.00							
K919	18.00							

Note: All values @ 68° F

* Resistance Curves Apply, Consult Factory for Design

HEATER FORMS

Table 2



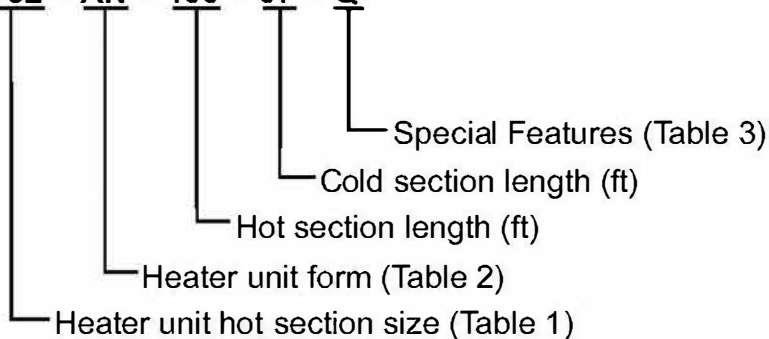
SPECIAL FEATURES

Table 3

Option	Description
-C1	1/2" reversed gland on hot to cold joint.
-C2	3/4" reversed gland on hot to cold joint.
-E	Puller eye end cap.
-P	P.V.C. jacketed cold section
-Q	High temperature adapter
-R	Heater on non-returnable reel
-U	Listed NEMA 7 termination fitting
-X	Other, specify

HEATER CATALOG NUMBER SYSTEM

MIHT - K732 - AN - 100 - 07 - Q





425 Hanley Industrial Court
 St. Louis, MO 63144
 Ph: 314-644-4300 – Fax: 314-644-5332
 www.indeeco.com

Date _____ Job Reference _____
 Company Name _____
 Address _____
 City _____ State _____ Zip _____
 Customer Contact _____
 Phone No. _____
 E-Mail Address _____
 Site Delivery Requirement: _____

Heat Trace

Download the form and fill out all known information. Once complete, email to sales@indeeco.com

INSTALLATION INFORMATION:

Site Low Ambient Temperature: _____
Site High Ambient Temperature: _____
Overall Quantity: _____
Individual Lengths Required (if applicable): _____

HEAT TRACE DATA

Pipe Diameter: _____	Pipe Type (metal/plastic): _____
Pipe length: _____	Insulation Type: _____
Insulation Thickness: _____	Indoor / Outdoor Location: _____
Maintain Temperature: _____	Minimum Ambient Temperature: _____
Maximum Exposure Temperature: _____	Operating Voltage (120,208,240,277): _____
Line Sensing Control: _____	Ambient Sensing Control: _____
Hazardous Area / Class & Division: _____	Hazardous Area T-Rating: _____
# of valves in line (if known): _____	# of flanges in line (if known): _____
# of pipe supports in line (if known): _____	# of tees in line (if known): _____

CONTROL METHOD (IF APPLICABLE)

Line Sensing Thermostat: _____	Electronic Controller: _____
--------------------------------	------------------------------

SPECIAL NOTES:

--

Inspection Report Form for Electric Heat Tracing (Typical)

Location: _____ System: _____ Reference Drawing(s): _____

CIRCUIT INFORMATION

Heater Cat. No.: _____	Circuit Length: _____	Bkr. Panel No.: _____
Power Connection: _____	Design Voltage: _____	Bkr. Pole(s) No.: _____
Tee Connection: _____	Ground-Fault Protection (type): _____	
Splice Connection: _____	Ground-Fault Trip Setting: _____	
Heater Control: _____	Operating Voltage: 120 208 240 277	

VISUAL

Panel Number	Circuit #					
	Date					
	Initial					
Thermal Insulation						
Damaged Insulation / Lagging						
Water Seal Good						
Insulation / Lagging Missing						
Presence of Moisture						
Heating System Components						
Enclosures, Boxes Sealed						
Presence of Moisture						
Sign of Corrosion						
Heater Lead Discoloration						
Heating and/or High Limit Controller						
Operating Properly						
Controller Setpoint						

ELECTRICAL

Dielectric Insulation Resistance (Bypass Controller) Refer to IEEE-2017 for test voltages and pass/fail criteria						
Test Voltage						
Megger Value						
Heater Supply Voltage						
Value at Power Source						
Value at Field Connection						
Heater Circuit Current Reading						
Pipe Temperature						
Amps Reading at 2-5 min.						
Amps Reading After 15 min.						
Ground-Fault Current						
Comments and Actions:						
Performed by:		Company:		Date:		
Approved by:		Company:		Date:		

We have the experience and expertise to provide you with the personalized support to arrive at customized solutions.

Email sales@indeco.com
or call 800.243.8162
to find your nearest
Indeeco representative.



When you need more
than an off-the-shelf,
standardized product.
Ask **More.**