

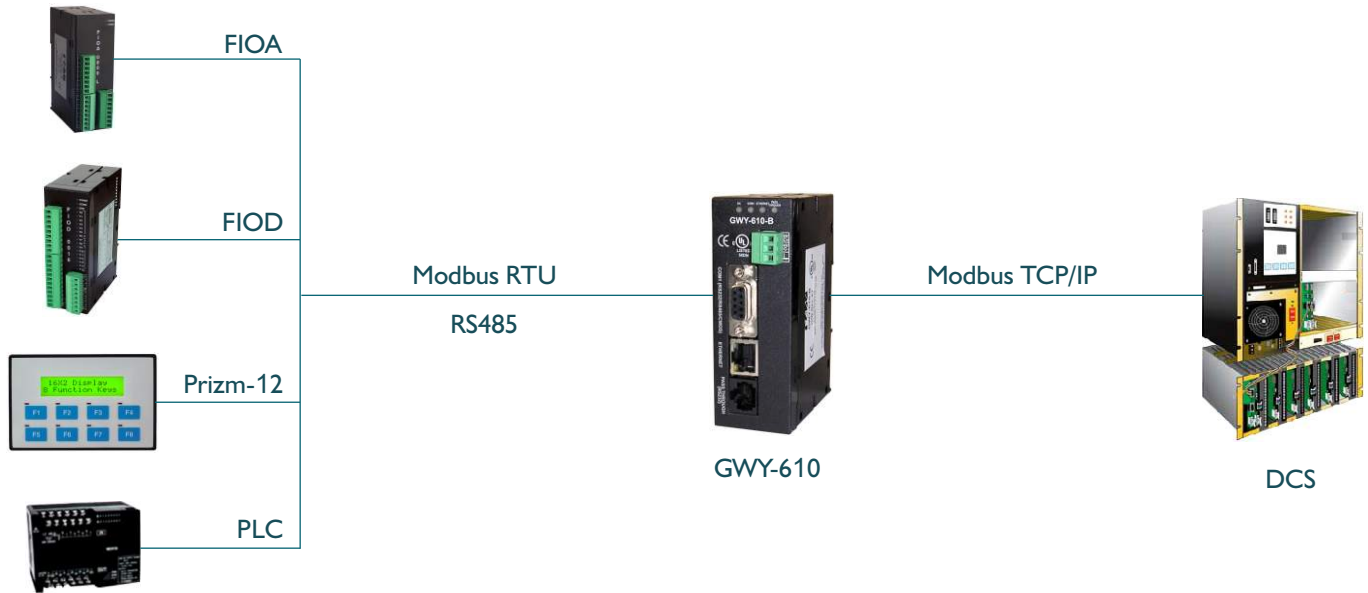


Programmable Industrial Protocol Converter :

- DIN Rail or Panel Mounted compact Protocol Converter
- Hardware with two communication ports :
COM1: RS232 / RS422 / 2 or 4 wire RS485 / CMOS (Serial)
COM2: 10/100Base-T Connector (Modbus TCP/IP/HTTP)
COM3: RS232 / Pass Through for COM1
- Connects PLCs, Drive and other serial devices on Modbus TCP/IP network / to HTTP Client
- Common model for connecting different devices. Several PLC and Inverters can be supported
- Low power consumption of only 2.5 Watts
- Common Programming software for the entire Gateway family.....FREE!!
- CE with UL certification

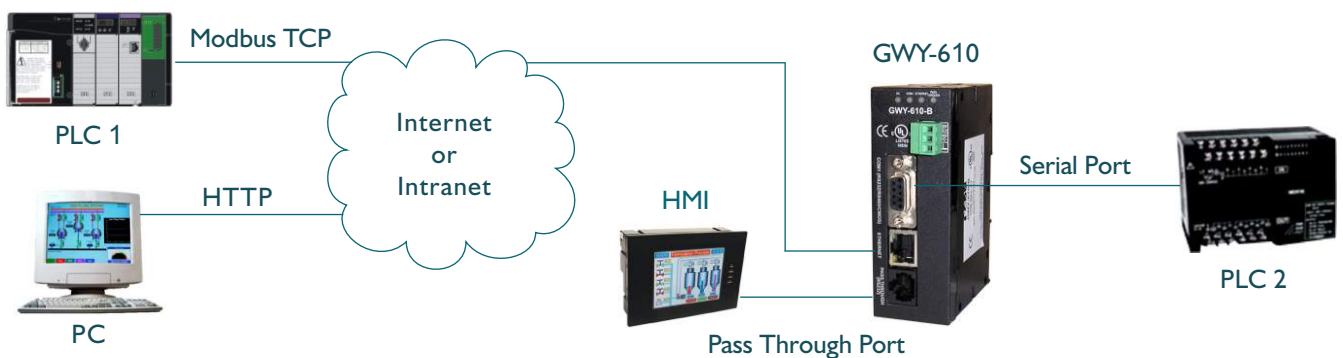
Possible Applications :

1. Modbus RTU to Modbus TCP/IP Conversion



GWY-610 enables any Modbus RTU or supported serial devices such as Field I/O, HMI, PLC, Drives, Meters etc. to become compatible to Ethernet network over Modbus TCP/IP.

2. Serial protocols to Ethernet protocol Gateway (Web server application)

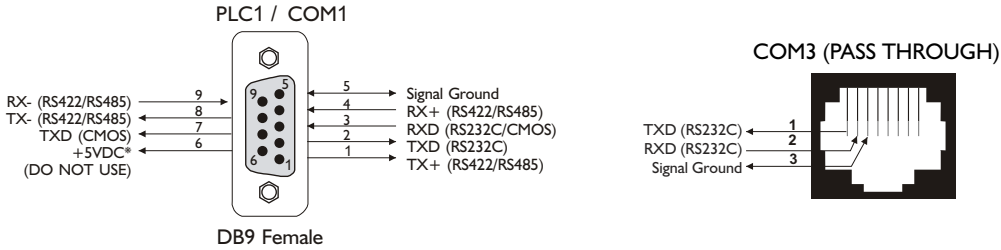


GWY-610 is the ideal solution for serial devices such as PLCs, Drives and Other serial device in many applications where connectivity such as Modbus TCP/IP, Ethernet IP or Toshiba protocol over UDP is needed. The GWY-610 will be a powerful module designed with both Client and Server support, which will enable easy connection for serial devices with Modbus TCP/IP Devices.

Now, GWY-610 also provides the capability to monitor run-time parameters of the controller / serial device using any standard HTTP client (Internet Explorer, Mozilla, etc.) via the embedded web (HTTP) server; the run-time parameters are presented in standard HTML format. The setup software provides flexibility to choose the controller parameters to be monitored, configure the HTML pages and download them to the Ethernet Gateway module.

Communication Ports :

The GWY-610 PLC1 / COM1 port is compatible to RS232 / RS422 / RS485 and CMOS signal levels. Passthrough port supports RS232 signal levels. The Pin-outs of these ports are shown below :



*Do not use pin no. 6 of PLC1 / COM1.
**Refer our website
(www.renuelectronics.com) for your specific
Cable requirements

GWY-610 Operations :

GWY-610 is a Protocol Converter / Data sharer for devices like PLCs, Inverters, Controllers etc. GWY-610 has a serial port, that connects to a serial device and a Ethernet port (Modbus TCP Client, Modbus TCP Server and other Ethernet Protocols), that connects to Ethernet. This Gateway allows serial devices to act as a server on to a Modbus TCP/IP network. It also allows serial devices to act as a Client on to a Modbus TCP/IP network.

Our Windows® based Gateway setup software makes it easy to configure the GWY-610. After choosing which protocol to be used for each port, you can program the Gateway to transfer the data blocks.

System requirements for Gateway Setup Software are :

Windows Version : Microsoft Windows XP / 2000, Windows 7 / VISTA
Processor : PENTIUM or higher
Hard disk Space : 5 MB or more
RAM : 64 MB or more
Display resolution : 800 X 600 (VGA) or better
Display colors : 16 bit color

Programming software is common for the entire Gateway family.

Other Accessories required for the GWY-610 configuration and to use in actual application:

1. Gateway Configuration / Connecting Cable.**
2. Gateway Setup Software .
3. Devices with communication cables.

Protocols supported for :

The GWY-610 supports Modbus TCP Client, Modbus TCP Server , Web Server protocol on Ethernet port.

It currently support following devices on COM1 Port :

- Modbus RTU (Master)
- ABB (Modbus RTU)
- Delta DVP Series (Modbus RTU)
- GE Fanuc Series 90-30, VersaMax
- Omron Host Link
- Toshiba T1, T2, T3 (Link Port)
- Siemens-S7-200 PPI
- Xtra Drive PLCs on COM1 side.
- Modbus RTU (Slave)
- AB DF1 Full Duplex (Micrologix /SLC5/0x / PLC5/30)
- IDEC Micro³ / C, IDEC MicroSmart, IDEC Open Net
- Messung NEXGEN 2000 / NEXGEN 4000 / NEXGEN 5000 (Modbus RTU)
- Telemecanique 17, 47 & 67 Series
- Toshiba ASD
- Yaskawa Drives

It can also support following Devices on request:

- Baldor Drives
- Keyence KV
- Messung XMP-8
- Taian TP02 Series
- USS Protocol
- Crouzet
- LG MasterK 80S-300S
- Mitsubishi FX
- Twido

New Device drivers are constantly added. Please contact factory for more information.

We welcome an opportunity to develop new, custom drivers and customization of Gateway products.

Specifications :

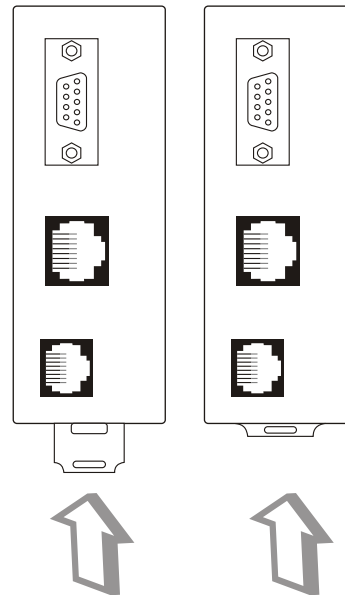
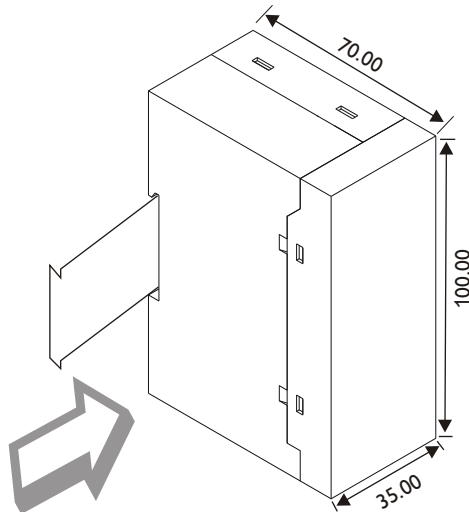
Power	: +24V DC + 10%, 200mA max
LEDs	: 3 LEDs for status indication
Communication Ports	: 2 Communication ports with
COM1 (DB9 Female)	: RS232 / RS422 / RS485 / CMOS (Serial)
COM2 (RJ45)	: 10/100Base-T Connector (Modbus TCP/IP)
COM3 (RJ45)	: RS232 (Isolation between communication ports and Power supply, through DC-DC coupler is 1 KV)
COM1 / PLC1	: Connects to PC for setup download or connects to PLC1 at runtime.
COM2 / PLC2	: Connects Modbus TCP/IP Network or HTTP Client . (Isolation between communication ports, through opto-isolation is 1KV for 1 min)
Temperature	: Operating : 0° to 60°C
Storage	: -20° to 80°C
Humidity	: 10% to 90% (Non condensing)
Mounting	: DIN rail or back panel mounting
Weight	: 250 gm approx.
Certifications	: CE and UL
Immunity to ESD	: as per IEC61000-4-2
Immunity to Fast Transients	: as per IEC61000-4-4
Immunity to Radiated electromagnetic field	: as per IEC61000-4-3
Immunity to Conducted disturbances	: as per IEC61000-4-6
Surge	: as per IEC61000-4-5
Radiated emission	: as per EN61000-6-4

Models :

Series/Model	Technology	Protocol
GWY-00	Serial	Various
GWY-100	LonWorks	LonTalk
GWY-300	CANBUS	CAN (J1939/CANopen)
GWY-500	Profibus	Profibus-DP-V0
GWY-610	Ethernet	Modbus TCP/IP
GWY-800	HART	HART
GWY-900	GSM	Various

Dimensions :

Following sketch shows dimensional details of GWY-610 .



All dimensions are in mm.



FACTORY

Survey No. 2/6, Baner Road, Pune - 411045, India.
 Tel : +91 20 2729 2840 Fax : +91 20 2729 2839
 Email : info@renuelectronics.com
 Website: www.renuelectronics.com

An ISO 9001 : 2008 and ISO 14001 : 2004 certified company