

Using This Retrofit Guide

This document is best viewed with Adobe Reader 6.0. To obtain the latest version of Adobe Reader, visit <http://www.adobe.com>

Specification sheets on Watlow product may be obtained at <http://www.watlow.com/literature/specsheets/>
User Manuals on Watlow product may be obtained at <http://www.watlow.com/literature/prodtechinfo/>
Additional information on other Watlow products may be obtained by visiting <http://www.watlow.com/>

To locate a controller, search on the part number such as 965A-1CD0-00RG. Use the Help feature in Adobe Reader on how to search documents.

If there are multiple listings, then the retrofit is conditional upon field use. Select the appropriate selection. The User's Manual is included at the bottom of this document when available.

Before selecting a replacement controller:

1. Know the application.
 - Temperature range
 - Sensor type
 - Is the sensor upgradable if required?
 - Additional input requirements – remote set points, secondary sensor or events
 - Output required – control, alarm, event
 - Is the power-switching device upgradable?
 - Operating voltage of controller
 - Mounting requirements – panel space
 - Is a safety limit device required?
2. Know the product.
 - Inputs – type and number of
 - Control function – direct (cool) or reverse (heat)
 - Outputs – switched DC, SSR, or mechanical relay
 - Communication requirements
 - Which control features are required? (cascade, slidewire, differential, remote control, other)
3. Use your best judgment for selecting a replacement controller. All applications require close examination of input, output and the control mode needs to have the controller function properly.
4. Safety: Remember to make sure all redundant safety equipment is in place and working when retrofitting equipment. If a system has been retrofitted without the proper safety equipment, you could be liable if an accident occurs.

This is only a guide to replacement controllers. If you have doubts, please call (507) 454-5300 and ask for technical support or email wintechsupport@watlow.com. We're here to help. The suggested replacement will differ in fit and form. Please review the replacement controller specifications for suitability. Carefully check the notes for additional information that may apply.

Your comments or suggestions on the Retrofit Guide are welcome. Please send comments or corrections to: Technical Writer, Watlow Controls, 1241 Bundy Boulevard, P.O. Box 5580, Winona, MN 55987-5580; phone (507) 454-5300; fax (507) 452-4507. This Retrofit Guide is copyrighted by Watlow Winona, Inc., © February 2004 with all rights reserved. (1455)

Abbreviation & Terminology

(as used in this document)

0.5 – 0.5 amperes of current switching capability

2A – 2 amperes of current switching capability

5A - 5 amperes of current switching capability

10A – 10 amperes of current switching capability

15A – 15 amperes of current switching capability

12-24 – Supply voltage can be between 12 to 24 Volts

100-240 – Supply voltage can be between 100 to 240 Volts

100 ohm DIN – refers to 100-ohm platinum RTD that has a DIN curve.

100 ohm JIS – refers to 100-ohm platinum RTD that has a JIS curve.

1/32 DIN – Deutsche Industrial Norm standard for panel mounted controller, hole size is cut to 1.78”w x 0.88”h.

1/16 DIN – Deutsche Industrial Norm standard for panel mounted controller, hole size is cut to 1.78”w x 1.77”h.

1/8V DIN – Deutsche Industrial Norm standard for panel mounted controller, hole size is cut to 1.78”w x 3.63”h.

1/8H DIN – Deutsche Industrial Norm standard for panel mounted controller, hole size is cut to 3.63”w x 1.77”h”

1/8S DIN – Deutsche Industrial Norm standard for panel mounted controller, hole size is cut to 2.68”w x 2.68”h.

¼ DIN – Deutsche Industrial Norm standard for panel mounted controller, hole size is cut to 3.63”w x 3.63”h.

Action – determines the direction of control. Heat (reverse acting) or Cool (direct acting).

Auto Reset – the limit will automatically reset on a power cycle but requires manual reset on limit trip.

Cascade – a control algorithm in which the output of one control loop provides a set point for another loop. The second loop, in turn, determines the control action.

Ch – Channel refers to an analog input. There are single and dual channel controllers.

Control Mode – the method that a controller uses to switch the outputs such as PID, ON/OFF, and Manual.

Differential - control algorithm in which the output is based on the difference of the inputs plus set point.

DIN – Deutsche Industrial Norm, a set of technical, scientific and dimensional standards developed in Germany. RTD sensors with the DIN curve change resistance at a rate of 0.00385 ohms/ohms/C.

DIN Rail – standard DIN EN50022 mounting method for attaching devices onto a metal rail.

Fixed – refers to a set point that is fixed at one value.

High Limit - device will deactivate output on a temperature rise above set point.

Inductive Load – any device that has a wire winding such as solenoids, electromechanical relays or transformers.

Input – refers to the sensor types that may be connected.

Integral – the set point in integral (on board) to the controller.

JIS – Joint Industrial Standards, a set of technical, scientific and dimensional standards developed in Japan. RTD sensors with the JIS curve change resistance at a rate of 0.00396 ohms/ohms/C.

Line Voltage – the voltage required powering the electronics of the controller.

Low Limit - device will deactivate output on a temperature drop below set point.

On/Off – a method of control that turns the output full on until set point is reached and then off until the process error exceeds the hysteresis.

Open Brd – the form factor of this controller is an open circuit board mounted on four standoffs.

Manual Reset – the limit must be reset on a power cycle and requires manual reset on limit trip.

Multi RSP – multiple remote set potentiometers were supported. Each allowed the set point to be selected and adjusted.

Relay – refers to an electromechanical relay.

Remote – set point is adjusted using a remote potentiometer.

Panel – the form factor of this controller is mounted through a hole cut in the panel.

PI – Proportional and Integral, a control mode with two functions: proportional action dampens the systems response, and integral corrects for droop.

PID – Proportional, Integral, and Derivative, a control mode with three functions: proportional action dampens the systems response, integral corrects for droop, and derivative prevents overshoot and undershoot.

Potted – the circuit board and electronics are encased in epoxy.

Proc – Process input may accept 0-5, 1-5, 0-10 volts or 0-20 and 4-20 mA.

Profiling – Controller will perform a sequence of programmed steps.

Programmable – The feature is changeable in the field through jumpers and/or parameter selection.

RTD – Resistance Temperature Detector, a sensor that is 100 ohms at 0 degrees C and made of platinum material.

SSR – Solid State Relay, these devices will switch AC voltage only and require a load to latch on.

Sw DC – Switched DC, a time proportioning DC output used to drive DC input solid state relays.

t/c – Thermocouple sensor device made by joining two dissimilar metals whose standards is identified by a letter.

Temp Range – the range over which the controller could have the set point adjustment.

Thermistor – a sensor that changes resistance as the temperature changes. Similar but not the same as an RTD.

Universal – Input can be a thermocouple, 100 ohm DIN RTD or process (volts or milliamperes)

VAC – Volts Alternating Current

VAC/DC- Volts Alternating Current or Direct Current

VDC – Volts Direct Current

VTB Sw DC – Variable Time Base Switched Direct Current, a time proportioning DC output where the cycle time is variable.

These notes are used to signify areas of concern in changing to a retrofit choice. These notes are also printed at the end of the retrofit listing.

- Note 1: Retrofit controller requires a substitution of a 100 Ohm RTD sensor for the thermistor.
- Note 2: Mounting and dimensions of retrofit controller are different. Verify that sufficient panel space and depth is available.
- Note 3: Retrofit controller outputs are different. Add external interposing mechanical or solid state relay if applicable.
- Note 4: Retrofit controller has a programmable, not fixed set point. Lock set point using controller's lockout parameter.
- Note 5: For DIN rail mounting or sub-panel mounting, purchase DIN rail adapter p/n 0822-0586-P001 for 1/32 DIN or p/n 0822-0586-P002 for 1/16 DIN.
- Note 6: Add a suppressor, Watlow p/n 0804-0147-0000, for inductive loads.
- Note 7: Retrofit does not have equivalent action (as example, no manual reset)
- Note 8: Retrofit controller does not have dual dial scale.
- Note 9: Hardware lockout is not available on retrofit.
- Note 10: Retrofit controller does not have user selectable line voltage.
- Note 11: Retrofit does not support remote set point or retransmit. Check if pins 13, 14, 15 or 16 have termination. If wires are on these pins, select a different retrofit.
- Note 12: Retrofit controller does not have user selectable control action.
- Note 13: Solid state sensor required for humidity. See <http://www.vaisala.com>
- Note 14: Retrofit controller does not have user selectable control mode.
- Note 15: Use auxiliary event board A007-1732-F4B8
- Note 16: Retrofit communications are different, consult specifications.
- Note 17: Verify retrofit input range matches application.

DIN-a-mite

<u>DIN-a-mite</u>	<u>Line Voltage</u>	<u>Input</u>	<u>Control Mode</u>	<u>Action</u>	<u>Output</u>	<u>Mounting</u>	<u>Retrofit</u>
DA1C-1602-C000	20 to 50 VAC	4.5 to 32 VDC	Single Phase	Zero Cross	16 Amps AC @ 50°C	DIN Rail	DA10-02C0-0000
DA1C-1602-K100	20 to 50 VAC	24 VAC	Single Phase	Zero Cross	16 Amps AC @ 50°C	DIN Rail	DA10-02K1-0000
DA1C-1602-K200	20 to 50 VAC	120 VAC	Single Phase	Zero Cross	16 Amps AC @ 50°C	DIN Rail	DA10-02K2-0000
DA1C-1602-K300	20 to 50 VAC	240 VAC	Single Phase	Zero Cross	16 Amps AC @ 50°C	DIN Rail	DA10-02K3-0000
DA1C-1624-C000	120 to 240 VAC	4.5 to 32 VDC	Single Phase	Zero Cross	16 Amps AC @ 50°C	DIN Rail	DA10-24C0-0000
DA1C-1624-K100	120 to 240 VAC	24 VAC	Single Phase	Zero Cross	16 Amps AC @ 50°C	DIN Rail	DA10-24K1-0000
DA1C-1624-K200	120 to 240 VAC	120 VAC	Single Phase	Zero Cross	16 Amps AC @ 50°C	DIN Rail	DA10-24K2-0000
DA1C-1624-K300	120 to 240 VAC	240 VAC	Single Phase	Zero Cross	16 Amps AC @ 50°C	DIN Rail	DA10-24K3-0000
DA1C-1660-C000	277 to 600 VAC	4.5 to 32 VDC	Single Phase	Zero Cross	16 Amps AC @ 50°C	DIN Rail	DA10-60C0-0000
DA1C-1660-K100	277 to 600 VAC	24 VAC	Single Phase	Zero Cross	16 Amps AC @ 50°C	DIN Rail	DA10-60K1-0000
DA1C-1660-K200	277 to 600 VAC	120 VAC	Single Phase	Zero Cross	16 Amps AC @ 50°C	DIN Rail	DA10-60K2-0000
DA1C-1660-K300	277 to 600 VAC	240 VAC	Single Phase	Zero Cross	16 Amps AC @ 50°C	DIN Rail	DA10-60K3-0000
DA1V-1602-F000	20 to 50 VAC	4 - 20 mA DC	Single Phase	Zero Cross	16 Amps AC @ 50°C	DIN Rail	DA10-02F0-0000
DA1V-1624-F000	120 to 240 VAC	4 - 20 mA DC	Single Phase	Zero Cross	16 Amps AC @ 50°C	DIN Rail	DA10-24F0-0000
DA1V-1660-F000	277 to 600 VAC	4 - 20 mA DC	Single Phase	Zero Cross	16 Amps AC @ 50°C	DIN Rail	DA10-60F0-0000
DB1C-3002-C000	120 to 240 VAC	4.5 to 32 VDC	Single Phase	Zero Cross	30 Amps AC @ 50°C	DIN Rail	DB10-02C0-0000
DB1C-3002-C0S0	120 to 240 VAC	4.5 to 32 VDC	Single Phase	Zero Cross	30 Amps AC @ 50°C	DIN Rail	DB10-02C0-S000
DB1C-3002-K100	120 to 240 VAC	24 VAC	Single Phase	Zero Cross	30 Amps AC @ 50°C	DIN Rail	DB10-02K1-0000
DB1C-3002-K1S0	120 to 240 VAC	24 VAC	Single Phase	Zero Cross	30 Amps AC @ 50°C	DIN Rail	DB10-02K1-S000
DB1C-3002-K200	120 to 240 VAC	120 VAC	Single Phase	Zero Cross	30 Amps AC @ 50°C	DIN Rail	DB10-02K2-0000
DB1C-3002-K2S0	120 to 240 VAC	120 VAC	Single Phase	Zero Cross	30 Amps AC @ 50°C	DIN Rail	DB10-02K2-S000
DB1C-3002-K300	120 to 240 VAC	240 VAC	Single Phase	Zero Cross	30 Amps AC @ 50°C	DIN Rail	DB10-02K3-0000
DB1C-3002-K3S0	120 to 240 VAC	240 VAC	Single Phase	Zero Cross	30 Amps AC @ 50°C	DIN Rail	DB10-02K3-S000
DB1C-3024-C000	120 to 240 VAC	4.5 to 32 VDC	Single Phase	Zero Cross	30 Amps AC @ 50°C	DIN Rail	DB10-24C0-0000
DB1C-3024-C0S0	120 to 240 VAC	4.5 to 32 VDC	Single Phase	Zero Cross	30 Amps AC @ 50°C	DIN Rail	DB10-24C0-S000
DB1C-3024-K100	120 to 240 VAC	24 VAC	Single Phase	Zero Cross	30 Amps AC @ 50°C	DIN Rail	DB10-24K1-0000
DB1C-3024-K1S0	120 to 240 VAC	24 VAC	Single Phase	Zero Cross	30 Amps AC @ 50°C	DIN Rail	DB10-24K1-S000
DB1C-3024-K200	120 to 240 VAC	120 VAC	Single Phase	Zero Cross	30 Amps AC @ 50°C	DIN Rail	DB10-24K2-0000
DB1C-3024-K2S0	120 to 240 VAC	120 VAC	Single Phase	Zero Cross	30 Amps AC @ 50°C	DIN Rail	DB10-24K2-S000
DB1C-3024-K300	120 to 240 VAC	240 VAC	Single Phase	Zero Cross	30 Amps AC @ 50°C	DIN Rail	DB10-24K3-0000
DB1C-3024-K3S0	120 to 240 VAC	240 VAC	Single Phase	Zero Cross	30 Amps AC @ 50°C	DIN Rail	DB10-24K3-S000
DB1C-3060-C000	277 to 600 VAC	4.5 to 32 VDC	Single Phase	Zero Cross	30 Amps AC @ 50°C	DIN Rail	DB10-60C0-0000
DB1C-3060-C0S0	277 to 600 VAC	4.5 to 32 VDC	Single Phase	Zero Cross	30 Amps AC @ 50°C	DIN Rail	DB10-60C0-S000
DB1C-3060-K100	277 to 600 VAC	24 VAC	Single Phase	Zero Cross	30 Amps AC @ 50°C	DIN Rail	DB10-60K1-0000
DB1C-3060-K1S0	277 to 600 VAC	24 VAC	Single Phase	Zero Cross	30 Amps AC @ 50°C	DIN Rail	DB10-60K1-S000

DIN-a-mite

DB1C-3060-K200	277 to 600 VAC	120 VAC	Single Phase	Zero Cross	30 Amps AC @ 50°C	DIN Rail	DB10-60K2-0000
DB1C-3060-K2S0	277 to 600 VAC	120 VAC	Single Phase	Zero Cross	30 Amps AC @ 50°C	DIN Rail	DB10-60K2-S000
DB1C-3060-K300	277 to 600 VAC	240 VAC	Single Phase	Zero Cross	30 Amps AC @ 50°C	DIN Rail	DB10-60K3-0000
DB1V-3002-F000	20 to 50 VAC	4 - 20 mA DC	Single Phase	Zero Cross	30 Amps AC @ 50°C	DIN Rail	DB10-02F0-0000
DB1V-3002-F0S0	20 to 50 VAC	4 - 20 mA DC	Single Phase	Zero Cross	30 Amps AC @ 50°C	DIN Rail	DB10-02F0-S000
DB1V-3024-F000	120 to 240 VAC	4 - 20 mA DC	Single Phase	Zero Cross	30 Amps AC @ 50°C	DIN Rail	DB10-24F0-0000
DB1V-3024-F0S0	120 to 240 VAC	4 - 20 mA DC	Single Phase	Zero Cross	30 Amps AC @ 50°C	DIN Rail	DB10-24F0-S000
DB1V-3060-F000	277 to 600 VAC	4 - 20 mA DC	Single Phase	Zero Cross	30 Amps AC @ 50°C	DIN Rail	DB10-60F0-0000
DB1V-3060-F0S0	277 to 600 VAC	4 - 20 mA DC	Single Phase	Zero Cross	30 Amps AC @ 50°C	DIN Rail	DB10-60F0-S000
DB2C-2024-C000	120 to 240 VAC	4.5 to 32 VDC	3 Phase, 2 leg	Zero Cross	20 Amps AC @ 50°C	DIN Rail	DB20-24C0-0000
DB2C-2024-C0S0	120 to 240 VAC	4.5 to 32 VDC	3 Phase, 2 leg	Zero Cross	20 Amps AC @ 50°C	DIN Rail	DB20-24C0-S000
DB2C-2024-C200	120 to 240 VAC	4.5 to 32 VDC	2 Independent	Zero Cross	20 Amps AC @ 50°C	DIN Rail	DB80-24C0-0000
DB2C-2024-K100	120 to 240 VAC	24 VAC	3 Phase, 2 leg	Zero Cross	20 Amps AC @ 50°C	DIN Rail	DB20-24K1-0000
DB2C-2024-K1S0	120 to 240 VAC	24 VAC	3 Phase, 2 leg	Zero Cross	20 Amps AC @ 50°C	DIN Rail	DB20-24K1-S000
DB2C-2024-K200	120 to 240 VAC	120 VAC	3 Phase, 2 leg	Zero Cross	20 Amps AC @ 50°C	DIN Rail	DB20-24K2-0000
DB2C-2024-K2S0	120 to 240 VAC	120 VAC	3 Phase, 2 leg	Zero Cross	20 Amps AC @ 50°C	DIN Rail	DB20-24K2-S000
DB2C-2024-K300	120 to 240 VAC	240 VAC	3 Phase, 2 leg	Zero Cross	20 Amps AC @ 50°C	DIN Rail	DB20-24K3-0000
DB2C-2024-K3S0	120 to 240 VAC	240 VAC	3 Phase, 2 leg	Zero Cross	20 Amps AC @ 50°C	DIN Rail	DB20-24K3-S000
DB2C-2024-K400	120 to 240 VAC	120 VAC	2 Independent	Zero Cross	20 Amps AC @ 50°C	DIN Rail	DB80-24K2-0000
DB2C-2024-K500	120 to 240 VAC	240 VAC	2 Independent	Zero Cross	20 Amps AC @ 50°C	DIN Rail	DB80-24K2-0000
DB2C-2024-K600	120 to 240 VAC	24 VAC	2 Independent	Zero Cross	20 Amps AC @ 50°C	DIN Rail	DB80-24K1-0000
DB2C-2060-C000	277 to 600 VAC	4.5 to 32 VDC	3 Phase, 2 leg	Zero Cross	20 Amps AC @ 50°C	DIN Rail	DB20-60C0-0000
DB2C-2060-C0S0	277 to 600 VAC	4.5 to 32 VDC	3 Phase, 2 leg	Zero Cross	20 Amps AC @ 50°C	DIN Rail	DB20-60C0-S000
DB2C-2060-C200	277 to 600 VAC	4.5 to 32 VDC	2 Independent	Zero Cross	20 Amps AC @ 50°C	DIN Rail	DB80-60C0-0000
DB2C-2060-K100	277 to 600 VAC	24 VAC	3 Phase, 2 leg	Zero Cross	20 Amps AC @ 50°C	DIN Rail	DB20-60K1-0000
DB2C-2060-K1S0	277 to 600 VAC	24 VAC	3 Phase, 2 leg	Zero Cross	20 Amps AC @ 50°C	DIN Rail	DB20-60K1-S000
DB2C-2060-K200	277 to 600 VAC	120 VAC	3 Phase, 2 leg	Zero Cross	20 Amps AC @ 50°C	DIN Rail	DB20-60K2-0000
DB2C-2060-K2S0	277 to 600 VAC	120 VAC	3 Phase, 2 leg	Zero Cross	20 Amps AC @ 50°C	DIN Rail	DB20-60K2-S000
DB2C-2060-K300	277 to 600 VAC	240 VAC	3 Phase, 2 leg	Zero Cross	20 Amps AC @ 50°C	DIN Rail	DB20-60K3-0000
DB2C-2060-K3S0	277 to 600 VAC	240 VAC	3 Phase, 2 leg	Zero Cross	20 Amps AC @ 50°C	DIN Rail	DB20-60K3-S000
DB2C-2060-K400	277 to 600 VAC	120 VAC	2 Independent	Zero Cross	20 Amps AC @ 50°C	DIN Rail	DB80-60K2-0000
DB2C-2060-K500	277 to 600 VAC	240 VAC	2 Independent	Zero Cross	20 Amps AC @ 50°C	DIN Rail	DB80-60K3-0000
DB2C-2060-K600	277 to 600 VAC	24 VAC	2 Independent	Zero Cross	20 Amps AC @ 50°C	DIN Rail	DB80-60K1-0000
DB2V-2024-F000	120 to 240 VAC	4 - 20 mA DC	3 Phase, 2 leg	Zero Cross	20 Amps AC @ 50°C	DIN Rail	DB20-24F0-0000
DB2V-2024-F0S0	120 to 240 VAC	4 - 20 mA DC	3 Phase, 2 leg	Zero Cross	20 Amps AC @ 50°C	DIN Rail	DB20-24F0-S000
DB2V-2060-F000	277 to 600 VAC	4 - 20 mA DC	3 Phase, 2 leg	Zero Cross	20 Amps AC @ 50°C	DIN Rail	DB20-60F0-0000
DB2V-2060-F0S0	277 to 600 VAC	4 - 20 mA DC	3 Phase, 2 leg	Zero Cross	20 Amps AC @ 50°C	DIN Rail	DB20-60F0-S000

DIN-a-mite

DB3C-1524-C000	120 to 240 VAC	4.5 to 32 VDC	3 Phase, 2 leg	Zero Cross	15 Amps AC @ 50°C	DIN Rail	DB30-24C0-0000
DB3C-1524-C0S0	120 to 240 VAC	4.5 to 32 VDC	3 Phase, 3 leg	Zero Cross	15 Amps AC @ 50°C	DIN Rail	DB30-24C0-S000
DB3C-1524-C300	120 to 240 VAC	4.5 to 32 VDC	3 Independent	Zero Cross	15 Amps AC @ 50°C	DIN Rail	DB90-24C0-0000
DB3C-1524-K100	120 to 240 VAC	24 VAC	3 Phase, 3 leg	Zero Cross	15 Amps AC @ 50°C	DIN Rail	DB30-24K1-0000
DB3C-1524-K1S0	120 to 240 VAC	24 VAC	3 Phase, 3 leg	Zero Cross	15 Amps AC @ 50°C	DIN Rail	DB30-24K1-S000
DB3C-1524-K200	120 to 240 VAC	120 VAC	3 Phase, 3 leg	Zero Cross	15 Amps AC @ 50°C	DIN Rail	DB30-24K2-0000
DB3C-1524-K2S0	120 to 240 VAC	120 VAC	3 Phase, 3 leg	Zero Cross	15 Amps AC @ 50°C	DIN Rail	DB30-24K2-S000
DB3C-1524-K300	120 to 240 VAC	240 VAC	3 Phase, 3 leg	Zero Cross	15 Amps AC @ 50°C	DIN Rail	DB30-24K3-0000
DB3C-1524-K3S0	120 to 240 VAC	240 VAC	3 Phase, 3 leg	Zero Cross	15 Amps AC @ 50°C	DIN Rail	DB30-24K3-S000
DB3C-1524-K700	120 to 240 VAC	120 VAC	3 Independent	Zero Cross	15 Amps AC @ 50°C	DIN Rail	DB90-24K2-0000
DB3C-1524-K800	120 to 240 VAC	240 VAC	3 Independent	Zero Cross	15 Amps AC @ 50°C	DIN Rail	DB90-24K3-0000
DB3C-1524-K900	120 to 240 VAC	24 VAC	3 Independent	Zero Cross	15 Amps AC @ 50°C	DIN Rail	DB90-24K1-0000
DB3C-1560-C000	277 to 600 VAC	4.5 to 32 VDC	3 Phase, 3 leg	Zero Cross	15 Amps AC @ 50°C	DIN Rail	DB30-60C0-0000
DB3C-1560-C0S0	277 to 600 VAC	4.5 to 32 VDC	3 Phase, 3 leg	Zero Cross	15 Amps AC @ 50°C	DIN Rail	DB30-60C0-S000
DB3C-1560-C300	277 to 600 VAC	4.5 to 32 VDC	3 Independent	Zero Cross	15 Amps AC @ 50°C	DIN Rail	DB90-60C0-0000
DB3C-1560-K100	277 to 600 VAC	24 VAC	3 Phase, 3 leg	Zero Cross	15 Amps AC @ 50°C	DIN Rail	DB30-60K1-0000
DB3C-1560-K1S0	277 to 600 VAC	24 VAC	3 Phase, 3 leg	Zero Cross	15 Amps AC @ 50°C	DIN Rail	DB30-60K1-S000
DB3C-1560-K200	277 to 600 VAC	120 VAC	3 Phase, 3 leg	Zero Cross	15 Amps AC @ 50°C	DIN Rail	DB30-60K2-0000
DB3C-1560-K2S0	277 to 600 VAC	120 VAC	3 Phase, 3 leg	Zero Cross	15 Amps AC @ 50°C	DIN Rail	DB30-60K2-S000
DB3C-1560-K300	277 to 600 VAC	240 VAC	3 Phase, 3 leg	Zero Cross	15 Amps AC @ 50°C	DIN Rail	DB30-60K3-0000
DB3C-1560-K3S0	277 to 600 VAC	240 VAC	3 Phase, 3 leg	Zero Cross	15 Amps AC @ 50°C	DIN Rail	DB30-60K3-S000
DB3C-1560-K700	277 to 600 VAC	120 VAC	3 Independent	Zero Cross	15 Amps AC @ 50°C	DIN Rail	DB90-60K2-0000
DB3C-1560-K800	277 to 600 VAC	240 VAC	3 Independent	Zero Cross	15 Amps AC @ 50°C	DIN Rail	DB90-60K3-0000
DB3C-1560-K900	277 to 600 VAC	24 VAC	3 Independent	Zero Cross	15 Amps AC @ 50°C	DIN Rail	DB90-60K1-0000
DB3V-1524-F000	120 to 240 VAC	4 - 20 mA DC	3 Phase, 3 leg	Zero Cross	15 Amps AC @ 50°C	DIN Rail	DB30-24F0-0000
DB3V-1524-F0S0	120 to 240 VAC	4 - 20 mA DC	3 Phase, 3 leg	Zero Cross	15 Amps AC @ 50°C	DIN Rail	DB30-24F0-S000
DB3V-1560-F000	277 to 600 VAC	4 - 20 mA DC	3 Phase, 3 leg	Zero Cross	15 Amps AC @ 50°C	DIN Rail	DB30-60F0-0000
DB3V-1560-F0S0	277 to 600 VAC	4 - 20 mA DC	3 Phase, 3 leg	Zero Cross	15 Amps AC @ 50°C	DIN Rail	DB30-60F0-S000
DC1C-5024-C000	120 to 240 VAC	4.5 to 32 VDC	Single Phase	Zero Cross	50 Amps AC @ 50°C	DIN Rail	DC10-24C0-0000
DC1C-5024-C0S0	120 to 240 VAC	4.5 to 32 VDC	Single Phase	Zero Cross	50 Amps AC @ 50°C	DIN Rail	DC10-24C0-S000
DC1C-5024-K100	120 to 240 VAC	24 VAC	Single Phase	Zero Cross	50 Amps AC @ 50°C	DIN Rail	DC10-24K1-0000
DC1C-5024-K1S0	120 to 240 VAC	24 VAC	Single Phase	Zero Cross	50 Amps AC @ 50°C	DIN Rail	DC10-24K1-S000
DC1C-5024-K200	120 to 240 VAC	120 VAC	Single Phase	Zero Cross	50 Amps AC @ 50°C	DIN Rail	DC10-24K2-0000
DC1C-5024-K2S0	120 to 240 VAC	120 VAC	Single Phase	Zero Cross	50 Amps AC @ 50°C	DIN Rail	DC10-24K2-S000
DC1C-5024-K300	120 to 240 VAC	240 VAC	Single Phase	Zero Cross	50 Amps AC @ 50°C	DIN Rail	DC10-24K3-0000
DC1C-5024-K3S0	120 to 240 VAC	240 VAC	Single Phase	Zero Cross	50 Amps AC @ 50°C	DIN Rail	DC10-24K3-S000
DC1C-5060-C000	277 to 600 VAC	4.5 to 32 VDC	Single Phase	Zero Cross	50 Amps AC @ 50°C	DIN Rail	DC10-60C0-0000

DIN-a-mite

DC1C-5060-C0S0	277 to 600 VAC	4.5 to 32 VDC	Single Phase	Zero Cross	50 Amps AC @ 50°C	DIN Rail	DC10-60C0-S000
DC1C-5060-K100	277 to 600 VAC	24 VAC	Single Phase	Zero Cross	50 Amps AC @ 50°C	DIN Rail	DC10-60K1-0000
DC1C-5060-K1S0	277 to 600 VAC	24 VAC	Single Phase	Zero Cross	50 Amps AC @ 50°C	DIN Rail	DC10-60K1-S000
DC1C-5060-K200	277 to 600 VAC	120 VAC	Single Phase	Zero Cross	50 Amps AC @ 50°C	DIN Rail	DC10-60K2-0000
DC1C-5060-K2S0	277 to 600 VAC	120 VAC	Single Phase	Zero Cross	50 Amps AC @ 50°C	DIN Rail	DC10-60K2-S000
DC1C-5060-K300	277 to 600 VAC	240 VAC	Single Phase	Zero Cross	50 Amps AC @ 50°C	DIN Rail	DC10-60K3-0000
DC1C-5060-K3S0	277 to 600 VAC	240 VAC	Single Phase	Zero Cross	50 Amps AC @ 50°C	DIN Rail	DC10-60K3-S000
DC1C-6024-C00T	120 to 240 VAC	4.5 to 32 VDC	Single Phase	Zero Cross	60 Amps AC @ 50°C	DIN Rail	DC1T-24C0-0000
DC1C-6024-C0ST	120 to 240 VAC	4.5 to 32 VDC	Single Phase	Zero Cross	60 Amps AC @ 50°C	DIN Rail	DC1T-24C0-S000
DC1C-6024-K10T	120 to 240 VAC	24 VAC	Single Phase	Zero Cross	60 Amps AC @ 50°C	DIN Rail	DC1T-24K1-0000
DC1C-6024-K1ST	120 to 240 VAC	24 VAC	Single Phase	Zero Cross	60 Amps AC @ 50°C	DIN Rail	DC1T-24K1-S000
DC1C-6024-K20T	120 to 240 VAC	120 VAC	Single Phase	Zero Cross	60 Amps AC @ 50°C	DIN Rail	DC1T-24K2-0000
DC1C-6024-K2ST	120 to 240 VAC	120 VAC	Single Phase	Zero Cross	60 Amps AC @ 50°C	DIN Rail	DC1T-24K2-S000
DC1C-6024-K30T	120 to 240 VAC	240 VAC	Single Phase	Zero Cross	60 Amps AC @ 50°C	DIN Rail	DC1T-24K3-0000
DC1C-6024-K3ST	120 to 240 VAC	240 VAC	Single Phase	Zero Cross	60 Amps AC @ 50°C	DIN Rail	DC1T-24K3-S000
DC1C-6060-C00T	277 to 600 VAC	4.5 to 32 VDC	Single Phase	Zero Cross	60 Amps AC @ 50°C	DIN Rail	DC1T-60C0-0000
DC1C-6060-C0ST	277 to 600 VAC	4.5 to 32 VDC	Single Phase	Zero Cross	60 Amps AC @ 50°C	DIN Rail	DC1T-60C0-S000
DC1C-6060-K10T	277 to 600 VAC	24 VAC	Single Phase	Zero Cross	60 Amps AC @ 50°C	DIN Rail	DC1T-60K1-0000
DC1C-6060-K1ST	277 to 600 VAC	24 VAC	Single Phase	Zero Cross	60 Amps AC @ 50°C	DIN Rail	DC1T-60K1-S000
DC1C-6060-K20T	277 to 600 VAC	120 VAC	Single Phase	Zero Cross	60 Amps AC @ 50°C	DIN Rail	DC1T-60K2-0000
DC1C-6060-K2ST	277 to 600 VAC	120 VAC	Single Phase	Zero Cross	60 Amps AC @ 50°C	DIN Rail	DC1T-60K2-S000
DC1C-6060-K30T	277 to 600 VAC	240 VAC	Single Phase	Zero Cross	60 Amps AC @ 50°C	DIN Rail	DC1T-60K3-0000
DC1C-6060-K3ST	277 to 600 VAC	240 VAC	Single Phase	Zero Cross	60 Amps AC @ 50°C	DIN Rail	DC1T-60K3-S000
DC1C-6524-C001	120 to 240 VAC	4.5 to 32 VDC	Single Phase	Zero Cross	65 Amps AC @ 50°C	DIN Rail	DC11-24C0-0000
DC1C-6524-C002	120 to 240 VAC	4.5 to 32 VDC	Single Phase	Zero Cross	65 Amps AC @ 50°C	DIN Rail	DC12-24C0-0000
DC1C-6524-C0S1	120 to 240 VAC	4.5 to 32 VDC	Single Phase	Zero Cross	65 Amps AC @ 50°C	DIN Rail	DC11-24C0-S000
DC1C-6524-C0S2	120 to 240 VAC	4.5 to 32 VDC	Single Phase	Zero Cross	65 Amps AC @ 50°C	DIN Rail	DC12-24C0-S000
DC1C-6524-K101	120 to 240 VAC	24 VAC	Single Phase	Zero Cross	65 Amps AC @ 50°C	DIN Rail	DC11-24K1-0000
DC1C-6524-K102	120 to 240 VAC	24 VAC	Single Phase	Zero Cross	65 Amps AC @ 50°C	DIN Rail	DC12-24K1-0000
DC1C-6524-K1S1	120 to 240 VAC	24 VAC	Single Phase	Zero Cross	65 Amps AC @ 50°C	DIN Rail	DC11-24K1-S000
DC1C-6524-K1S2	120 to 240 VAC	24 VAC	Single Phase	Zero Cross	65 Amps AC @ 50°C	DIN Rail	DC12-24K1-S000
DC1C-6524-K201	120 to 240 VAC	120 VAC	Single Phase	Zero Cross	65 Amps AC @ 50°C	DIN Rail	DC11-24K2-0000
DC1C-6524-K202	120 to 240 VAC	120 VAC	Single Phase	Zero Cross	65 Amps AC @ 50°C	DIN Rail	DC12-24K2-0000
DC1C-6524-K2S1	120 to 240 VAC	120 VAC	Single Phase	Zero Cross	65 Amps AC @ 50°C	DIN Rail	DC11-24K2-S000
DC1C-6524-K2S2	120 to 240 VAC	120 VAC	Single Phase	Zero Cross	65 Amps AC @ 50°C	DIN Rail	DC12-24K2-S000
DC1C-6524-K301	120 to 240 VAC	240 VAC	Single Phase	Zero Cross	65 Amps AC @ 50°C	DIN Rail	DC11-24K3-0000
DC1C-6524-K302	120 to 240 VAC	240 VAC	Single Phase	Zero Cross	65 Amps AC @ 50°C	DIN Rail	DC12-24K3-0000

DIN-a-mite

DC1C-6524-K3S1	120 to 240 VAC	240 VAC	Single Phase	Zero Cross	65 Amps AC @ 50°C	DIN Rail	DC11-24K3-S000
DC1C-6524-K3S2	120 to 240 VAC	240 VAC	Single Phase	Zero Cross	65 Amps AC @ 50°C	DIN Rail	DC12-24K3-S000
DC1C-6560-C001	277 to 600 VAC	4.5 to 32 VDC	Single Phase	Zero Cross	65 Amps AC @ 50°C	DIN Rail	DC11-60C0-0000
DC1C-6560-C002	277 to 600 VAC	4.5 to 32 VDC	Single Phase	Zero Cross	65 Amps AC @ 50°C	DIN Rail	DC12-60C0-0000
DC1C-6560-C0S1	277 to 600 VAC	4.5 to 32 VDC	Single Phase	Zero Cross	65 Amps AC @ 50°C	DIN Rail	DC11-60C0-S000
DC1C-6560-C0S2	277 to 600 VAC	4.5 to 32 VDC	Single Phase	Zero Cross	65 Amps AC @ 50°C	DIN Rail	DC12-60C0-S000
DC1C-6560-K101	277 to 600 VAC	24 VAC	Single Phase	Zero Cross	65 Amps AC @ 50°C	DIN Rail	DC11-60K1-0000
DC1C-6560-K102	277 to 600 VAC	24 VAC	Single Phase	Zero Cross	65 Amps AC @ 50°C	DIN Rail	DC12-60K1-0000
DC1C-6560-K1S1	277 to 600 VAC	24 VAC	Single Phase	Zero Cross	65 Amps AC @ 50°C	DIN Rail	DC11-60K1-S000
DC1C-6560-K1S2	277 to 600 VAC	24 VAC	Single Phase	Zero Cross	65 Amps AC @ 50°C	DIN Rail	DC12-60K1-S000
DC1C-6560-K201	277 to 600 VAC	120 VAC	Single Phase	Zero Cross	65 Amps AC @ 50°C	DIN Rail	DC11-60K2-0000
DC1C-6560-K202	277 to 600 VAC	120 VAC	Single Phase	Zero Cross	65 Amps AC @ 50°C	DIN Rail	DC12-60K2-0000
DC1C-6560-K2S1	277 to 600 VAC	120 VAC	Single Phase	Zero Cross	65 Amps AC @ 50°C	DIN Rail	DC11-60K2-S000
DC1C-6560-K2S2	277 to 600 VAC	120 VAC	Single Phase	Zero Cross	65 Amps AC @ 50°C	DIN Rail	DC12-60K2-S000
DC1C-6560-K301	277 to 600 VAC	240 VAC	Single Phase	Zero Cross	65 Amps AC @ 50°C	DIN Rail	DC11-60K3-0000
DC1C-6560-K302	277 to 600 VAC	240 VAC	Single Phase	Zero Cross	65 Amps AC @ 50°C	DIN Rail	DC12-60K3-0000
DC1C-6560-K3S1	277 to 600 VAC	240 VAC	Single Phase	Zero Cross	65 Amps AC @ 50°C	DIN Rail	DC11-60K3-S000
DC1C-6560-K3S2	277 to 600 VAC	240 VAC	Single Phase	Zero Cross	65 Amps AC @ 50°C	DIN Rail	DC12-60K3-S000
DC1L-5012-F000	120 VAC	4 - 20 mA DC	Single Phase	Phase Angle	50 Amps AC @ 50°C	DIN Rail	DC10-12L0-0000
DC1L-5012-V100	120 VAC	0 - 5 VDC	Single Phase	Phase Angle	50 Amps AC @ 50°C	DIN Rail	DC10-12L3-0000
DC1L-5012-V200	120 VAC	1 - 5 VDC	Single Phase	Phase Angle	50 Amps AC @ 50°C	DIN Rail	DC10-12L4-0000
DC1L-5012-V300	120 VAC	0 - 10 VDC	Single Phase	Phase Angle	50 Amps AC @ 50°C	DIN Rail	DC10-12L5-0000
DC1L-5020-F000	208 VAC	4 - 20 mA DC	Single Phase	Phase Angle	50 Amps AC @ 50°C	DIN Rail	DC10-20L0-0000
DC1L-5020-V100	208 VAC	0 - 5 VDC	Single Phase	Phase Angle	50 Amps AC @ 50°C	DIN Rail	DC10-20L3-0000
DC1L-5020-V200	208 VAC	1 - 5 VDC	Single Phase	Phase Angle	50 Amps AC @ 50°C	DIN Rail	DC10-20L4-0000
DC1L-5020-V300	208 VAC	0 - 10 VDC	Single Phase	Phase Angle	50 Amps AC @ 50°C	DIN Rail	DC10-20L5-0000
DC1L-5024-F000	240 VAC	4 - 20 mA DC	Single Phase	Phase Angle	50 Amps AC @ 50°C	DIN Rail	DC10-24L0-0000
DC1L-5024-V100	240 VAC	0 - 5 VDC	Single Phase	Phase Angle	50 Amps AC @ 50°C	DIN Rail	DC10-24L3-0000
DC1L-5024-V200	240 VAC	1 - 5 VDC	Single Phase	Phase Angle	50 Amps AC @ 50°C	DIN Rail	DC10-24L4-0000
DC1L-5024-V300	240 VAC	0 - 10 VDC	Single Phase	Phase Angle	50 Amps AC @ 50°C	DIN Rail	DC10-24L5-0000
DC1L-5027-F000	277 VAC	4 - 20 mA DC	Single Phase	Phase Angle	50 Amps AC @ 50°C	DIN Rail	DC10-27L0-0000
DC1L-5027-V100	277 VAC	0 - 5 VDC	Single Phase	Phase Angle	50 Amps AC @ 50°C	DIN Rail	DC10-27L3-0000
DC1L-5027-V200	277 VAC	1 - 5 VDC	Single Phase	Phase Angle	50 Amps AC @ 50°C	DIN Rail	DC10-27L4-0000
DC1L-5027-V300	277 VAC	0 - 10 VDC	Single Phase	Phase Angle	50 Amps AC @ 50°C	DIN Rail	DC10-27L5-0000
DC1L-5040-F000	400 VAC	4 - 20 mA DC	Single Phase	Phase Angle	50 Amps AC @ 50°C	DIN Rail	DC10-40L0-0000
DC1L-5040-V100	400 VAC	0 - 5 VDC	Single Phase	Phase Angle	50 Amps AC @ 50°C	DIN Rail	DC10-40L3-0000
DC1L-5040-V200	400 VAC	1 - 5 VDC	Single Phase	Phase Angle	50 Amps AC @ 50°C	DIN Rail	DC10-40L4-0000

DIN-a-mite

DC1L-5040-V300	400 VAC	0 - 10 VDC	Single Phase	Phase Angle	50 Amps AC @ 50°C	DIN Rail	DC10-40L5-0000
DC1L-5048-F000	480 VAC	4 - 20 mA DC	Single Phase	Phase Angle	50 Amps AC @ 50°C	DIN Rail	DC10-48L0-0000
DC1L-5048-V100	480 VAC	0 - 5 VDC	Single Phase	Phase Angle	50 Amps AC @ 50°C	DIN Rail	DC10-48L3-0000
DC1L-5048-V200	480 VAC	1 - 5 VDC	Single Phase	Phase Angle	50 Amps AC @ 50°C	DIN Rail	DC10-48L4-0000
DC1L-5048-V300	480 VAC	0 - 10 VDC	Single Phase	Phase Angle	50 Amps AC @ 50°C	DIN Rail	DC10-48L5-0000
DC1L-6012-F00T	120 VAC	4 - 20 mA DC	Single Phase	Phase Angle	60 Amps AC @ 50°C	DIN Rail	DC1T-12L0-0000
DC1L-6012-V10T	120 VAC	0 - 5 VDC	Single Phase	Phase Angle	60 Amps AC @ 50°C	DIN Rail	DC1T-12L3-0000
DC1L-6012-V20T	120 VAC	1 - 5 VDC	Single Phase	Phase Angle	60 Amps AC @ 50°C	DIN Rail	DC1T-12L4-0000
DC1L-6012-V30T	120 VAC	0 - 10 VDC	Single Phase	Phase Angle	60 Amps AC @ 50°C	DIN Rail	DC1T-12L5-0000
DC1L-6020-F00T	208 VAC	4 - 20 mA DC	Single Phase	Phase Angle	60 Amps AC @ 50°C	DIN Rail	DC1T-20L0-0000
DC1L-6020-V10T	208 VAC	0 - 5 VDC	Single Phase	Phase Angle	60 Amps AC @ 50°C	DIN Rail	DC1T-20L3-0000
DC1L-6020-V20T	208 VAC	1 - 5 VDC	Single Phase	Phase Angle	60 Amps AC @ 50°C	DIN Rail	DC1T-20L4-0000
DC1L-6020-V30T	208 VAC	0 - 10 VDC	Single Phase	Phase Angle	60 Amps AC @ 50°C	DIN Rail	DC1T-20L5-0000
DC1L-6024-F00T	240 VAC	4 - 20 mA DC	Single Phase	Phase Angle	60 Amps AC @ 50°C	DIN Rail	DC1T-24L0-0000
DC1L-6024-V10T	240 VAC	0 - 5 VDC	Single Phase	Phase Angle	60 Amps AC @ 50°C	DIN Rail	DC1T-24L3-0000
DC1L-6024-V20T	240 VAC	1 - 5 VDC	Single Phase	Phase Angle	60 Amps AC @ 50°C	DIN Rail	DC1T-24L4-0000
DC1L-6024-V30T	240 VAC	0 - 10 VDC	Single Phase	Phase Angle	60 Amps AC @ 50°C	DIN Rail	DC1T-24L5-0000
DC1L-6027-F00T	277 VAC	4 - 20 mA DC	Single Phase	Phase Angle	60 Amps AC @ 50°C	DIN Rail	DC1T-27L0-0000
DC1L-6027-V10T	277 VAC	0 - 5 VDC	Single Phase	Phase Angle	60 Amps AC @ 50°C	DIN Rail	DC1T-27L3-0000
DC1L-6027-V20T	277 VAC	1 - 5 VDC	Single Phase	Phase Angle	60 Amps AC @ 50°C	DIN Rail	DC1T-27L4-0000
DC1L-6027-V30T	277 VAC	0 - 10 VDC	Single Phase	Phase Angle	60 Amps AC @ 50°C	DIN Rail	DC1T-27L5-0000
DC1L-6040-F00T	400 VAC	4 - 20 mA DC	Single Phase	Phase Angle	60 Amps AC @ 50°C	DIN Rail	DC1T-40L0-0000
DC1L-6040-V10T	400 VAC	0 - 5 VDC	Single Phase	Phase Angle	60 Amps AC @ 50°C	DIN Rail	DC1T-40L3-0000
DC1L-6040-V20T	400 VAC	1 - 5 VDC	Single Phase	Phase Angle	60 Amps AC @ 50°C	DIN Rail	DC1T-40L4-0000
DC1L-6040-V30T	400 VAC	0 - 10 VDC	Single Phase	Phase Angle	60 Amps AC @ 50°C	DIN Rail	DC1T-40L5-0000
DC1L-6048-F00T	480 VAC	4 - 20 mA DC	Single Phase	Phase Angle	60 Amps AC @ 50°C	DIN Rail	DC1T-48L0-0000
DC1L-6048-V10T	480 VAC	0 - 5 VDC	Single Phase	Phase Angle	60 Amps AC @ 50°C	DIN Rail	DC1T-48L3-0000
DC1L-6048-V20T	480 VAC	1 - 5 VDC	Single Phase	Phase Angle	60 Amps AC @ 50°C	DIN Rail	DC1T-48L4-0000
DC1L-6048-V30T	480 VAC	0 - 10 VDC	Single Phase	Phase Angle	60 Amps AC @ 50°C	DIN Rail	DC1T-48L5-0000
DC1L-6512-F001	120 VAC	4 - 20 mA DC	Single Phase	Phase Angle	65 Amps AC @ 50°C	DIN Rail	DC11-12L0-0000
DC1L-6512-F002	120 VAC	4 - 20 mA DC	Single Phase	Phase Angle	65 Amps AC @ 50°C	DIN Rail	DC12-12L0-0000
DC1L-6512-V101	120 VAC	0 - 5 VDC	Single Phase	Phase Angle	65 Amps AC @ 50°C	DIN Rail	DC11-12L3-0000
DC1L-6512-V102	120 VAC	0 - 5 VDC	Single Phase	Phase Angle	65 Amps AC @ 50°C	DIN Rail	DC12-12L3-0000
DC1L-6512-V201	120 VAC	1 - 5 VDC	Single Phase	Phase Angle	65 Amps AC @ 50°C	DIN Rail	DC11-12L4-0000
DC1L-6512-V202	120 VAC	1 - 5 VDC	Single Phase	Phase Angle	65 Amps AC @ 50°C	DIN Rail	DC12-12L4-0000
DC1L-6512-V301	120 VAC	0 - 10 VDC	Single Phase	Phase Angle	65 Amps AC @ 50°C	DIN Rail	DC11-12L5-0000
DC1L-6512-V302	120 VAC	0 - 10 VDC	Single Phase	Phase Angle	65 Amps AC @ 50°C	DIN Rail	DC12-12L5-0000

DIN-a-mite

DC1L-6520-F001	208 VAC	4 - 20 mA DC	Single Phase	Phase Angle	65 Amps AC @ 50°C	DIN Rail	DC11-20L0-0000
DC1L-6520-F002	208 VAC	4 - 20 mA DC	Single Phase	Phase Angle	65 Amps AC @ 50°C	DIN Rail	DC12-20L0-0000
DC1L-6520-V101	208 VAC	0 - 5 VDC	Single Phase	Phase Angle	65 Amps AC @ 50°C	DIN Rail	DC11-20L3-0000
DC1L-6520-V102	208 VAC	0 - 5 VDC	Single Phase	Phase Angle	65 Amps AC @ 50°C	DIN Rail	DC12-20L3-0000
DC1L-6520-V201	208 VAC	1 - 5 VDC	Single Phase	Phase Angle	65 Amps AC @ 50°C	DIN Rail	DC11-20L4-0000
DC1L-6520-V202	208 VAC	1 - 5 VDC	Single Phase	Phase Angle	65 Amps AC @ 50°C	DIN Rail	DC12-20L4-0000
DC1L-6520-V301	208 VAC	0 - 10 VDC	Single Phase	Phase Angle	65 Amps AC @ 50°C	DIN Rail	DC11-20L5-0000
DC1L-6520-V302	208 VAC	0 - 10 VDC	Single Phase	Phase Angle	65 Amps AC @ 50°C	DIN Rail	DC12-20L5-0000
DC1L-6524-F001	240 VAC	4 - 20 mA DC	Single Phase	Phase Angle	65 Amps AC @ 50°C	DIN Rail	DC11-24L0-0000
DC1L-6524-F002	240 VAC	4 - 20 mA DC	Single Phase	Phase Angle	65 Amps AC @ 50°C	DIN Rail	DC12-24L0-0000
DC1L-6524-V101	240 VAC	0 - 5 VDC	Single Phase	Phase Angle	65 Amps AC @ 50°C	DIN Rail	DC11-24L3-0000
DC1L-6524-V102	240 VAC	0 - 5 VDC	Single Phase	Phase Angle	65 Amps AC @ 50°C	DIN Rail	DC12-24L3-0000
DC1L-6524-V201	240 VAC	1 - 5 VDC	Single Phase	Phase Angle	65 Amps AC @ 50°C	DIN Rail	DC11-24L4-0000
DC1L-6524-V202	240 VAC	1 - 5 VDC	Single Phase	Phase Angle	65 Amps AC @ 50°C	DIN Rail	DC12-24L4-0000
DC1L-6524-V301	240 VAC	0 - 10 VDC	Single Phase	Phase Angle	65 Amps AC @ 50°C	DIN Rail	DC11-24L5-0000
DC1L-6524-V302	240 VAC	0 - 10 VDC	Single Phase	Phase Angle	65 Amps AC @ 50°C	DIN Rail	DC12-24L5-0000
DC1L-6527-F001	277 VAC	4 - 20 mA DC	Single Phase	Phase Angle	65 Amps AC @ 50°C	DIN Rail	DC11-27L0-0000
DC1L-6527-F002	277 VAC	4 - 20 mA DC	Single Phase	Phase Angle	65 Amps AC @ 50°C	DIN Rail	DC12-27L0-0000
DC1L-6527-V101	277 VAC	0 - 5 VDC	Single Phase	Phase Angle	65 Amps AC @ 50°C	DIN Rail	DC11-27L3-0000
DC1L-6527-V102	277 VAC	0 - 5 VDC	Single Phase	Phase Angle	65 Amps AC @ 50°C	DIN Rail	DC12-27L3-0000
DC1L-6527-V201	277 VAC	1 - 5 VDC	Single Phase	Phase Angle	65 Amps AC @ 50°C	DIN Rail	DC11-27L4-0000
DC1L-6527-V202	277 VAC	1 - 5 VDC	Single Phase	Phase Angle	65 Amps AC @ 50°C	DIN Rail	DC12-27L4-0000
DC1L-6527-V301	277 VAC	0 - 10 VDC	Single Phase	Phase Angle	65 Amps AC @ 50°C	DIN Rail	DC11-27L5-0000
DC1L-6527-V302	277 VAC	0 - 10 VDC	Single Phase	Phase Angle	65 Amps AC @ 50°C	DIN Rail	DC12-27L5-0000
DC1L-6540-F001	400 VAC	4 - 20 mA DC	Single Phase	Phase Angle	65 Amps AC @ 50°C	DIN Rail	DC11-40L0-0000
DC1L-6540-F002	400 VAC	4 - 20 mA DC	Single Phase	Phase Angle	65 Amps AC @ 50°C	DIN Rail	DC12-40L0-0000
DC1L-6540-V101	400 VAC	0 - 5 VDC	Single Phase	Phase Angle	65 Amps AC @ 50°C	DIN Rail	DC11-40L3-0000
DC1L-6540-V102	400 VAC	0 - 5 VDC	Single Phase	Phase Angle	65 Amps AC @ 50°C	DIN Rail	DC12-40L3-0000
DC1L-6540-V201	400 VAC	1 - 5 VDC	Single Phase	Phase Angle	65 Amps AC @ 50°C	DIN Rail	DC11-40L4-0000
DC1L-6540-V202	400 VAC	1 - 5 VDC	Single Phase	Phase Angle	65 Amps AC @ 50°C	DIN Rail	DC12-40L4-0000
DC1L-6540-V301	400 VAC	0 - 10 VDC	Single Phase	Phase Angle	65 Amps AC @ 50°C	DIN Rail	DC11-40L5-0000
DC1L-6540-V302	400 VAC	0 - 10 VDC	Single Phase	Phase Angle	65 Amps AC @ 50°C	DIN Rail	DC12-40L5-0000
DC1L-6548-F001	480 VAC	4 - 20 mA DC	Single Phase	Phase Angle	65 Amps AC @ 50°C	DIN Rail	DC11-48L0-0000
DC1L-6548-F002	480 VAC	4 - 20 mA DC	Single Phase	Phase Angle	65 Amps AC @ 50°C	DIN Rail	DC12-48L0-0000
DC1L-6548-V101	480 VAC	0 - 5 VDC	Single Phase	Phase Angle	65 Amps AC @ 50°C	DIN Rail	DC11-48L3-0000
DC1L-6548-V102	480 VAC	0 - 5 VDC	Single Phase	Phase Angle	65 Amps AC @ 50°C	DIN Rail	DC12-48L3-0000
DC1L-6548-V201	480 VAC	1 - 5 VDC	Single Phase	Phase Angle	65 Amps AC @ 50°C	DIN Rail	DC11-48L4-0000

DIN-a-mite

DC1L-6548-V202	480 VAC	1 - 5 VDC	Single Phase	Phase Angle	65 Amps AC @ 50°C	DIN Rail	DC12-48L4-0000
DC1L-6548-V301	480 VAC	0 - 10 VDC	Single Phase	Phase Angle	65 Amps AC @ 50°C	DIN Rail	DC11-48L5-0000
DC1L-6548-V302	480 VAC	0 - 10 VDC	Single Phase	Phase Angle	65 Amps AC @ 50°C	DIN Rail	DC12-48L5-0000
DC1P-5012-F000	120 VAC	4 - 20 mA DC	Single Phase	Phase Angle	50 Amps AC @ 50°C	DIN Rail	DC10-12P0-0000
DC1P-5012-V100	120 VAC	0 - 5 VDC	Single Phase	Phase Angle	50 Amps AC @ 50°C	DIN Rail	DC10-12P3-0000
DC1P-5012-V200	120 VAC	1 - 5 VDC	Single Phase	Phase Angle	50 Amps AC @ 50°C	DIN Rail	DC10-12P4-0000
DC1P-5012-V300	120 VAC	0 - 10 VDC	Single Phase	Phase Angle	50 Amps AC @ 50°C	DIN Rail	DC10-12P5-0000
DC1P-5020-F000	208 VAC	4 - 20 mA DC	Single Phase	Phase Angle	50 Amps AC @ 50°C	DIN Rail	DC10-20P0-0000
DC1P-5020-V100	208 VAC	0 - 5 VDC	Single Phase	Phase Angle	50 Amps AC @ 50°C	DIN Rail	DC10-20P3-0000
DC1P-5020-V200	208 VAC	1 - 5 VDC	Single Phase	Phase Angle	50 Amps AC @ 50°C	DIN Rail	DC10-20P4-0000
DC1P-5020-V300	208 VAC	0 - 10 VDC	Single Phase	Phase Angle	50 Amps AC @ 50°C	DIN Rail	DC10-20P5-0000
DC1P-5024-F000	240 VAC	4 - 20 mA DC	Single Phase	Phase Angle	50 Amps AC @ 50°C	DIN Rail	DC10-24P0-0000
DC1P-5024-V100	240 VAC	0 - 5 VDC	Single Phase	Phase Angle	50 Amps AC @ 50°C	DIN Rail	DC10-24P3-0000
DC1P-5024-V200	240 VAC	1 - 5 VDC	Single Phase	Phase Angle	50 Amps AC @ 50°C	DIN Rail	DC10-24P4-0000
DC1P-5024-V300	240 VAC	0 - 10 VDC	Single Phase	Phase Angle	50 Amps AC @ 50°C	DIN Rail	DC10-24P5-0000
DC1P-5027-F000	277 VAC	4 - 20 mA DC	Single Phase	Phase Angle	50 Amps AC @ 50°C	DIN Rail	DC10-27P0-0000
DC1P-5027-V100	277 VAC	0 - 5 VDC	Single Phase	Phase Angle	50 Amps AC @ 50°C	DIN Rail	DC10-27P3-0000
DC1P-5027-V200	277 VAC	1 - 5 VDC	Single Phase	Phase Angle	50 Amps AC @ 50°C	DIN Rail	DC10-27P4-0000
DC1P-5027-V300	277 VAC	0 - 10 VDC	Single Phase	Phase Angle	50 Amps AC @ 50°C	DIN Rail	DC10-27P5-0000
DC1P-5040-F000	400 VAC	4 - 20 mA DC	Single Phase	Phase Angle	50 Amps AC @ 50°C	DIN Rail	DC10-40P0-0000
DC1P-5040-V100	400 VAC	0 - 5 VDC	Single Phase	Phase Angle	50 Amps AC @ 50°C	DIN Rail	DC10-40P3-0000
DC1P-5040-V200	400 VAC	1 - 5 VDC	Single Phase	Phase Angle	50 Amps AC @ 50°C	DIN Rail	DC10-40P4-0000
DC1P-5040-V300	400 VAC	0 - 10 VDC	Single Phase	Phase Angle	50 Amps AC @ 50°C	DIN Rail	DC10-40P5-0000
DC1P-5048-F000	480 VAC	4 - 20 mA DC	Single Phase	Phase Angle	50 Amps AC @ 50°C	DIN Rail	DC10-48P0-0000
DC1P-5048-V100	480 VAC	0 - 5 VDC	Single Phase	Phase Angle	50 Amps AC @ 50°C	DIN Rail	DC10-48P3-0000
DC1P-5048-V200	480 VAC	1 - 5 VDC	Single Phase	Phase Angle	50 Amps AC @ 50°C	DIN Rail	DC10-48P4-0000
DC1P-5048-V300	480 VAC	0 - 10 VDC	Single Phase	Phase Angle	50 Amps AC @ 50°C	DIN Rail	DC10-48P5-0000
DC1P-5060-F000	600 VAC	4 - 20 mA DC	Single Phase	Phase Angle	50 Amps AC @ 50°C	DIN Rail	DC10-60P0-0000
DC1P-6012-F00T	120 VAC	4 - 20 mA DC	Single Phase	Phase Angle	60 Amps AC @ 50°C	DIN Rail	DC1T-12P0-0000
DC1P-6012-V10T	120 VAC	0 - 5 VDC	Single Phase	Phase Angle	60 Amps AC @ 50°C	DIN Rail	DC1T-12P3-0000
DC1P-6012-V20T	120 VAC	1 - 5 VDC	Single Phase	Phase Angle	60 Amps AC @ 50°C	DIN Rail	DC1T-12P4-0000
DC1P-6012-V30T	120 VAC	0 - 10 VDC	Single Phase	Phase Angle	60 Amps AC @ 50°C	DIN Rail	DC1T-12P5-0000
DC1P-6020-F00T	208 VAC	4 - 20 mA DC	Single Phase	Phase Angle	60 Amps AC @ 50°C	DIN Rail	DC1T-20P0-0000
DC1P-6020-V10T	208 VAC	0 - 5 VDC	Single Phase	Phase Angle	60 Amps AC @ 50°C	DIN Rail	DC1T-20P3-0000
DC1P-6020-V20T	208 VAC	1 - 5 VDC	Single Phase	Phase Angle	60 Amps AC @ 50°C	DIN Rail	DC1T-20P4-0000
DC1P-6020-V30T	208 VAC	0 - 10 VDC	Single Phase	Phase Angle	60 Amps AC @ 50°C	DIN Rail	DC1T-20P5-0000
DC1P-6024-F00T	240 VAC	4 - 20 mA DC	Single Phase	Phase Angle	60 Amps AC @ 50°C	DIN Rail	DC1T-24P0-0000

DIN-a-mite

DC1P-6024-V10T	240 VAC	0 - 5 VDC	Single Phase	Phase Angle	60 Amps AC @ 50°C	DIN Rail	DC1T-24P3-0000
DC1P-6024-V20T	240 VAC	1 - 5 VDC	Single Phase	Phase Angle	60 Amps AC @ 50°C	DIN Rail	DC1T-24P4-0000
DC1P-6024-V30T	240 VAC	0 - 10 VDC	Single Phase	Phase Angle	60 Amps AC @ 50°C	DIN Rail	DC1T-24P5-0000
DC1P-6027-F00T	277 VAC	4 - 20 mA DC	Single Phase	Phase Angle	60 Amps AC @ 50°C	DIN Rail	DC1T-27P0-0000
DC1P-6027-V10T	277 VAC	0 - 5 VDC	Single Phase	Phase Angle	60 Amps AC @ 50°C	DIN Rail	DC1T-27P3-0000
DC1P-6027-V20T	277 VAC	1 - 5 VDC	Single Phase	Phase Angle	60 Amps AC @ 50°C	DIN Rail	DC1T-27P4-0000
DC1P-6027-V30T	277 VAC	0 - 10 VDC	Single Phase	Phase Angle	60 Amps AC @ 50°C	DIN Rail	DC1T-27P5-0000
DC1P-6040-F00T	400 VAC	4 - 20 mA DC	Single Phase	Phase Angle	60 Amps AC @ 50°C	DIN Rail	DC1T-40P0-0000
DC1P-6040-V10T	400 VAC	0 - 5 VDC	Single Phase	Phase Angle	60 Amps AC @ 50°C	DIN Rail	DC1T-40P3-0000
DC1P-6040-V20T	400 VAC	1 - 5 VDC	Single Phase	Phase Angle	60 Amps AC @ 50°C	DIN Rail	DC1T-40P4-0000
DC1P-6040-V30T	400 VAC	0 - 10 VDC	Single Phase	Phase Angle	60 Amps AC @ 50°C	DIN Rail	DC1T-40P5-0000
DC1P-6048-F00T	480 VAC	4 - 20 mA DC	Single Phase	Phase Angle	60 Amps AC @ 50°C	DIN Rail	DC1T-48P0-0000
DC1P-6048-V10T	480 VAC	0 - 5 VDC	Single Phase	Phase Angle	60 Amps AC @ 50°C	DIN Rail	DC1T-48P3-0000
DC1P-6048-V20T	480 VAC	1 - 5 VDC	Single Phase	Phase Angle	60 Amps AC @ 50°C	DIN Rail	DC1T-48P4-0000
DC1P-6048-V30T	480 VAC	0 - 10 VDC	Single Phase	Phase Angle	60 Amps AC @ 50°C	DIN Rail	DC1T-48P5-0000
DC1P-6512-F001	120 VAC	4 - 20 mA DC	Single Phase	Phase Angle	65 Amps AC @ 50°C	DIN Rail	DC11-12P0-0000
DC1P-6512-F002	120 VAC	4 - 20 mA DC	Single Phase	Phase Angle	65 Amps AC @ 50°C	DIN Rail	DC12-12P0-0000
DC1P-6512-V101	120 VAC	0 - 5 VDC	Single Phase	Phase Angle	65 Amps AC @ 50°C	DIN Rail	DC11-12P3-0000
DC1P-6512-V102	120 VAC	0 - 5 VDC	Single Phase	Phase Angle	65 Amps AC @ 50°C	DIN Rail	DC12-12P3-0000
DC1P-6512-V201	120 VAC	1 - 5 VDC	Single Phase	Phase Angle	65 Amps AC @ 50°C	DIN Rail	DC11-12P4-0000
DC1P-6512-V202	120 VAC	1 - 5 VDC	Single Phase	Phase Angle	65 Amps AC @ 50°C	DIN Rail	DC12-12P4-0000
DC1P-6512-V301	120 VAC	0 - 10 VDC	Single Phase	Phase Angle	65 Amps AC @ 50°C	DIN Rail	DC11-12P5-0000
DC1P-6512-V302	120 VAC	0 - 10 VDC	Single Phase	Phase Angle	65 Amps AC @ 50°C	DIN Rail	DC12-12P5-0000
DC1P-6520-F001	208 VAC	4 - 20 mA DC	Single Phase	Phase Angle	65 Amps AC @ 50°C	DIN Rail	DC11-20P0-0000
DC1P-6520-F002	208 VAC	4 - 20 mA DC	Single Phase	Phase Angle	65 Amps AC @ 50°C	DIN Rail	DC12-20P0-0000
DC1P-6520-V101	208 VAC	0 - 5 VDC	Single Phase	Phase Angle	65 Amps AC @ 50°C	DIN Rail	DC11-20P3-0000
DC1P-6520-V102	208 VAC	0 - 5 VDC	Single Phase	Phase Angle	65 Amps AC @ 50°C	DIN Rail	DC12-20P3-0000
DC1P-6520-V201	208 VAC	1 - 5 VDC	Single Phase	Phase Angle	65 Amps AC @ 50°C	DIN Rail	DC11-20P4-0000
DC1P-6520-V202	208 VAC	1 - 5 VDC	Single Phase	Phase Angle	65 Amps AC @ 50°C	DIN Rail	DC12-20P4-0000
DC1P-6520-V301	208 VAC	0 - 10 VDC	Single Phase	Phase Angle	65 Amps AC @ 50°C	DIN Rail	DC11-20P5-0000
DC1P-6520-V302	208 VAC	0 - 10 VDC	Single Phase	Phase Angle	65 Amps AC @ 50°C	DIN Rail	DC12-20P5-0000
DC1P-6524-F001	240 VAC	4 - 20 mA DC	Single Phase	Phase Angle	65 Amps AC @ 50°C	DIN Rail	DC11-24P0-0000
DC1P-6524-F002	240 VAC	4 - 20 mA DC	Single Phase	Phase Angle	65 Amps AC @ 50°C	DIN Rail	DC12-24P0-0000
DC1P-6524-V101	240 VAC	0 - 5 VDC	Single Phase	Phase Angle	65 Amps AC @ 50°C	DIN Rail	DC11-24P3-0000
DC1P-6524-V102	240 VAC	0 - 5 VDC	Single Phase	Phase Angle	65 Amps AC @ 50°C	DIN Rail	DC12-24P3-0000
DC1P-6524-V201	240 VAC	1 - 5 VDC	Single Phase	Phase Angle	65 Amps AC @ 50°C	DIN Rail	DC11-24P4-0000
DC1P-6524-V202	240 VAC	1 - 5 VDC	Single Phase	Phase Angle	65 Amps AC @ 50°C	DIN Rail	DC12-24P4-0000

DIN-a-mite

DC1P-6524-V301	240 VAC	0 - 10 VDC	Single Phase	Phase Angle	65 Amps AC @ 50°C	DIN Rail	DC11-24P5-0000
DC1P-6524-V302	240 VAC	0 - 10 VDC	Single Phase	Phase Angle	65 Amps AC @ 50°C	DIN Rail	DC12-24P5-0000
DC1P-6527-F001	277 VAC	4 - 20 mA DC	Single Phase	Phase Angle	65 Amps AC @ 50°C	DIN Rail	DC11-27P0-0000
DC1P-6527-F002	277 VAC	4 - 20 mA DC	Single Phase	Phase Angle	65 Amps AC @ 50°C	DIN Rail	DC12-27P0-0000
DC1P-6527-V101	277 VAC	0 - 5 VDC	Single Phase	Phase Angle	65 Amps AC @ 50°C	DIN Rail	DC11-27P3-0000
DC1P-6527-V102	277 VAC	0 - 5 VDC	Single Phase	Phase Angle	65 Amps AC @ 50°C	DIN Rail	DC12-27P3-0000
DC1P-6527-V201	277 VAC	1 - 5 VDC	Single Phase	Phase Angle	65 Amps AC @ 50°C	DIN Rail	DC11-27P4-0000
DC1P-6527-V202	277 VAC	1 - 5 VDC	Single Phase	Phase Angle	65 Amps AC @ 50°C	DIN Rail	DC12-27P4-0000
DC1P-6527-V301	277 VAC	0 - 10 VDC	Single Phase	Phase Angle	65 Amps AC @ 50°C	DIN Rail	DC11-27P5-0000
DC1P-6527-V302	277 VAC	0 - 10 VDC	Single Phase	Phase Angle	65 Amps AC @ 50°C	DIN Rail	DC12-27P5-0000
DC1P-6540-F001	400 VAC	4 - 20 mA DC	Single Phase	Phase Angle	65 Amps AC @ 50°C	DIN Rail	DC11-40P0-0000
DC1P-6540-F002	400 VAC	4 - 20 mA DC	Single Phase	Phase Angle	65 Amps AC @ 50°C	DIN Rail	DC12-40P0-0000
DC1P-6540-V101	400 VAC	0 - 5 VDC	Single Phase	Phase Angle	65 Amps AC @ 50°C	DIN Rail	DC11-40P3-0000
DC1P-6540-V102	400 VAC	0 - 5 VDC	Single Phase	Phase Angle	65 Amps AC @ 50°C	DIN Rail	DC12-40P3-0000
DC1P-6540-V201	400 VAC	1 - 5 VDC	Single Phase	Phase Angle	65 Amps AC @ 50°C	DIN Rail	DC11-40P4-0000
DC1P-6540-V202	400 VAC	1 - 5 VDC	Single Phase	Phase Angle	65 Amps AC @ 50°C	DIN Rail	DC12-40P4-0000
DC1P-6540-V301	400 VAC	0 - 10 VDC	Single Phase	Phase Angle	65 Amps AC @ 50°C	DIN Rail	DC11-40P5-0000
DC1P-6540-V302	400 VAC	0 - 10 VDC	Single Phase	Phase Angle	65 Amps AC @ 50°C	DIN Rail	DC12-40P5-0000
DC1P-6548-F001	480 VAC	4 - 20 mA DC	Single Phase	Phase Angle	65 Amps AC @ 50°C	DIN Rail	DC11-48P0-0000
DC1P-6548-F002	480 VAC	4 - 20 mA DC	Single Phase	Phase Angle	65 Amps AC @ 50°C	DIN Rail	DC12-48P0-0000
DC1P-6548-V101	480 VAC	0 - 5 VDC	Single Phase	Phase Angle	65 Amps AC @ 50°C	DIN Rail	DC11-48P3-0000
DC1P-6548-V102	480 VAC	0 - 5 VDC	Single Phase	Phase Angle	65 Amps AC @ 50°C	DIN Rail	DC12-48P3-0000
DC1P-6548-V201	480 VAC	1 - 5 VDC	Single Phase	Phase Angle	65 Amps AC @ 50°C	DIN Rail	DC11-48P4-0000
DC1P-6548-V202	480 VAC	1 - 5 VDC	Single Phase	Phase Angle	65 Amps AC @ 50°C	DIN Rail	DC12-48P4-0000
DC1P-6548-V301	480 VAC	0 - 10 VDC	Single Phase	Phase Angle	65 Amps AC @ 50°C	DIN Rail	DC11-48P5-0000
DC1P-6548-V302	480 VAC	0 - 10 VDC	Single Phase	Phase Angle	65 Amps AC @ 50°C	DIN Rail	DC12-48P5-0000
DC1S-5012-F000	120 VAC	4 - 20 mA DC	Single Phase	Zero Cross	50 Amps AC @ 50°C	DIN Rail	DC10-12S0-0000
DC1S-5012-F001	120 VAC	4 - 20 mA DC	Single Phase	Zero Cross	65 Amps AC @ 50°C	DIN Rail	DC11-12S0-0000
DC1S-5012-F002	120 VAC	4 - 20 mA DC	Single Phase	Zero Cross	65 Amps AC @ 50°C	DIN Rail	DC12-12S0-0000
DC1S-5012-F00T	120 VAC	4 - 20 mA DC	Single Phase	Zero Cross	60 Amps AC @ 50°C	DIN Rail	DC1T-12S0-0000
DC1S-5012-F0S0	120 VAC	4 - 20 mA DC	Single Phase	Zero Cross	50 Amps AC @ 50°C	DIN Rail	DC10-12S0-S000
DC1S-5012-F0S1	120 VAC	4 - 20 mA DC	Single Phase	Zero Cross	65 Amps AC @ 50°C	DIN Rail	DC11-12S0-S000
DC1S-5012-F0S2	120 VAC	4 - 20 mA DC	Single Phase	Zero Cross	65 Amps AC @ 50°C	DIN Rail	DC12-12S0-S000
DC1S-5012-F0ST	120 VAC	4 - 20 mA DC	Single Phase	Zero Cross	60 Amps AC @ 50°C	DIN Rail	DC1T-12S0-S000
DC1S-5012-V100	120 VAC	0 - 5 VDC	Single Phase	Zero Cross	50 Amps AC @ 50°C	DIN Rail	DC10-12S3-0000
DC1S-5012-V101	120 VAC	0 - 5 VDC	Single Phase	Zero Cross	65 Amps AC @ 50°C	DIN Rail	DC11-12S3-0000
DC1S-5012-V102	120 VAC	0 - 5 VDC	Single Phase	Zero Cross	65 Amps AC @ 50°C	DIN Rail	DC12-12S3-0000

DIN-a-mite

DC1S-5012-V10T	120 VAC	0 - 5 VDC	Single Phase	Zero Cross	60 Amps AC @ 50°C	DIN Rail	DC1T-12S3-0000
DC1S-5012-V1S0	120 VAC	0 - 5 VDC	Single Phase	Zero Cross	50 Amps AC @ 50°C	DIN Rail	DC10-12S3-S000
DC1S-5012-V1S1	120 VAC	0 - 5 VDC	Single Phase	Zero Cross	65 Amps AC @ 50°C	DIN Rail	DC11-12S3-S000
DC1S-5012-V1S2	120 VAC	0 - 5 VDC	Single Phase	Zero Cross	65 Amps AC @ 50°C	DIN Rail	DC12-12S3-S000
DC1S-5012-V1ST	120 VAC	0 - 5 VDC	Single Phase	Zero Cross	60 Amps AC @ 50°C	DIN Rail	DC1T-12S3-S000
DC1S-5012-V200	120 VAC	1 - 5 VDC	Single Phase	Zero Cross	50 Amps AC @ 50°C	DIN Rail	DC10-12S4-0000
DC1S-5012-V201	120 VAC	1 - 5 VDC	Single Phase	Zero Cross	65 Amps AC @ 50°C	DIN Rail	DC11-12S4-0000
DC1S-5012-V202	120 VAC	1 - 5 VDC	Single Phase	Zero Cross	65 Amps AC @ 50°C	DIN Rail	DC12-12S4-0000
DC1S-5012-V20T	120 VAC	1 - 5 VDC	Single Phase	Zero Cross	60 Amps AC @ 50°C	DIN Rail	DC1T-12S4-0000
DC1S-5012-V2S0	120 VAC	1 - 5 VDC	Single Phase	Zero Cross	50 Amps AC @ 50°C	DIN Rail	DC10-12S4-S000
DC1S-5012-V2S1	120 VAC	1 - 5 VDC	Single Phase	Zero Cross	65 Amps AC @ 50°C	DIN Rail	DC11-12S4-S000
DC1S-5012-V2S2	120 VAC	1 - 5 VDC	Single Phase	Zero Cross	65 Amps AC @ 50°C	DIN Rail	DC12-12S4-S000
DC1S-5012-V2ST	120 VAC	1 - 5 VDC	Single Phase	Zero Cross	60 Amps AC @ 50°C	DIN Rail	DC1T-12S4-S000
DC1S-5012-V300	120 VAC	0 - 10 VDC	Single Phase	Zero Cross	50 Amps AC @ 50°C	DIN Rail	DC10-12S5-0000
DC1S-5012-V301	120 VAC	0 - 10 VDC	Single Phase	Zero Cross	65 Amps AC @ 50°C	DIN Rail	DC11-12S5-0000
DC1S-5012-V302	120 VAC	0 - 10 VDC	Single Phase	Zero Cross	65 Amps AC @ 50°C	DIN Rail	DC12-12S5-0000
DC1S-5012-V30T	120 VAC	0 - 10 VDC	Single Phase	Zero Cross	60 Amps AC @ 50°C	DIN Rail	DC1T-12S5-0000
DC1S-5012-V3S0	120 VAC	0 - 10 VDC	Single Phase	Zero Cross	50 Amps AC @ 50°C	DIN Rail	DC10-12S5-S000
DC1S-5012-V3S1	120 VAC	0 - 10 VDC	Single Phase	Zero Cross	65 Amps AC @ 50°C	DIN Rail	DC11-12S5-S000
DC1S-5012-V3S2	120 VAC	0 - 10 VDC	Single Phase	Zero Cross	65 Amps AC @ 50°C	DIN Rail	DC12-12S5-S000
DC1S-5012-V3ST	120 VAC	0 - 10 VDC	Single Phase	Zero Cross	60 Amps AC @ 50°C	DIN Rail	DC1T-12S5-S000
DC1S-5020-F000	208 VAC	4 - 20 mA DC	Single Phase	Zero Cross	50 Amps AC @ 50°C	DIN Rail	DC10-20S0-0000
DC1S-5020-F001	208 VAC	4 - 20 mA DC	Single Phase	Zero Cross	65 Amps AC @ 50°C	DIN Rail	DC11-20S0-0000
DC1S-5020-F002	208 VAC	4 - 20 mA DC	Single Phase	Zero Cross	65 Amps AC @ 50°C	DIN Rail	DC12-20S0-0000
DC1S-5020-F00T	208 VAC	4 - 20 mA DC	Single Phase	Zero Cross	60 Amps AC @ 50°C	DIN Rail	DC1T-20S0-0000
DC1S-5020-F0S0	208 VAC	4 - 20 mA DC	Single Phase	Zero Cross	50 Amps AC @ 50°C	DIN Rail	DC10-20S0-S000
DC1S-5020-F0S1	208 VAC	4 - 20 mA DC	Single Phase	Zero Cross	65 Amps AC @ 50°C	DIN Rail	DC11-20S0-S000
DC1S-5020-F0S2	208 VAC	4 - 20 mA DC	Single Phase	Zero Cross	65 Amps AC @ 50°C	DIN Rail	DC12-20S0-S000
DC1S-5020-F0ST	208 VAC	4 - 20 mA DC	Single Phase	Zero Cross	60 Amps AC @ 50°C	DIN Rail	DC1T-20S0-S000
DC1S-5020-V100	208 VAC	0 - 5 VDC	Single Phase	Zero Cross	50 Amps AC @ 50°C	DIN Rail	DC10-20S3-0000
DC1S-5020-V101	208 VAC	0 - 5 VDC	Single Phase	Zero Cross	65 Amps AC @ 50°C	DIN Rail	DC11-20S3-0000
DC1S-5020-V102	208 VAC	0 - 5 VDC	Single Phase	Zero Cross	65 Amps AC @ 50°C	DIN Rail	DC12-20S3-0000
DC1S-5020-V10T	208 VAC	0 - 5 VDC	Single Phase	Zero Cross	60 Amps AC @ 50°C	DIN Rail	DC1T-20S3-0000
DC1S-5020-V1S0	208 VAC	0 - 5 VDC	Single Phase	Zero Cross	50 Amps AC @ 50°C	DIN Rail	DC10-20S3-S000
DC1S-5020-V1S1	208 VAC	0 - 5 VDC	Single Phase	Zero Cross	65 Amps AC @ 50°C	DIN Rail	DC11-20S3-S000
DC1S-5020-V1S2	208 VAC	0 - 5 VDC	Single Phase	Zero Cross	65 Amps AC @ 50°C	DIN Rail	DC12-20S3-S000
DC1S-5020-V1ST	208 VAC	0 - 5 VDC	Single Phase	Zero Cross	60 Amps AC @ 50°C	DIN Rail	DC1T-20S3-S000

DIN-a-mite

DC1S-5020-V200	208 VAC	1 - 5 VDC	Single Phase	Zero Cross	50 Amps AC @ 50°C	DIN Rail	DC10-20S4-0000
DC1S-5020-V201	208 VAC	1 - 5 VDC	Single Phase	Zero Cross	65 Amps AC @ 50°C	DIN Rail	DC11-20S4-0000
DC1S-5020-V202	208 VAC	1 - 5 VDC	Single Phase	Zero Cross	65 Amps AC @ 50°C	DIN Rail	DC12-20S4-0000
DC1S-5020-V20T	208 VAC	1 - 5 VDC	Single Phase	Zero Cross	60 Amps AC @ 50°C	DIN Rail	DC1T-20S4-0000
DC1S-5020-V2S0	208 VAC	1 - 5 VDC	Single Phase	Zero Cross	50 Amps AC @ 50°C	DIN Rail	DC10-20S4-S000
DC1S-5020-V2S1	208 VAC	1 - 5 VDC	Single Phase	Zero Cross	65 Amps AC @ 50°C	DIN Rail	DC11-20S4-S000
DC1S-5020-V2S2	208 VAC	1 - 5 VDC	Single Phase	Zero Cross	65 Amps AC @ 50°C	DIN Rail	DC12-20S4-S000
DC1S-5020-V2ST	208 VAC	1 - 5 VDC	Single Phase	Zero Cross	60 Amps AC @ 50°C	DIN Rail	DC1T-20S4-S000
DC1S-5020-V300	208 VAC	0 - 10 VDC	Single Phase	Zero Cross	50 Amps AC @ 50°C	DIN Rail	DC10-20S5-0000
DC1S-5020-V301	208 VAC	0 - 10 VDC	Single Phase	Zero Cross	65 Amps AC @ 50°C	DIN Rail	DC11-20S5-0000
DC1S-5020-V302	208 VAC	0 - 10 VDC	Single Phase	Zero Cross	65 Amps AC @ 50°C	DIN Rail	DC12-20S5-0000
DC1S-5020-V30T	208 VAC	0 - 10 VDC	Single Phase	Zero Cross	60 Amps AC @ 50°C	DIN Rail	DC1T-20S5-0000
DC1S-5020-V3S0	208 VAC	0 - 10 VDC	Single Phase	Zero Cross	50 Amps AC @ 50°C	DIN Rail	DC10-20S5-S000
DC1S-5020-V3S1	208 VAC	0 - 10 VDC	Single Phase	Zero Cross	65 Amps AC @ 50°C	DIN Rail	DC11-20S5-S000
DC1S-5020-V3S2	208 VAC	0 - 10 VDC	Single Phase	Zero Cross	65 Amps AC @ 50°C	DIN Rail	DC12-20S5-S000
DC1S-5020-V3ST	208 VAC	0 - 10 VDC	Single Phase	Zero Cross	60 Amps AC @ 50°C	DIN Rail	DC1T-20S5-S000
DC1S-5024-F000	240 VAC	4 - 20 mA DC	Single Phase	Zero Cross	50 Amps AC @ 50°C	DIN Rail	DC10-24S0-0000
DC1S-5024-F001	240 VAC	4 - 20 mA DC	Single Phase	Zero Cross	65 Amps AC @ 50°C	DIN Rail	DC11-24S0-0000
DC1S-5024-F002	240 VAC	4 - 20 mA DC	Single Phase	Zero Cross	65 Amps AC @ 50°C	DIN Rail	DC12-24S0-0000
DC1S-5024-F00T	240 VAC	4 - 20 mA DC	Single Phase	Zero Cross	60 Amps AC @ 50°C	DIN Rail	DC1T-24S0-0000
DC1S-5024-F0S0	240 VAC	4 - 20 mA DC	Single Phase	Zero Cross	50 Amps AC @ 50°C	DIN Rail	DC10-24S0-S000
DC1S-5024-F0S1	240 VAC	4 - 20 mA DC	Single Phase	Zero Cross	65 Amps AC @ 50°C	DIN Rail	DC11-24S0-S000
DC1S-5024-F0S2	240 VAC	4 - 20 mA DC	Single Phase	Zero Cross	65 Amps AC @ 50°C	DIN Rail	DC12-24S0-S000
DC1S-5024-F0ST	240 VAC	4 - 20 mA DC	Single Phase	Zero Cross	60 Amps AC @ 50°C	DIN Rail	DC1T-24S0-S000
DC1S-5024-V100	240 VAC	0 - 5 VDC	Single Phase	Zero Cross	50 Amps AC @ 50°C	DIN Rail	DC10-24S3-0000
DC1S-5024-V101	240 VAC	0 - 5 VDC	Single Phase	Zero Cross	65 Amps AC @ 50°C	DIN Rail	DC11-24S3-0000
DC1S-5024-V102	240 VAC	0 - 5 VDC	Single Phase	Zero Cross	65 Amps AC @ 50°C	DIN Rail	DC12-24S3-0000
DC1S-5024-V10T	240 VAC	0 - 5 VDC	Single Phase	Zero Cross	60 Amps AC @ 50°C	DIN Rail	DC1T-24S3-0000
DC1S-5024-V1S0	240 VAC	0 - 5 VDC	Single Phase	Zero Cross	50 Amps AC @ 50°C	DIN Rail	DC10-24S3-S000
DC1S-5024-V1S1	240 VAC	0 - 5 VDC	Single Phase	Zero Cross	65 Amps AC @ 50°C	DIN Rail	DC11-24S3-S000
DC1S-5024-V1S2	240 VAC	0 - 5 VDC	Single Phase	Zero Cross	65 Amps AC @ 50°C	DIN Rail	DC12-24S3-S000
DC1S-5024-V1ST	240 VAC	0 - 5 VDC	Single Phase	Zero Cross	60 Amps AC @ 50°C	DIN Rail	DC1T-24S3-S000
DC1S-5024-V200	240 VAC	1 - 5 VDC	Single Phase	Zero Cross	50 Amps AC @ 50°C	DIN Rail	DC10-24S4-0000
DC1S-5024-V201	240 VAC	1 - 5 VDC	Single Phase	Zero Cross	65 Amps AC @ 50°C	DIN Rail	DC11-24S4-0000
DC1S-5024-V202	240 VAC	1 - 5 VDC	Single Phase	Zero Cross	65 Amps AC @ 50°C	DIN Rail	DC12-24S4-0000
DC1S-5024-V20T	240 VAC	1 - 5 VDC	Single Phase	Zero Cross	60 Amps AC @ 50°C	DIN Rail	DC1T-24S4-0000
DC1S-5024-V2S0	240 VAC	1 - 5 VDC	Single Phase	Zero Cross	50 Amps AC @ 50°C	DIN Rail	DC10-24S4-S000

DIN-a-mite

DC1S-5024-V2S1	240 VAC	1 - 5 VDC	Single Phase	Zero Cross	65 Amps AC @ 50°C	DIN Rail	DC11-24S4-S000
DC1S-5024-V2S2	240 VAC	1 - 5 VDC	Single Phase	Zero Cross	65 Amps AC @ 50°C	DIN Rail	DC12-24S4-S000
DC1S-5024-V2ST	240 VAC	1 - 5 VDC	Single Phase	Zero Cross	60 Amps AC @ 50°C	DIN Rail	DC1T-24S4-S000
DC1S-5024-V300	240 VAC	0 - 10 VDC	Single Phase	Zero Cross	50 Amps AC @ 50°C	DIN Rail	DC10-24S5-0000
DC1S-5024-V301	240 VAC	0 - 10 VDC	Single Phase	Zero Cross	65 Amps AC @ 50°C	DIN Rail	DC11-24S5-0000
DC1S-5024-V302	240 VAC	0 - 10 VDC	Single Phase	Zero Cross	65 Amps AC @ 50°C	DIN Rail	DC12-24S5-0000
DC1S-5024-V30T	240 VAC	0 - 10 VDC	Single Phase	Zero Cross	60 Amps AC @ 50°C	DIN Rail	DC1T-24S5-0000
DC1S-5024-V3S0	240 VAC	0 - 10 VDC	Single Phase	Zero Cross	50 Amps AC @ 50°C	DIN Rail	DC10-24S5-S000
DC1S-5024-V3S1	240 VAC	0 - 10 VDC	Single Phase	Zero Cross	65 Amps AC @ 50°C	DIN Rail	DC11-24S5-S000
DC1S-5024-V3S2	240 VAC	0 - 10 VDC	Single Phase	Zero Cross	65 Amps AC @ 50°C	DIN Rail	DC12-24S5-S000
DC1S-5024-V3ST	240 VAC	0 - 10 VDC	Single Phase	Zero Cross	60 Amps AC @ 50°C	DIN Rail	DC1T-24S5-S000
DC1S-5027-F000	277 VAC	4 - 20 mA DC	Single Phase	Zero Cross	50 Amps AC @ 50°C	DIN Rail	DC10-27S0-0000
DC1S-5027-F001	277 VAC	4 - 20 mA DC	Single Phase	Zero Cross	65 Amps AC @ 50°C	DIN Rail	DC11-27S0-0000
DC1S-5027-F002	277 VAC	4 - 20 mA DC	Single Phase	Zero Cross	65 Amps AC @ 50°C	DIN Rail	DC12-27S0-0000
DC1S-5027-F00T	277 VAC	4 - 20 mA DC	Single Phase	Zero Cross	60 Amps AC @ 50°C	DIN Rail	DC1T-27S0-0000
DC1S-5027-F0S0	277 VAC	4 - 20 mA DC	Single Phase	Zero Cross	50 Amps AC @ 50°C	DIN Rail	DC10-27S0-S000
DC1S-5027-F0S1	277 VAC	4 - 20 mA DC	Single Phase	Zero Cross	65 Amps AC @ 50°C	DIN Rail	DC11-27S0-S000
DC1S-5027-F0S2	277 VAC	4 - 20 mA DC	Single Phase	Zero Cross	65 Amps AC @ 50°C	DIN Rail	DC12-27S0-S000
DC1S-5027-F0ST	277 VAC	4 - 20 mA DC	Single Phase	Zero Cross	60 Amps AC @ 50°C	DIN Rail	DC1T-27S0-S000
DC1S-5027-V100	277 VAC	0 - 5 VDC	Single Phase	Zero Cross	50 Amps AC @ 50°C	DIN Rail	DC10-27S3-0000
DC1S-5027-V101	277 VAC	0 - 5 VDC	Single Phase	Zero Cross	65 Amps AC @ 50°C	DIN Rail	DC11-27S3-0000
DC1S-5027-V102	277 VAC	0 - 5 VDC	Single Phase	Zero Cross	65 Amps AC @ 50°C	DIN Rail	DC12-27S3-0000
DC1S-5027-V10T	277 VAC	0 - 5 VDC	Single Phase	Zero Cross	60 Amps AC @ 50°C	DIN Rail	DC1T-27S3-0000
DC1S-5027-V1S0	277 VAC	0 - 5 VDC	Single Phase	Zero Cross	50 Amps AC @ 50°C	DIN Rail	DC10-27S3-S000
DC1S-5027-V1S1	277 VAC	0 - 5 VDC	Single Phase	Zero Cross	65 Amps AC @ 50°C	DIN Rail	DC11-27S3-S000
DC1S-5027-V1S2	277 VAC	0 - 5 VDC	Single Phase	Zero Cross	65 Amps AC @ 50°C	DIN Rail	DC12-27S3-S000
DC1S-5027-V1ST	277 VAC	0 - 5 VDC	Single Phase	Zero Cross	60 Amps AC @ 50°C	DIN Rail	DC1T-27S3-S000
DC1S-5027-V200	277 VAC	1 - 5 VDC	Single Phase	Zero Cross	50 Amps AC @ 50°C	DIN Rail	DC10-27S4-0000
DC1S-5027-V201	277 VAC	1 - 5 VDC	Single Phase	Zero Cross	65 Amps AC @ 50°C	DIN Rail	DC11-27S4-0000
DC1S-5027-V202	277 VAC	1 - 5 VDC	Single Phase	Zero Cross	65 Amps AC @ 50°C	DIN Rail	DC12-27S4-0000
DC1S-5027-V20T	277 VAC	1 - 5 VDC	Single Phase	Zero Cross	60 Amps AC @ 50°C	DIN Rail	DC1T-27S4-0000
DC1S-5027-V2S0	277 VAC	1 - 5 VDC	Single Phase	Zero Cross	50 Amps AC @ 50°C	DIN Rail	DC10-27S4-S000
DC1S-5027-V2S1	277 VAC	1 - 5 VDC	Single Phase	Zero Cross	65 Amps AC @ 50°C	DIN Rail	DC11-27S4-S000
DC1S-5027-V2S2	277 VAC	1 - 5 VDC	Single Phase	Zero Cross	65 Amps AC @ 50°C	DIN Rail	DC12-27S4-S000
DC1S-5027-V2ST	277 VAC	1 - 5 VDC	Single Phase	Zero Cross	60 Amps AC @ 50°C	DIN Rail	DC1T-27S4-S000
DC1S-5027-V300	277 VAC	0 - 10 VDC	Single Phase	Zero Cross	50 Amps AC @ 50°C	DIN Rail	DC10-27S5-0000
DC1S-5027-V301	277 VAC	0 - 10 VDC	Single Phase	Zero Cross	65 Amps AC @ 50°C	DIN Rail	DC11-27S5-0000

DIN-a-mite

DC1S-5027-V302	277 VAC	0 - 10 VDC	Single Phase	Zero Cross	65 Amps AC @ 50°C	DIN Rail	DC12-27S5-0000
DC1S-5027-V30T	277 VAC	0 - 10 VDC	Single Phase	Zero Cross	60 Amps AC @ 50°C	DIN Rail	DC1T-27S5-0000
DC1S-5027-V3S0	277 VAC	0 - 10 VDC	Single Phase	Zero Cross	50 Amps AC @ 50°C	DIN Rail	DC10-27S5-S000
DC1S-5027-V3S1	277 VAC	0 - 10 VDC	Single Phase	Zero Cross	65 Amps AC @ 50°C	DIN Rail	DC11-27S5-S000
DC1S-5027-V3S2	277 VAC	0 - 10 VDC	Single Phase	Zero Cross	65 Amps AC @ 50°C	DIN Rail	DC12-27S5-S000
DC1S-5027-V3ST	277 VAC	0 - 10 VDC	Single Phase	Zero Cross	60 Amps AC @ 50°C	DIN Rail	DC1T-27S5-S000
DC1S-5040-F000	400 VAC	4 - 20 mA DC	Single Phase	Zero Cross	50 Amps AC @ 50°C	DIN Rail	DC10-40S0-0000
DC1S-5040-F001	400 VAC	4 - 20 mA DC	Single Phase	Zero Cross	65 Amps AC @ 50°C	DIN Rail	DC11-40S0-0000
DC1S-5040-F002	400 VAC	4 - 20 mA DC	Single Phase	Zero Cross	65 Amps AC @ 50°C	DIN Rail	DC12-40S0-0000
DC1S-5040-F00T	400 VAC	4 - 20 mA DC	Single Phase	Zero Cross	60 Amps AC @ 50°C	DIN Rail	DC1T-40S0-0000
DC1S-5040-F0S0	400 VAC	4 - 20 mA DC	Single Phase	Zero Cross	50 Amps AC @ 50°C	DIN Rail	DC10-40S0-S000
DC1S-5040-F0S1	400 VAC	4 - 20 mA DC	Single Phase	Zero Cross	65 Amps AC @ 50°C	DIN Rail	DC11-40S0-S000
DC1S-5040-F0S2	400 VAC	4 - 20 mA DC	Single Phase	Zero Cross	65 Amps AC @ 50°C	DIN Rail	DC12-40S0-S000
DC1S-5040-F0ST	400 VAC	4 - 20 mA DC	Single Phase	Zero Cross	60 Amps AC @ 50°C	DIN Rail	DC1T-40S0-S000
DC1S-5040-V100	400 VAC	0 - 5 VDC	Single Phase	Zero Cross	50 Amps AC @ 50°C	DIN Rail	DC10-40S3-0000
DC1S-5040-V101	400 VAC	0 - 5 VDC	Single Phase	Zero Cross	65 Amps AC @ 50°C	DIN Rail	DC11-40S3-0000
DC1S-5040-V102	400 VAC	0 - 5 VDC	Single Phase	Zero Cross	65 Amps AC @ 50°C	DIN Rail	DC12-40S3-0000
DC1S-5040-V10T	400 VAC	0 - 5 VDC	Single Phase	Zero Cross	60 Amps AC @ 50°C	DIN Rail	DC1T-40S3-0000
DC1S-5040-V1S0	400 VAC	0 - 5 VDC	Single Phase	Zero Cross	50 Amps AC @ 50°C	DIN Rail	DC10-40S3-S000
DC1S-5040-V1S1	400 VAC	0 - 5 VDC	Single Phase	Zero Cross	65 Amps AC @ 50°C	DIN Rail	DC11-40S3-S000
DC1S-5040-V1S2	400 VAC	0 - 5 VDC	Single Phase	Zero Cross	65 Amps AC @ 50°C	DIN Rail	DC12-40S3-S000
DC1S-5040-V1ST	400 VAC	0 - 5 VDC	Single Phase	Zero Cross	60 Amps AC @ 50°C	DIN Rail	DC1T-40S3-S000
DC1S-5040-V200	400 VAC	1 - 5 VDC	Single Phase	Zero Cross	50 Amps AC @ 50°C	DIN Rail	DC10-40S4-0000
DC1S-5040-V201	400 VAC	1 - 5 VDC	Single Phase	Zero Cross	65 Amps AC @ 50°C	DIN Rail	DC11-40S4-0000
DC1S-5040-V202	400 VAC	1 - 5 VDC	Single Phase	Zero Cross	65 Amps AC @ 50°C	DIN Rail	DC12-40S4-0000
DC1S-5040-V20T	400 VAC	1 - 5 VDC	Single Phase	Zero Cross	60 Amps AC @ 50°C	DIN Rail	DC1T-40S4-0000
DC1S-5040-V2S0	400 VAC	1 - 5 VDC	Single Phase	Zero Cross	50 Amps AC @ 50°C	DIN Rail	DC10-40S4-S000
DC1S-5040-V2S1	400 VAC	1 - 5 VDC	Single Phase	Zero Cross	65 Amps AC @ 50°C	DIN Rail	DC11-40S4-S000
DC1S-5040-V2S2	400 VAC	1 - 5 VDC	Single Phase	Zero Cross	65 Amps AC @ 50°C	DIN Rail	DC12-40S4-S000
DC1S-5040-V2ST	400 VAC	1 - 5 VDC	Single Phase	Zero Cross	60 Amps AC @ 50°C	DIN Rail	DC1T-40S4-S000
DC1S-5040-V300	400 VAC	0 - 10 VDC	Single Phase	Zero Cross	50 Amps AC @ 50°C	DIN Rail	DC10-40S5-0000
DC1S-5040-V301	400 VAC	0 - 10 VDC	Single Phase	Zero Cross	65 Amps AC @ 50°C	DIN Rail	DC11-40S5-0000
DC1S-5040-V302	400 VAC	0 - 10 VDC	Single Phase	Zero Cross	65 Amps AC @ 50°C	DIN Rail	DC12-40S5-0000
DC1S-5040-V30T	400 VAC	0 - 10 VDC	Single Phase	Zero Cross	60 Amps AC @ 50°C	DIN Rail	DC1T-40S5-0000
DC1S-5040-V3S0	400 VAC	0 - 10 VDC	Single Phase	Zero Cross	50 Amps AC @ 50°C	DIN Rail	DC10-40S5-S000
DC1S-5040-V3S1	400 VAC	0 - 10 VDC	Single Phase	Zero Cross	65 Amps AC @ 50°C	DIN Rail	DC11-40S5-S000
DC1S-5040-V3S2	400 VAC	0 - 10 VDC	Single Phase	Zero Cross	65 Amps AC @ 50°C	DIN Rail	DC12-40S5-S000

DIN-a-mite

DC1S-5040-V3ST	400 VAC	0 - 10 VDC	Single Phase	Zero Cross	60 Amps AC @ 50°C	DIN Rail	DC1T-40S5-S000
DC1S-5048-F000	480 VAC	4 - 20 mA DC	Single Phase	Zero Cross	50 Amps AC @ 50°C	DIN Rail	DC10-48S0-0000
DC1S-5048-F001	480 VAC	4 - 20 mA DC	Single Phase	Zero Cross	65 Amps AC @ 50°C	DIN Rail	DC11-48S0-0000
DC1S-5048-F002	480 VAC	4 - 20 mA DC	Single Phase	Zero Cross	65 Amps AC @ 50°C	DIN Rail	DC12-48S0-0000
DC1S-5048-F00T	480 VAC	4 - 20 mA DC	Single Phase	Zero Cross	60 Amps AC @ 50°C	DIN Rail	DC1T-48S0-0000
DC1S-5048-F0S0	480 VAC	4 - 20 mA DC	Single Phase	Zero Cross	50 Amps AC @ 50°C	DIN Rail	DC10-48S0-S000
DC1S-5048-F0S1	480 VAC	4 - 20 mA DC	Single Phase	Zero Cross	65 Amps AC @ 50°C	DIN Rail	DC11-48S0-S000
DC1S-5048-F0S2	480 VAC	4 - 20 mA DC	Single Phase	Zero Cross	65 Amps AC @ 50°C	DIN Rail	DC12-48S0-S000
DC1S-5048-F0ST	480 VAC	4 - 20 mA DC	Single Phase	Zero Cross	60 Amps AC @ 50°C	DIN Rail	DC1T-48S0-S000
DC1S-5048-V100	480 VAC	0 - 5 VDC	Single Phase	Zero Cross	50 Amps AC @ 50°C	DIN Rail	DC10-48S3-0000
DC1S-5048-V101	480 VAC	0 - 5 VDC	Single Phase	Zero Cross	65 Amps AC @ 50°C	DIN Rail	DC11-48S3-0000
DC1S-5048-V102	480 VAC	0 - 5 VDC	Single Phase	Zero Cross	65 Amps AC @ 50°C	DIN Rail	DC12-48S3-0000
DC1S-5048-V10T	480 VAC	0 - 5 VDC	Single Phase	Zero Cross	60 Amps AC @ 50°C	DIN Rail	DC1T-48S3-0000
DC1S-5048-V1S0	480 VAC	0 - 5 VDC	Single Phase	Zero Cross	50 Amps AC @ 50°C	DIN Rail	DC10-48S3-S000
DC1S-5048-V1S1	480 VAC	0 - 5 VDC	Single Phase	Zero Cross	65 Amps AC @ 50°C	DIN Rail	DC11-48S3-S000
DC1S-5048-V1S2	480 VAC	0 - 5 VDC	Single Phase	Zero Cross	65 Amps AC @ 50°C	DIN Rail	DC12-48S3-S000
DC1S-5048-V1ST	480 VAC	0 - 5 VDC	Single Phase	Zero Cross	60 Amps AC @ 50°C	DIN Rail	DC1T-48S3-S000
DC1S-5048-V200	480 VAC	1 - 5 VDC	Single Phase	Zero Cross	50 Amps AC @ 50°C	DIN Rail	DC10-48S4-0000
DC1S-5048-V201	480 VAC	1 - 5 VDC	Single Phase	Zero Cross	65 Amps AC @ 50°C	DIN Rail	DC11-48S4-0000
DC1S-5048-V202	480 VAC	1 - 5 VDC	Single Phase	Zero Cross	65 Amps AC @ 50°C	DIN Rail	DC12-48S4-0000
DC1S-5048-V20T	480 VAC	1 - 5 VDC	Single Phase	Zero Cross	60 Amps AC @ 50°C	DIN Rail	DC1T-48S4-0000
DC1S-5048-V2S0	480 VAC	1 - 5 VDC	Single Phase	Zero Cross	50 Amps AC @ 50°C	DIN Rail	DC10-48S4-S000
DC1S-5048-V2S1	480 VAC	1 - 5 VDC	Single Phase	Zero Cross	65 Amps AC @ 50°C	DIN Rail	DC11-48S4-S000
DC1S-5048-V2S2	480 VAC	1 - 5 VDC	Single Phase	Zero Cross	65 Amps AC @ 50°C	DIN Rail	DC12-48S4-S000
DC1S-5048-V2ST	480 VAC	1 - 5 VDC	Single Phase	Zero Cross	60 Amps AC @ 50°C	DIN Rail	DC1T-48S4-S000
DC1S-5048-V300	480 VAC	0 - 10 VDC	Single Phase	Zero Cross	50 Amps AC @ 50°C	DIN Rail	DC10-48S5-0000
DC1S-5048-V301	480 VAC	0 - 10 VDC	Single Phase	Zero Cross	65 Amps AC @ 50°C	DIN Rail	DC11-48S5-0000
DC1S-5048-V302	480 VAC	0 - 10 VDC	Single Phase	Zero Cross	65 Amps AC @ 50°C	DIN Rail	DC12-48S5-0000
DC1S-5048-V30T	480 VAC	0 - 10 VDC	Single Phase	Zero Cross	60 Amps AC @ 50°C	DIN Rail	DC1T-48S5-0000
DC1S-5048-V3S0	480 VAC	0 - 10 VDC	Single Phase	Zero Cross	50 Amps AC @ 50°C	DIN Rail	DC10-48S5-S000
DC1S-5048-V3S1	480 VAC	0 - 10 VDC	Single Phase	Zero Cross	65 Amps AC @ 50°C	DIN Rail	DC11-48S5-S000
DC1S-5048-V3S2	480 VAC	0 - 10 VDC	Single Phase	Zero Cross	65 Amps AC @ 50°C	DIN Rail	DC12-48S5-S000
DC1S-5048-V3ST	480 VAC	0 - 10 VDC	Single Phase	Zero Cross	60 Amps AC @ 50°C	DIN Rail	DC1T-48S5-S000
DC1V-5024-F000	120 to 240 VAC	4 - 20 mA DC	Single Phase	Zero Cross	50 Amps AC @ 50°C	DIN Rail	DC10-24F0-0000
DC1V-5024-F0S0	120 to 240 VAC	4 - 20 mA DC	Single Phase	Zero Cross	50 Amps AC @ 50°C	DIN Rail	DC10-24F0-S000
DC1V-5060-F000	277 to 600 VAC	4 - 20 mA DC	Single Phase	Zero Cross	50 Amps AC @ 50°C	DIN Rail	DC10-60F0-0000
DC1V-5060-F0S0	277 to 600 VAC	4 - 20 mA DC	Single Phase	Zero Cross	50 Amps AC @ 50°C	DIN Rail	DC10-60F0-S000

DIN-a-mite

DC1V-6024-F00T	120 to 240 VAC	4 - 20 mA DC	Single Phase	Zero Cross	60 Amps AC @ 50°C	DIN Rail	DC1T-24F0-0000
DC1V-6024-F0ST	120 to 240 VAC	4 - 20 mA DC	Single Phase	Zero Cross	60 Amps AC @ 50°C	DIN Rail	DC1T-24F0-S000
DC1V-6060-F00T	277 to 600 VAC	4 - 20 mA DC	Single Phase	Zero Cross	60 Amps AC @ 50°C	DIN Rail	DC1T-60F0-0000
DC1V-6060-F0ST	277 to 600 VAC	4 - 20 mA DC	Single Phase	Zero Cross	60 Amps AC @ 50°C	DIN Rail	DC1T-60F0-S000
DC1V-6524-F001	120 to 240 VAC	4 - 20 mA DC	Single Phase	Zero Cross	65 Amps AC @ 50°C	DIN Rail	DC11-24F0-0000
DC1V-6524-F002	120 to 240 VAC	4 - 20 mA DC	Single Phase	Zero Cross	65 Amps AC @ 50°C	DIN Rail	DC12-24F0-0000
DC1V-6524-F0S1	120 to 240 VAC	4 - 20 mA DC	Single Phase	Zero Cross	65 Amps AC @ 50°C	DIN Rail	DC11-24F0-S000
DC1V-6524-F0S2	120 to 240 VAC	4 - 20 mA DC	Single Phase	Zero Cross	65 Amps AC @ 50°C	DIN Rail	DC12-24F0-S000
DC1V-6560-F001	277 to 600 VAC	4 - 20 mA DC	Single Phase	Zero Cross	65 Amps AC @ 50°C	DIN Rail	DC11-60F0-0000
DC1V-6560-F002	277 to 600 VAC	4 - 20 mA DC	Single Phase	Zero Cross	65 Amps AC @ 50°C	DIN Rail	DC12-60F0-0000
DC1V-6560-F0S1	277 to 600 VAC	4 - 20 mA DC	Single Phase	Zero Cross	65 Amps AC @ 50°C	DIN Rail	DC11-60F0-S000
DC1V-6560-F0S2	277 to 600 VAC	4 - 20 mA DC	Single Phase	Zero Cross	65 Amps AC @ 50°C	DIN Rail	DC12-60F0-S000
DC2C-4024-C000	120 to 240 VAC	4.5 to 32 VDC	3 Phase, 2 leg	Zero Cross	40 Amps AC @ 50°C	DIN Rail	DC20-24C0-0000
DC2C-4024-C0S0	120 to 240 VAC	4.5 to 32 VDC	3 Phase, 2 leg	Zero Cross	40 Amps AC @ 50°C	DIN Rail	DC20-24C0-S000
DC2C-4024-C200	120 to 240 VAC	4.5 to 32 VDC	3 Phase, 2 leg	Zero Cross	40 Amps AC @ 50°C	DIN Rail	DC80-24C0-0000
DC2C-4024-K100	120 to 240 VAC	24 VAC	3 Phase, 2 leg	Zero Cross	40 Amps AC @ 50°C	DIN Rail	DC20-24K1-0000
DC2C-4024-K1S0	120 to 240 VAC	24 VAC	3 Phase, 2 leg	Zero Cross	40 Amps AC @ 50°C	DIN Rail	DC20-24K1-S000
DC2C-4024-K200	120 to 240 VAC	120 VAC	3 Phase, 2 leg	Zero Cross	40 Amps AC @ 50°C	DIN Rail	DC20-24K2-0000
DC2C-4024-K2S0	120 to 240 VAC	120 VAC	3 Phase, 2 leg	Zero Cross	40 Amps AC @ 50°C	DIN Rail	DC20-24K2-S000
DC2C-4024-K300	120 to 240 VAC	240 VAC	3 Phase, 2 leg	Zero Cross	40 Amps AC @ 50°C	DIN Rail	DC20-24K3-0000
DC2C-4024-K3S0	120 to 240 VAC	240 VAC	3 Phase, 2 leg	Zero Cross	40 Amps AC @ 50°C	DIN Rail	DC20-24K3-S000
DC2C-4060-C000	277 to 600 VAC	4.5 to 32 VDC	3 Phase, 2 leg	Zero Cross	40 Amps AC @ 50°C	DIN Rail	DC20-60C0-0000
DC2C-4060-C0S0	277 to 600 VAC	4.5 to 32 VDC	3 Phase, 2 leg	Zero Cross	40 Amps AC @ 50°C	DIN Rail	DC20-60C0-S000
DC2C-4060-C200	277 to 600 VAC	4.5 to 32 VDC	3 Phase, 2 leg	Zero Cross	40 Amps AC @ 50°C	DIN Rail	DC80-60C0-0000
DC2C-4060-K100	277 to 600 VAC	24 VAC	3 Phase, 2 leg	Zero Cross	40 Amps AC @ 50°C	DIN Rail	DC20-60K1-0000
DC2C-4060-K1S0	277 to 600 VAC	24 VAC	3 Phase, 2 leg	Zero Cross	40 Amps AC @ 50°C	DIN Rail	DC20-60K1-S000
DC2C-4060-K200	277 to 600 VAC	120 VAC	3 Phase, 2 leg	Zero Cross	40 Amps AC @ 50°C	DIN Rail	DC20-60K2-0000
DC2C-4060-K2S0	277 to 600 VAC	120 VAC	3 Phase, 2 leg	Zero Cross	40 Amps AC @ 50°C	DIN Rail	DC20-60K2-S000
DC2C-4060-K300	277 to 600 VAC	240 VAC	3 Phase, 2 leg	Zero Cross	40 Amps AC @ 50°C	DIN Rail	DC20-60K3-0000
DC2C-4060-K3S0	277 to 600 VAC	240 VAC	3 Phase, 2 leg	Zero Cross	40 Amps AC @ 50°C	DIN Rail	DC20-60K3-S000
DC2C-4524-C00T	120 to 240 VAC	4.5 to 32 VDC	3 Phase, 2 leg	Zero Cross	45 Amps AC @ 50°C	DIN Rail	DC2T-24C0-0000
DC2C-4524-C0ST	120 to 240 VAC	4.5 to 32 VDC	3 Phase, 2 leg	Zero Cross	45 Amps AC @ 50°C	DIN Rail	DC2T-24C0-S000
DC2C-4524-C20T	120 to 240 VAC	4.5 to 32 VDC	3 Phase, 2 leg	Zero Cross	45 Amps AC @ 50°C	DIN Rail	DC8T-24C0-0000
DC2C-4524-K10T	120 to 240 VAC	24 VAC	3 Phase, 2 leg	Zero Cross	45 Amps AC @ 50°C	DIN Rail	DC2T-24K1-0000
DC2C-4524-K1ST	120 to 240 VAC	24 VAC	3 Phase, 2 leg	Zero Cross	45 Amps AC @ 50°C	DIN Rail	DC2T-24K1-S000
DC2C-4524-K20T	120 to 240 VAC	120 VAC	3 Phase, 2 leg	Zero Cross	45 Amps AC @ 50°C	DIN Rail	DC2T-24K2-0000
DC2C-4524-K2ST	120 to 240 VAC	120 VAC	3 Phase, 2 leg	Zero Cross	45 Amps AC @ 50°C	DIN Rail	DC2T-24K2-S000

DIN-a-mite

DC2C-4524-K30T	120 to 240 VAC	240 VAC	3 Phase, 2 leg	Zero Cross	45 Amps AC @ 50°C	DIN Rail	DC2T-24K3-0000
DC2C-4524-K3ST	120 to 240 VAC	240 VAC	3 Phase, 2 leg	Zero Cross	45 Amps AC @ 50°C	DIN Rail	DC2T-24K3-S000
DC2C-4560-C00T	277 to 600 VAC	4.5 to 32 VDC	3 Phase, 2 leg	Zero Cross	45 Amps AC @ 50°C	DIN Rail	DC2T-60C0-0000
DC2C-4560-C0ST	277 to 600 VAC	4.5 to 32 VDC	3 Phase, 2 leg	Zero Cross	45 Amps AC @ 50°C	DIN Rail	DC2T-60C0-S000
DC2C-4560-C20T	277 to 600 VAC	4.5 to 32 VDC	3 Phase, 2 leg	Zero Cross	45 Amps AC @ 50°C	DIN Rail	DC8T-60C0-0000
DC2C-4560-K10T	277 to 600 VAC	24 VAC	3 Phase, 2 leg	Zero Cross	45 Amps AC @ 50°C	DIN Rail	DC2T-60K1-0000
DC2C-4560-K1ST	277 to 600 VAC	24 VAC	3 Phase, 2 leg	Zero Cross	45 Amps AC @ 50°C	DIN Rail	DC2T-60K1-S000
DC2C-4560-K20T	277 to 600 VAC	120 VAC	3 Phase, 2 leg	Zero Cross	45 Amps AC @ 50°C	DIN Rail	DC2T-60K2-0000
DC2C-4560-K2ST	277 to 600 VAC	120 VAC	3 Phase, 2 leg	Zero Cross	45 Amps AC @ 50°C	DIN Rail	DC2T-60K2-S000
DC2C-4560-K30T	277 to 600 VAC	240 VAC	3 Phase, 2 leg	Zero Cross	45 Amps AC @ 50°C	DIN Rail	DC2T-60K3-0000
DC2C-4560-K3ST	277 to 600 VAC	240 VAC	3 Phase, 2 leg	Zero Cross	45 Amps AC @ 50°C	DIN Rail	DC2T-60K3-S000
DC2C-5624-C001	120 to 240 VAC	4.5 to 32 VDC	3 Phase, 2 leg	Zero Cross	56 Amps AC @ 50°C	DIN Rail	DC21-24C0-0000
DC2C-5624-C002	120 to 240 VAC	4.5 to 32 VDC	3 Phase, 2 leg	Zero Cross	56 Amps AC @ 50°C	DIN Rail	DC22-24C0-0000
DC2C-5624-C0S1	120 to 240 VAC	4.5 to 32 VDC	3 Phase, 2 leg	Zero Cross	56 Amps AC @ 50°C	DIN Rail	DC21-24C0-S000
DC2C-5624-C0S2	120 to 240 VAC	4.5 to 32 VDC	3 Phase, 2 leg	Zero Cross	56 Amps AC @ 50°C	DIN Rail	DC22-24C0-S000
DC2C-5624-C201	120 to 240 VAC	4.5 to 32 VDC	3 Phase, 2 leg	Zero Cross	56 Amps AC @ 50°C	DIN Rail	DC81-24C0-0000
DC2C-5624-C202	120 to 240 VAC	4.5 to 32 VDC	3 Phase, 2 leg	Zero Cross	56 Amps AC @ 50°C	DIN Rail	DC82-24C0-0000
DC2C-5624-K101	120 to 240 VAC	24 VAC	3 Phase, 2 leg	Zero Cross	56 Amps AC @ 50°C	DIN Rail	DC21-24K1-0000
DC2C-5624-K102	120 to 240 VAC	24 VAC	3 Phase, 2 leg	Zero Cross	56 Amps AC @ 50°C	DIN Rail	DC22-24K1-0000
DC2C-5624-K1S1	120 to 240 VAC	24 VAC	3 Phase, 2 leg	Zero Cross	56 Amps AC @ 50°C	DIN Rail	DC21-24K1-S000
DC2C-5624-K1S2	120 to 240 VAC	24 VAC	3 Phase, 2 leg	Zero Cross	56 Amps AC @ 50°C	DIN Rail	DC22-24K1-S000
DC2C-5624-K201	120 to 240 VAC	120 VAC	3 Phase, 2 leg	Zero Cross	56 Amps AC @ 50°C	DIN Rail	DC21-24K2-0000
DC2C-5624-K202	120 to 240 VAC	120 VAC	3 Phase, 2 leg	Zero Cross	56 Amps AC @ 50°C	DIN Rail	DC22-24K2-0000
DC2C-5624-K2S1	120 to 240 VAC	120 VAC	3 Phase, 2 leg	Zero Cross	56 Amps AC @ 50°C	DIN Rail	DC21-24K2-S000
DC2C-5624-K2S2	120 to 240 VAC	120 VAC	3 Phase, 2 leg	Zero Cross	56 Amps AC @ 50°C	DIN Rail	DC22-24K2-S000
DC2C-5624-K301	120 to 240 VAC	240 VAC	3 Phase, 2 leg	Zero Cross	56 Amps AC @ 50°C	DIN Rail	DC21-24K3-0000
DC2C-5624-K302	120 to 240 VAC	240 VAC	3 Phase, 2 leg	Zero Cross	56 Amps AC @ 50°C	DIN Rail	DC22-24K3-0000
DC2C-5624-K3S1	120 to 240 VAC	240 VAC	3 Phase, 2 leg	Zero Cross	56 Amps AC @ 50°C	DIN Rail	DC21-24K3-S000
DC2C-5624-K3S2	120 to 240 VAC	240 VAC	3 Phase, 2 leg	Zero Cross	56 Amps AC @ 50°C	DIN Rail	DC22-24K3-S000
DC2C-5660-C001	277 to 600 VAC	4.5 to 32 VDC	3 Phase, 2 leg	Zero Cross	56 Amps AC @ 50°C	DIN Rail	DC21-60C0-0000
DC2C-5660-C002	277 to 600 VAC	4.5 to 32 VDC	3 Phase, 2 leg	Zero Cross	56 Amps AC @ 50°C	DIN Rail	DC22-60C0-0000
DC2C-5660-C0S1	277 to 600 VAC	4.5 to 32 VDC	3 Phase, 2 leg	Zero Cross	56 Amps AC @ 50°C	DIN Rail	DC21-60C0-S000
DC2C-5660-C0S2	277 to 600 VAC	4.5 to 32 VDC	3 Phase, 2 leg	Zero Cross	56 Amps AC @ 50°C	DIN Rail	DC22-60C0-S000
DC2C-5660-C201	277 to 600 VAC	4.5 to 32 VDC	3 Phase, 2 leg	Zero Cross	56 Amps AC @ 50°C	DIN Rail	DC81-60C0-0000
DC2C-5660-C202	277 to 600 VAC	4.5 to 32 VDC	3 Phase, 2 leg	Zero Cross	56 Amps AC @ 50°C	DIN Rail	DC82-60C0-0000
DC2C-5660-K101	277 to 600 VAC	24 VAC	3 Phase, 2 leg	Zero Cross	56 Amps AC @ 50°C	DIN Rail	DC21-60K1-0000
DC2C-5660-K102	277 to 600 VAC	24 VAC	3 Phase, 2 leg	Zero Cross	56 Amps AC @ 50°C	DIN Rail	DC22-60K1-0000

DIN-a-mite

DC2C-5660-K1S1	277 to 600 VAC	24 VAC	3 Phase, 2 leg	Zero Cross	56 Amps AC @ 50°C	DIN Rail	DC21-60K1-S000
DC2C-5660-K1S2	277 to 600 VAC	24 VAC	3 Phase, 2 leg	Zero Cross	56 Amps AC @ 50°C	DIN Rail	DC22-60K1-S000
DC2C-5660-K201	277 to 600 VAC	120 VAC	3 Phase, 2 leg	Zero Cross	56 Amps AC @ 50°C	DIN Rail	DC21-60K2-0000
DC2C-5660-K202	277 to 600 VAC	120 VAC	3 Phase, 2 leg	Zero Cross	56 Amps AC @ 50°C	DIN Rail	DC22-60K2-0000
DC2C-5660-K2S1	277 to 600 VAC	120 VAC	3 Phase, 2 leg	Zero Cross	56 Amps AC @ 50°C	DIN Rail	DC21-60K2-S000
DC2C-5660-K2S2	277 to 600 VAC	120 VAC	3 Phase, 2 leg	Zero Cross	56 Amps AC @ 50°C	DIN Rail	DC22-60K2-S000
DC2C-5660-K301	277 to 600 VAC	240 VAC	3 Phase, 2 leg	Zero Cross	56 Amps AC @ 50°C	DIN Rail	DC21-60K3-0000
DC2C-5660-K302	277 to 600 VAC	240 VAC	3 Phase, 2 leg	Zero Cross	56 Amps AC @ 50°C	DIN Rail	DC22-60K3-0000
DC2C-5660-K3S1	277 to 600 VAC	240 VAC	3 Phase, 2 leg	Zero Cross	56 Amps AC @ 50°C	DIN Rail	DC21-60K3-S000
DC2C-5660-K3S2	277 to 600 VAC	240 VAC	3 Phase, 2 leg	Zero Cross	56 Amps AC @ 50°C	DIN Rail	DC22-60K3-S000
DC2S-4012-F000	120 VAC	4 - 20 mA DC	3 Phase, 2 leg	Zero Cross	40 Amps AC @ 50°C	DIN Rail	DC20-12S0-0000
DC2S-4012-F0S0	120 VAC	4 - 20 mA DC	3 Phase, 2 leg	Zero Cross	40 Amps AC @ 50°C	DIN Rail	DC20-12S0-S000
DC2S-4012-V100	120 VAC	0 - 5 VDC	3 Phase, 2 leg	Zero Cross	40 Amps AC @ 50°C	DIN Rail	DC20-12S3-0000
DC2S-4012-V1S0	120 VAC	0 - 5 VDC	3 Phase, 2 leg	Zero Cross	40 Amps AC @ 50°C	DIN Rail	DC20-12S3-S000
DC2S-4012-V200	120 VAC	1 - 5 VDC	3 Phase, 2 leg	Zero Cross	40 Amps AC @ 50°C	DIN Rail	DC20-12S4-0000
DC2S-4012-V2S0	120 VAC	1 - 5 VDC	3 Phase, 2 leg	Zero Cross	40 Amps AC @ 50°C	DIN Rail	DC20-12S4-S000
DC2S-4012-V300	120 VAC	0 - 10 VDC	3 Phase, 2 leg	Zero Cross	40 Amps AC @ 50°C	DIN Rail	DC20-12S5-0000
DC2S-4012-V3S0	120 VAC	0 - 10 VDC	3 Phase, 2 leg	Zero Cross	40 Amps AC @ 50°C	DIN Rail	DC20-12S5-S000
DC2S-4020-F000	208 VAC	4 - 20 mA DC	3 Phase, 2 leg	Zero Cross	40 Amps AC @ 50°C	DIN Rail	DC20-20S0-0000
DC2S-4020-F0S0	208 VAC	4 - 20 mA DC	3 Phase, 2 leg	Zero Cross	40 Amps AC @ 50°C	DIN Rail	DC20-20S0-S000
DC2S-4020-V100	208 VAC	0 - 5 VDC	3 Phase, 2 leg	Zero Cross	40 Amps AC @ 50°C	DIN Rail	DC20-20S3-0000
DC2S-4020-V1S0	208 VAC	0 - 5 VDC	3 Phase, 2 leg	Zero Cross	40 Amps AC @ 50°C	DIN Rail	DC20-20S3-S000
DC2S-4020-V200	208 VAC	1 - 5 VDC	3 Phase, 2 leg	Zero Cross	40 Amps AC @ 50°C	DIN Rail	DC20-20S4-0000
DC2S-4020-V2S0	208 VAC	1 - 5 VDC	3 Phase, 2 leg	Zero Cross	40 Amps AC @ 50°C	DIN Rail	DC20-20S4-S000
DC2S-4020-V300	208 VAC	0 - 10 VDC	3 Phase, 2 leg	Zero Cross	40 Amps AC @ 50°C	DIN Rail	DC20-20S5-0000
DC2S-4020-V3S0	208 VAC	0 - 10 VDC	3 Phase, 2 leg	Zero Cross	40 Amps AC @ 50°C	DIN Rail	DC20-20S5-S000
DC2S-4024-F000	240 VAC	4 - 20 mA DC	3 Phase, 2 leg	Zero Cross	40 Amps AC @ 50°C	DIN Rail	DC20-24S0-0000
DC2S-4024-F0S0	240 VAC	4 - 20 mA DC	3 Phase, 2 leg	Zero Cross	40 Amps AC @ 50°C	DIN Rail	DC20-24S0-S000
DC2S-4024-V100	240 VAC	0 - 5 VDC	3 Phase, 2 leg	Zero Cross	40 Amps AC @ 50°C	DIN Rail	DC20-24S3-0000
DC2S-4024-V1S0	240 VAC	0 - 5 VDC	3 Phase, 2 leg	Zero Cross	40 Amps AC @ 50°C	DIN Rail	DC20-24S3-S000
DC2S-4024-V200	240 VAC	1 - 5 VDC	3 Phase, 2 leg	Zero Cross	40 Amps AC @ 50°C	DIN Rail	DC20-24S4-0000
DC2S-4024-V2S0	240 VAC	1 - 5 VDC	3 Phase, 2 leg	Zero Cross	40 Amps AC @ 50°C	DIN Rail	DC20-24S4-S000
DC2S-4024-V300	240 VAC	0 - 10 VDC	3 Phase, 2 leg	Zero Cross	40 Amps AC @ 50°C	DIN Rail	DC20-24S5-0000
DC2S-4024-V3S0	240 VAC	0 - 10 VDC	3 Phase, 2 leg	Zero Cross	40 Amps AC @ 50°C	DIN Rail	DC20-24S5-S000
DC2S-4027-F000	277 VAC	4 - 20 mA DC	3 Phase, 2 leg	Zero Cross	40 Amps AC @ 50°C	DIN Rail	DC20-27S0-0000
DC2S-4027-F0S0	277 VAC	4 - 20 mA DC	3 Phase, 2 leg	Zero Cross	40 Amps AC @ 50°C	DIN Rail	DC20-27S0-S000
DC2S-4027-V100	277 VAC	0 - 5 VDC	3 Phase, 2 leg	Zero Cross	40 Amps AC @ 50°C	DIN Rail	DC20-27S3-0000

DIN-a-mite

DC2S-4027-V1S0	277 VAC	0 - 5 VDC	3 Phase, 2 leg	Zero Cross	40 Amps AC @ 50°C	DIN Rail	DC20-27S3-S000
DC2S-4027-V200	277 VAC	1 - 5 VDC	3 Phase, 2 leg	Zero Cross	40 Amps AC @ 50°C	DIN Rail	DC20-27S4-0000
DC2S-4027-V2S0	277 VAC	1 - 5 VDC	3 Phase, 2 leg	Zero Cross	40 Amps AC @ 50°C	DIN Rail	DC20-27S4-S000
DC2S-4027-V300	277 VAC	0 - 10 VDC	3 Phase, 2 leg	Zero Cross	40 Amps AC @ 50°C	DIN Rail	DC20-27S5-0000
DC2S-4027-V3S0	277 VAC	0 - 10 VDC	3 Phase, 2 leg	Zero Cross	40 Amps AC @ 50°C	DIN Rail	DC20-27S5-S000
DC2S-4040-F000	400 VAC	4 - 20 mA DC	3 Phase, 2 leg	Zero Cross	40 Amps AC @ 50°C	DIN Rail	DC20-40S0-0000
DC2S-4040-F0S0	400 VAC	4 - 20 mA DC	3 Phase, 2 leg	Zero Cross	40 Amps AC @ 50°C	DIN Rail	DC20-40S0-S000
DC2S-4040-V100	400 VAC	0 - 5 VDC	3 Phase, 2 leg	Zero Cross	40 Amps AC @ 50°C	DIN Rail	DC20-40S3-0000
DC2S-4040-V1S0	400 VAC	0 - 5 VDC	3 Phase, 2 leg	Zero Cross	40 Amps AC @ 50°C	DIN Rail	DC20-40S3-S000
DC2S-4040-V200	400 VAC	1 - 5 VDC	3 Phase, 2 leg	Zero Cross	40 Amps AC @ 50°C	DIN Rail	DC20-40S4-0000
DC2S-4040-V2S0	400 VAC	1 - 5 VDC	3 Phase, 2 leg	Zero Cross	40 Amps AC @ 50°C	DIN Rail	DC20-40S4-S000
DC2S-4040-V300	400 VAC	0 - 10 VDC	3 Phase, 2 leg	Zero Cross	40 Amps AC @ 50°C	DIN Rail	DC20-40S5-0000
DC2S-4040-V3S0	400 VAC	0 - 10 VDC	3 Phase, 2 leg	Zero Cross	40 Amps AC @ 50°C	DIN Rail	DC20-40S5-S000
DC2S-4048-F000	480 VAC	4 - 20 mA DC	3 Phase, 2 leg	Zero Cross	40 Amps AC @ 50°C	DIN Rail	DC20-48S0-0000
DC2S-4048-F0S0	480 VAC	4 - 20 mA DC	3 Phase, 2 leg	Zero Cross	40 Amps AC @ 50°C	DIN Rail	DC20-48S0-S000
DC2S-4048-V100	480 VAC	0 - 5 VDC	3 Phase, 2 leg	Zero Cross	40 Amps AC @ 50°C	DIN Rail	DC20-48S3-0000
DC2S-4048-V1S0	480 VAC	0 - 5 VDC	3 Phase, 2 leg	Zero Cross	40 Amps AC @ 50°C	DIN Rail	DC20-48S3-S000
DC2S-4048-V200	480 VAC	1 - 5 VDC	3 Phase, 2 leg	Zero Cross	40 Amps AC @ 50°C	DIN Rail	DC20-48S4-0000
DC2S-4048-V2S0	480 VAC	1 - 5 VDC	3 Phase, 2 leg	Zero Cross	40 Amps AC @ 50°C	DIN Rail	DC20-48S4-S000
DC2S-4048-V300	480 VAC	0 - 10 VDC	3 Phase, 2 leg	Zero Cross	40 Amps AC @ 50°C	DIN Rail	DC20-48S5-0000
DC2S-4048-V3S0	480 VAC	0 - 10 VDC	3 Phase, 2 leg	Zero Cross	40 Amps AC @ 50°C	DIN Rail	DC20-48S5-S000
DC2S-4060-V200	600 VAC	1 - 5 VDC	3 Phase, 2 leg	Zero Cross	40 Amps AC @ 50°C	DIN Rail	DC20-60S4-0000
DC2S-4060-V3S0	600 VAC	0 - 10 VDC	3 Phase, 2 leg	Zero Cross	40 Amps AC @ 50°C	DIN Rail	DC20-60S5-S000
DC2S-4512-F00T	120 VAC	4 - 20 mA DC	3 Phase, 2 leg	Zero Cross	45 Amps AC @ 50°C	DIN Rail	DC2T-12S0-0000
DC2S-4512-F0ST	120 VAC	4 - 20 mA DC	3 Phase, 2 leg	Zero Cross	45 Amps AC @ 50°C	DIN Rail	DC2T-12S0-S000
DC2S-4512-V10T	120 VAC	0 - 5 VDC	3 Phase, 2 leg	Zero Cross	45 Amps AC @ 50°C	DIN Rail	DC2T-12S3-0000
DC2S-4512-V1ST	120 VAC	0 - 5 VDC	3 Phase, 2 leg	Zero Cross	45 Amps AC @ 50°C	DIN Rail	DC2T-12S3-S000
DC2S-4512-V20T	120 VAC	1 - 5 VDC	3 Phase, 2 leg	Zero Cross	45 Amps AC @ 50°C	DIN Rail	DC2T-12S4-0000
DC2S-4512-V2ST	120 VAC	1 - 5 VDC	3 Phase, 2 leg	Zero Cross	45 Amps AC @ 50°C	DIN Rail	DC2T-12S4-S000
DC2S-4512-V30T	120 VAC	0 - 10 VDC	3 Phase, 2 leg	Zero Cross	45 Amps AC @ 50°C	DIN Rail	DC2T-12S5-0000
DC2S-4512-V3ST	120 VAC	0 - 10 VDC	3 Phase, 2 leg	Zero Cross	45 Amps AC @ 50°C	DIN Rail	DC2T-12S5-S000
DC2S-4520-F00T	208 VAC	4 - 20 mA DC	3 Phase, 2 leg	Zero Cross	45 Amps AC @ 50°C	DIN Rail	DC2T-20S0-0000
DC2S-4520-F0ST	208 VAC	4 - 20 mA DC	3 Phase, 2 leg	Zero Cross	45 Amps AC @ 50°C	DIN Rail	DC2T-20S0-S000
DC2S-4520-V10T	208 VAC	0 - 5 VDC	3 Phase, 2 leg	Zero Cross	45 Amps AC @ 50°C	DIN Rail	DC2T-20S3-0000
DC2S-4520-V1ST	208 VAC	0 - 5 VDC	3 Phase, 2 leg	Zero Cross	45 Amps AC @ 50°C	DIN Rail	DC2T-20S3-S000
DC2S-4520-V20T	208 VAC	1 - 5 VDC	3 Phase, 2 leg	Zero Cross	45 Amps AC @ 50°C	DIN Rail	DC2T-20S4-0000
DC2S-4520-V2ST	208 VAC	1 - 5 VDC	3 Phase, 2 leg	Zero Cross	45 Amps AC @ 50°C	DIN Rail	DC2T-20S4-S000

DIN-a-mite

DC2S-4520-V30T	208 VAC	0 - 10 VDC	3 Phase, 2 leg	Zero Cross	45 Amps AC @ 50°C	DIN Rail	DC2T-20S5-0000
DC2S-4520-V3ST	208 VAC	0 - 10 VDC	3 Phase, 2 leg	Zero Cross	45 Amps AC @ 50°C	DIN Rail	DC2T-20S5-S000
DC2S-4524-F00T	240 VAC	4 - 20 mA DC	3 Phase, 2 leg	Zero Cross	45 Amps AC @ 50°C	DIN Rail	DC2T-24S0-0000
DC2S-4524-F0ST	240 VAC	4 - 20 mA DC	3 Phase, 2 leg	Zero Cross	45 Amps AC @ 50°C	DIN Rail	DC2T-24S0-S000
DC2S-4524-V10T	240 VAC	0 - 5 VDC	3 Phase, 2 leg	Zero Cross	45 Amps AC @ 50°C	DIN Rail	DC2T-24S3-0000
DC2S-4524-V1ST	240 VAC	0 - 5 VDC	3 Phase, 2 leg	Zero Cross	45 Amps AC @ 50°C	DIN Rail	DC2T-24S3-S000
DC2S-4524-V20T	240 VAC	1 - 5 VDC	3 Phase, 2 leg	Zero Cross	45 Amps AC @ 50°C	DIN Rail	DC2T-24S4-0000
DC2S-4524-V2ST	240 VAC	1 - 5 VDC	3 Phase, 2 leg	Zero Cross	45 Amps AC @ 50°C	DIN Rail	DC2T-24S4-S000
DC2S-4524-V30T	240 VAC	0 - 10 VDC	3 Phase, 2 leg	Zero Cross	45 Amps AC @ 50°C	DIN Rail	DC2T-24S5-0000
DC2S-4524-V3ST	240 VAC	0 - 10 VDC	3 Phase, 2 leg	Zero Cross	45 Amps AC @ 50°C	DIN Rail	DC2T-24S5-S000
DC2S-4527-F00T	277 VAC	4 - 20 mA DC	3 Phase, 2 leg	Zero Cross	45 Amps AC @ 50°C	DIN Rail	DC2T-27S0-0000
DC2S-4527-F0ST	277 VAC	4 - 20 mA DC	3 Phase, 2 leg	Zero Cross	45 Amps AC @ 50°C	DIN Rail	DC2T-27S0-S000
DC2S-4527-V10T	277 VAC	0 - 5 VDC	3 Phase, 2 leg	Zero Cross	45 Amps AC @ 50°C	DIN Rail	DC2T-27S3-0000
DC2S-4527-V1ST	277 VAC	0 - 5 VDC	3 Phase, 2 leg	Zero Cross	45 Amps AC @ 50°C	DIN Rail	DC2T-27S3-S000
DC2S-4527-V20T	277 VAC	1 - 5 VDC	3 Phase, 2 leg	Zero Cross	45 Amps AC @ 50°C	DIN Rail	DC2T-27S4-0000
DC2S-4527-V2ST	277 VAC	1 - 5 VDC	3 Phase, 2 leg	Zero Cross	45 Amps AC @ 50°C	DIN Rail	DC2T-27S4-S000
DC2S-4527-V30T	277 VAC	0 - 10 VDC	3 Phase, 2 leg	Zero Cross	45 Amps AC @ 50°C	DIN Rail	DC2T-27S5-0000
DC2S-4527-V3ST	277 VAC	0 - 10 VDC	3 Phase, 2 leg	Zero Cross	45 Amps AC @ 50°C	DIN Rail	DC2T-27S5-S000
DC2S-4540-F00T	400 VAC	4 - 20 mA DC	3 Phase, 2 leg	Zero Cross	45 Amps AC @ 50°C	DIN Rail	DC2T-40S0-0000
DC2S-4540-F0ST	400 VAC	4 - 20 mA DC	3 Phase, 2 leg	Zero Cross	45 Amps AC @ 50°C	DIN Rail	DC2T-40S0-S000
DC2S-4540-V10T	400 VAC	0 - 5 VDC	3 Phase, 2 leg	Zero Cross	45 Amps AC @ 50°C	DIN Rail	DC2T-40S3-0000
DC2S-4540-V1ST	400 VAC	0 - 5 VDC	3 Phase, 2 leg	Zero Cross	45 Amps AC @ 50°C	DIN Rail	DC2T-40S3-S000
DC2S-4540-V20T	400 VAC	1 - 5 VDC	3 Phase, 2 leg	Zero Cross	45 Amps AC @ 50°C	DIN Rail	DC2T-40S4-0000
DC2S-4540-V2ST	400 VAC	1 - 5 VDC	3 Phase, 2 leg	Zero Cross	45 Amps AC @ 50°C	DIN Rail	DC2T-40S4-S000
DC2S-4540-V30T	400 VAC	0 - 10 VDC	3 Phase, 2 leg	Zero Cross	45 Amps AC @ 50°C	DIN Rail	DC2T-40S5-0000
DC2S-4540-V3ST	400 VAC	0 - 10 VDC	3 Phase, 2 leg	Zero Cross	45 Amps AC @ 50°C	DIN Rail	DC2T-40S5-S000
DC2S-4548-F00T	480 VAC	4 - 20 mA DC	3 Phase, 2 leg	Zero Cross	45 Amps AC @ 50°C	DIN Rail	DC2T-48S0-0000
DC2S-4548-F0ST	480 VAC	4 - 20 mA DC	3 Phase, 2 leg	Zero Cross	45 Amps AC @ 50°C	DIN Rail	DC2T-48S0-S000
DC2S-4548-V10T	480 VAC	0 - 5 VDC	3 Phase, 2 leg	Zero Cross	45 Amps AC @ 50°C	DIN Rail	DC2T-48S3-0000
DC2S-4548-V1ST	480 VAC	0 - 5 VDC	3 Phase, 2 leg	Zero Cross	45 Amps AC @ 50°C	DIN Rail	DC2T-48S3-S000
DC2S-4548-V20T	480 VAC	1 - 5 VDC	3 Phase, 2 leg	Zero Cross	45 Amps AC @ 50°C	DIN Rail	DC2T-48S4-0000
DC2S-4548-V2ST	480 VAC	1 - 5 VDC	3 Phase, 2 leg	Zero Cross	45 Amps AC @ 50°C	DIN Rail	DC2T-48S4-S000
DC2S-4548-V30T	480 VAC	0 - 10 VDC	3 Phase, 2 leg	Zero Cross	45 Amps AC @ 50°C	DIN Rail	DC2T-48S5-0000
DC2S-4548-V3ST	480 VAC	0 - 10 VDC	3 Phase, 2 leg	Zero Cross	45 Amps AC @ 50°C	DIN Rail	DC2T-48S5-S000
DC2S-4560-V20T	600 VAC	1 - 5 VDC	3 Phase, 2 leg	Zero Cross	45 Amps AC @ 50°C	DIN Rail	DC2T-60S4-S000
DC2S-5612-F001	120 VAC	4 - 20 mA DC	3 Phase, 2 leg	Zero Cross	56 Amps AC @ 50°C	DIN Rail	DC21-12S0-0000
DC2S-5612-F002	120 VAC	4 - 20 mA DC	3 Phase, 2 leg	Zero Cross	56 Amps AC @ 50°C	DIN Rail	DC22-12S0-0000

DIN-a-mite

DC2S-5612-F0S1	120 VAC	4 - 20 mA DC	3 Phase, 2 leg	Zero Cross	56 Amps AC @ 50°C	DIN Rail	DC21-12S0-S000
DC2S-5612-F0S2	120 VAC	4 - 20 mA DC	3 Phase, 2 leg	Zero Cross	56 Amps AC @ 50°C	DIN Rail	DC22-12S0-S000
DC2S-5612-V101	120 VAC	0 - 5 VDC	3 Phase, 2 leg	Zero Cross	56 Amps AC @ 50°C	DIN Rail	DC21-12S3-0000
DC2S-5612-V102	120 VAC	0 - 5 VDC	3 Phase, 2 leg	Zero Cross	56 Amps AC @ 50°C	DIN Rail	DC22-12S3-0000
DC2S-5612-V1S1	120 VAC	0 - 5 VDC	3 Phase, 2 leg	Zero Cross	56 Amps AC @ 50°C	DIN Rail	DC21-12S3-S000
DC2S-5612-V1S2	120 VAC	0 - 5 VDC	3 Phase, 2 leg	Zero Cross	56 Amps AC @ 50°C	DIN Rail	DC22-12S3-S000
DC2S-5612-V201	120 VAC	1 - 5 VDC	3 Phase, 2 leg	Zero Cross	56 Amps AC @ 50°C	DIN Rail	DC21-12S4-0000
DC2S-5612-V202	120 VAC	1 - 5 VDC	3 Phase, 2 leg	Zero Cross	56 Amps AC @ 50°C	DIN Rail	DC22-12S4-0000
DC2S-5612-V2S1	120 VAC	1 - 5 VDC	3 Phase, 2 leg	Zero Cross	56 Amps AC @ 50°C	DIN Rail	DC21-12S4-S000
DC2S-5612-V2S2	120 VAC	1 - 5 VDC	3 Phase, 2 leg	Zero Cross	56 Amps AC @ 50°C	DIN Rail	DC22-12S4-S000
DC2S-5612-V301	120 VAC	0 - 10 VDC	3 Phase, 2 leg	Zero Cross	56 Amps AC @ 50°C	DIN Rail	DC21-12S5-0000
DC2S-5612-V302	120 VAC	0 - 10 VDC	3 Phase, 2 leg	Zero Cross	56 Amps AC @ 50°C	DIN Rail	DC22-12S5-0000
DC2S-5612-V3S1	120 VAC	0 - 10 VDC	3 Phase, 2 leg	Zero Cross	56 Amps AC @ 50°C	DIN Rail	DC21-12S5-S000
DC2S-5612-V3S2	120 VAC	0 - 10 VDC	3 Phase, 2 leg	Zero Cross	56 Amps AC @ 50°C	DIN Rail	DC22-12S5-S000
DC2S-5620-F001	208 VAC	4 - 20 mA DC	3 Phase, 2 leg	Zero Cross	56 Amps AC @ 50°C	DIN Rail	DC21-20S0-0000
DC2S-5620-F002	208 VAC	4 - 20 mA DC	3 Phase, 2 leg	Zero Cross	56 Amps AC @ 50°C	DIN Rail	DC22-20S0-0000
DC2S-5620-F0S1	208 VAC	4 - 20 mA DC	3 Phase, 2 leg	Zero Cross	56 Amps AC @ 50°C	DIN Rail	DC21-20S0-S000
DC2S-5620-F0S2	208 VAC	4 - 20 mA DC	3 Phase, 2 leg	Zero Cross	56 Amps AC @ 50°C	DIN Rail	DC22-20S0-S000
DC2S-5620-V101	208 VAC	0 - 5 VDC	3 Phase, 2 leg	Zero Cross	56 Amps AC @ 50°C	DIN Rail	DC21-20S3-0000
DC2S-5620-V102	208 VAC	0 - 5 VDC	3 Phase, 2 leg	Zero Cross	56 Amps AC @ 50°C	DIN Rail	DC22-20S3-0000
DC2S-5620-V1S1	208 VAC	0 - 5 VDC	3 Phase, 2 leg	Zero Cross	56 Amps AC @ 50°C	DIN Rail	DC21-20S3-S000
DC2S-5620-V1S2	208 VAC	0 - 5 VDC	3 Phase, 2 leg	Zero Cross	56 Amps AC @ 50°C	DIN Rail	DC22-20S3-S000
DC2S-5620-V201	208 VAC	1 - 5 VDC	3 Phase, 2 leg	Zero Cross	56 Amps AC @ 50°C	DIN Rail	DC21-20S4-0000
DC2S-5620-V202	208 VAC	1 - 5 VDC	3 Phase, 2 leg	Zero Cross	56 Amps AC @ 50°C	DIN Rail	DC22-20S4-0000
DC2S-5620-V2S1	208 VAC	1 - 5 VDC	3 Phase, 2 leg	Zero Cross	56 Amps AC @ 50°C	DIN Rail	DC21-20S4-S000
DC2S-5620-V2S2	208 VAC	1 - 5 VDC	3 Phase, 2 leg	Zero Cross	56 Amps AC @ 50°C	DIN Rail	DC22-20S4-S000
DC2S-5620-V301	208 VAC	0 - 10 VDC	3 Phase, 2 leg	Zero Cross	56 Amps AC @ 50°C	DIN Rail	DC21-20S5-0000
DC2S-5620-V302	208 VAC	0 - 10 VDC	3 Phase, 2 leg	Zero Cross	56 Amps AC @ 50°C	DIN Rail	DC22-20S5-0000
DC2S-5620-V3S1	208 VAC	0 - 10 VDC	3 Phase, 2 leg	Zero Cross	56 Amps AC @ 50°C	DIN Rail	DC21-20S5-S000
DC2S-5620-V3S2	208 VAC	0 - 10 VDC	3 Phase, 2 leg	Zero Cross	56 Amps AC @ 50°C	DIN Rail	DC22-20S5-S000
DC2S-5624-F001	240 VAC	4 - 20 mA DC	3 Phase, 2 leg	Zero Cross	56 Amps AC @ 50°C	DIN Rail	DC21-24S0-0000
DC2S-5624-F002	240 VAC	4 - 20 mA DC	3 Phase, 2 leg	Zero Cross	56 Amps AC @ 50°C	DIN Rail	DC22-24S0-0000
DC2S-5624-F0S1	240 VAC	4 - 20 mA DC	3 Phase, 2 leg	Zero Cross	56 Amps AC @ 50°C	DIN Rail	DC21-24S0-S000
DC2S-5624-F0S2	240 VAC	4 - 20 mA DC	3 Phase, 2 leg	Zero Cross	56 Amps AC @ 50°C	DIN Rail	DC22-24S0-S000
DC2S-5624-V101	240 VAC	0 - 5 VDC	3 Phase, 2 leg	Zero Cross	56 Amps AC @ 50°C	DIN Rail	DC21-24S3-0000
DC2S-5624-V102	240 VAC	0 - 5 VDC	3 Phase, 2 leg	Zero Cross	56 Amps AC @ 50°C	DIN Rail	DC22-24S3-0000
DC2S-5624-V1S1	240 VAC	0 - 5 VDC	3 Phase, 2 leg	Zero Cross	56 Amps AC @ 50°C	DIN Rail	DC21-24S3-S000

DIN-a-mite

DC2S-5624-V1S2	240 VAC	0 - 5 VDC	3 Phase, 2 leg	Zero Cross	56 Amps AC @ 50°C	DIN Rail	DC22-24S3-S000
DC2S-5624-V201	240 VAC	1 - 5 VDC	3 Phase, 2 leg	Zero Cross	56 Amps AC @ 50°C	DIN Rail	DC21-24S4-0000
DC2S-5624-V202	240 VAC	1 - 5 VDC	3 Phase, 2 leg	Zero Cross	56 Amps AC @ 50°C	DIN Rail	DC22-24S4-0000
DC2S-5624-V2S1	240 VAC	1 - 5 VDC	3 Phase, 2 leg	Zero Cross	56 Amps AC @ 50°C	DIN Rail	DC21-24S4-S000
DC2S-5624-V2S2	240 VAC	1 - 5 VDC	3 Phase, 2 leg	Zero Cross	56 Amps AC @ 50°C	DIN Rail	DC22-24S4-S000
DC2S-5624-V301	240 VAC	0 - 10 VDC	3 Phase, 2 leg	Zero Cross	56 Amps AC @ 50°C	DIN Rail	DC21-24S5-0000
DC2S-5624-V302	240 VAC	0 - 10 VDC	3 Phase, 2 leg	Zero Cross	56 Amps AC @ 50°C	DIN Rail	DC22-24S5-0000
DC2S-5624-V3S1	240 VAC	0 - 10 VDC	3 Phase, 2 leg	Zero Cross	56 Amps AC @ 50°C	DIN Rail	DC21-24S5-S000
DC2S-5624-V3S2	240 VAC	0 - 10 VDC	3 Phase, 2 leg	Zero Cross	56 Amps AC @ 50°C	DIN Rail	DC22-24S5-S000
DC2S-5627-F001	277 VAC	4 - 20 mA DC	3 Phase, 2 leg	Zero Cross	56 Amps AC @ 50°C	DIN Rail	DC21-27S0-0000
DC2S-5627-F002	277 VAC	4 - 20 mA DC	3 Phase, 2 leg	Zero Cross	56 Amps AC @ 50°C	DIN Rail	DC22-27S0-0000
DC2S-5627-F0S1	277 VAC	4 - 20 mA DC	3 Phase, 2 leg	Zero Cross	56 Amps AC @ 50°C	DIN Rail	DC21-27S0-S000
DC2S-5627-F0S2	277 VAC	4 - 20 mA DC	3 Phase, 2 leg	Zero Cross	56 Amps AC @ 50°C	DIN Rail	DC22-27S0-S000
DC2S-5627-V101	277 VAC	0 - 5 VDC	3 Phase, 2 leg	Zero Cross	56 Amps AC @ 50°C	DIN Rail	DC21-27S3-0000
DC2S-5627-V102	277 VAC	0 - 5 VDC	3 Phase, 2 leg	Zero Cross	56 Amps AC @ 50°C	DIN Rail	DC22-27S3-0000
DC2S-5627-V1S1	277 VAC	0 - 5 VDC	3 Phase, 2 leg	Zero Cross	56 Amps AC @ 50°C	DIN Rail	DC21-27S3-S000
DC2S-5627-V1S2	277 VAC	0 - 5 VDC	3 Phase, 2 leg	Zero Cross	56 Amps AC @ 50°C	DIN Rail	DC22-27S3-S000
DC2S-5627-V201	277 VAC	1 - 5 VDC	3 Phase, 2 leg	Zero Cross	56 Amps AC @ 50°C	DIN Rail	DC21-27S4-0000
DC2S-5627-V202	277 VAC	1 - 5 VDC	3 Phase, 2 leg	Zero Cross	56 Amps AC @ 50°C	DIN Rail	DC22-27S4-0000
DC2S-5627-V2S1	277 VAC	1 - 5 VDC	3 Phase, 2 leg	Zero Cross	56 Amps AC @ 50°C	DIN Rail	DC21-27S4-S000
DC2S-5627-V2S2	277 VAC	1 - 5 VDC	3 Phase, 2 leg	Zero Cross	56 Amps AC @ 50°C	DIN Rail	DC22-27S4-S000
DC2S-5627-V301	277 VAC	0 - 10 VDC	3 Phase, 2 leg	Zero Cross	56 Amps AC @ 50°C	DIN Rail	DC21-27S5-0000
DC2S-5627-V302	277 VAC	0 - 10 VDC	3 Phase, 2 leg	Zero Cross	56 Amps AC @ 50°C	DIN Rail	DC22-27S5-0000
DC2S-5627-V3S1	277 VAC	0 - 10 VDC	3 Phase, 2 leg	Zero Cross	56 Amps AC @ 50°C	DIN Rail	DC21-27S5-S000
DC2S-5627-V3S2	277 VAC	0 - 10 VDC	3 Phase, 2 leg	Zero Cross	56 Amps AC @ 50°C	DIN Rail	DC22-27S5-S000
DC2S-5640-F001	400 VAC	4 - 20 mA DC	3 Phase, 2 leg	Zero Cross	56 Amps AC @ 50°C	DIN Rail	DC21-40S0-0000
DC2S-5640-F002	400 VAC	4 - 20 mA DC	3 Phase, 2 leg	Zero Cross	56 Amps AC @ 50°C	DIN Rail	DC22-40S0-0000
DC2S-5640-F0S1	400 VAC	4 - 20 mA DC	3 Phase, 2 leg	Zero Cross	56 Amps AC @ 50°C	DIN Rail	DC21-40S0-S000
DC2S-5640-F0S2	400 VAC	4 - 20 mA DC	3 Phase, 2 leg	Zero Cross	56 Amps AC @ 50°C	DIN Rail	DC22-40S0-S000
DC2S-5640-V101	400 VAC	0 - 5 VDC	3 Phase, 2 leg	Zero Cross	56 Amps AC @ 50°C	DIN Rail	DC21-40S3-0000
DC2S-5640-V102	400 VAC	0 - 5 VDC	3 Phase, 2 leg	Zero Cross	56 Amps AC @ 50°C	DIN Rail	DC22-40S3-0000
DC2S-5640-V1S1	400 VAC	0 - 5 VDC	3 Phase, 2 leg	Zero Cross	56 Amps AC @ 50°C	DIN Rail	DC21-40S3-S000
DC2S-5640-V1S2	400 VAC	0 - 5 VDC	3 Phase, 2 leg	Zero Cross	56 Amps AC @ 50°C	DIN Rail	DC22-40S3-S000
DC2S-5640-V201	400 VAC	1 - 5 VDC	3 Phase, 2 leg	Zero Cross	56 Amps AC @ 50°C	DIN Rail	DC21-40S4-0000
DC2S-5640-V202	400 VAC	1 - 5 VDC	3 Phase, 2 leg	Zero Cross	56 Amps AC @ 50°C	DIN Rail	DC22-40S4-0000
DC2S-5640-V2S1	400 VAC	1 - 5 VDC	3 Phase, 2 leg	Zero Cross	56 Amps AC @ 50°C	DIN Rail	DC21-40S4-S000
DC2S-5640-V2S2	400 VAC	1 - 5 VDC	3 Phase, 2 leg	Zero Cross	56 Amps AC @ 50°C	DIN Rail	DC22-40S4-S000

DIN-a-mite

DC2S-5640-V301	400 VAC	0 - 10 VDC	3 Phase, 2 leg	Zero Cross	56 Amps AC @ 50°C	DIN Rail	DC21-40S5-0000
DC2S-5640-V302	400 VAC	0 - 10 VDC	3 Phase, 2 leg	Zero Cross	56 Amps AC @ 50°C	DIN Rail	DC22-40S5-0000
DC2S-5640-V3S1	400 VAC	0 - 10 VDC	3 Phase, 2 leg	Zero Cross	56 Amps AC @ 50°C	DIN Rail	DC21-40S5-S000
DC2S-5640-V3S2	400 VAC	0 - 10 VDC	3 Phase, 2 leg	Zero Cross	56 Amps AC @ 50°C	DIN Rail	DC22-40S5-S000
DC2S-5648-F001	480 VAC	4 - 20 mA DC	3 Phase, 2 leg	Zero Cross	56 Amps AC @ 50°C	DIN Rail	DC21-48S0-0000
DC2S-5648-F002	480 VAC	4 - 20 mA DC	3 Phase, 2 leg	Zero Cross	56 Amps AC @ 50°C	DIN Rail	DC22-48S0-0000
DC2S-5648-F0S1	480 VAC	4 - 20 mA DC	3 Phase, 2 leg	Zero Cross	56 Amps AC @ 50°C	DIN Rail	DC21-48S0-S000
DC2S-5648-F0S2	480 VAC	4 - 20 mA DC	3 Phase, 2 leg	Zero Cross	56 Amps AC @ 50°C	DIN Rail	DC22-48S0-S000
DC2S-5648-V101	480 VAC	0 - 5 VDC	3 Phase, 2 leg	Zero Cross	56 Amps AC @ 50°C	DIN Rail	DC21-48S3-0000
DC2S-5648-V102	480 VAC	0 - 5 VDC	3 Phase, 2 leg	Zero Cross	56 Amps AC @ 50°C	DIN Rail	DC22-48S3-0000
DC2S-5648-V1S1	480 VAC	0 - 5 VDC	3 Phase, 2 leg	Zero Cross	56 Amps AC @ 50°C	DIN Rail	DC21-48S3-S000
DC2S-5648-V1S2	480 VAC	0 - 5 VDC	3 Phase, 2 leg	Zero Cross	56 Amps AC @ 50°C	DIN Rail	DC22-48S3-S000
DC2S-5648-V201	480 VAC	1 - 5 VDC	3 Phase, 2 leg	Zero Cross	56 Amps AC @ 50°C	DIN Rail	DC21-48S4-0000
DC2S-5648-V202	480 VAC	1 - 5 VDC	3 Phase, 2 leg	Zero Cross	56 Amps AC @ 50°C	DIN Rail	DC22-48S4-0000
DC2S-5648-V2S1	480 VAC	1 - 5 VDC	3 Phase, 2 leg	Zero Cross	56 Amps AC @ 50°C	DIN Rail	DC21-48S4-S000
DC2S-5648-V2S2	480 VAC	1 - 5 VDC	3 Phase, 2 leg	Zero Cross	56 Amps AC @ 50°C	DIN Rail	DC22-48S4-S000
DC2S-5648-V301	480 VAC	0 - 10 VDC	3 Phase, 2 leg	Zero Cross	56 Amps AC @ 50°C	DIN Rail	DC21-48S5-0000
DC2S-5648-V302	480 VAC	0 - 10 VDC	3 Phase, 2 leg	Zero Cross	56 Amps AC @ 50°C	DIN Rail	DC22-48S5-0000
DC2S-5648-V3S1	480 VAC	0 - 10 VDC	3 Phase, 2 leg	Zero Cross	56 Amps AC @ 50°C	DIN Rail	DC21-48S5-S000
DC2S-5648-V3S2	480 VAC	0 - 10 VDC	3 Phase, 2 leg	Zero Cross	56 Amps AC @ 50°C	DIN Rail	DC22-48S5-S000
DC2S-5660-F001	600 VAC	4 - 20 mA DC	3 Phase, 2 leg	Zero Cross	56 Amps AC @ 50°C	DIN Rail	DC21-60S0-0000
DC2S-5660-F101	600 VAC	4 - 20 mA DC	3 Phase, 2 leg	Zero Cross	56 Amps AC @ 50°C	DIN Rail	DC21-60S1-0000
DC2V-4024-F000	120 to 240 VAC	4 - 20 mA DC	3 Phase, 2 leg	Zero Cross	40 Amps AC @ 50°C	DIN Rail	DC20-24F0-0000
DC2V-4024-F0S0	120 to 240 VAC	4 - 20 mA DC	3 Phase, 2 leg	Zero Cross	40 Amps AC @ 50°C	DIN Rail	DC20-24F0-S000
DC2V-4060-F000	277 to 600 VAC	4 - 20 mA DC	3 Phase, 2 leg	Zero Cross	40 Amps AC @ 50°C	DIN Rail	DC20-60F0-0000
DC2V-4060-F0S0	277 to 600 VAC	4 - 20 mA DC	3 Phase, 2 leg	Zero Cross	40 Amps AC @ 50°C	DIN Rail	DC20-60F0-S000
DC2V-4524-F00T	120 to 240 VAC	4 - 20 mA DC	3 Phase, 2 leg	Zero Cross	45 Amps AC @ 50°C	DIN Rail	DC2T-24F0-0000
DC2V-4524-F0ST	120 to 240 VAC	4 - 20 mA DC	3 Phase, 2 leg	Zero Cross	45 Amps AC @ 50°C	DIN Rail	DC2T-24F0-S000
DC2V-4560-F00T	277 to 600 VAC	4 - 20 mA DC	3 Phase, 2 leg	Zero Cross	45 Amps AC @ 50°C	DIN Rail	DC2T-60F0-0000
DC2V-4560-F0ST	277 to 600 VAC	4 - 20 mA DC	3 Phase, 2 leg	Zero Cross	45 Amps AC @ 50°C	DIN Rail	DC2T-60F0-S000
DC2V-5624-F001	277 to 600 VAC	4 - 20 mA DC	3 Phase, 2 leg	Zero Cross	56 Amps AC @ 50°C	DIN Rail	DC21-24F0-0000
DC2V-5624-F002	277 to 600 VAC	4 - 20 mA DC	3 Phase, 2 leg	Zero Cross	56 Amps AC @ 50°C	DIN Rail	DC22-24F0-0000
DC2V-5624-F0S1	120 to 240 VAC	4 - 20 mA DC	3 Phase, 2 leg	Zero Cross	56 Amps AC @ 50°C	DIN Rail	DC21-24F0-S000
DC2V-5624-F0S2	277 to 600 VAC	4 - 20 mA DC	3 Phase, 2 leg	Zero Cross	56 Amps AC @ 50°C	DIN Rail	DC22-24F0-S000
DC2V-5660-F001	277 to 600 VAC	4 - 20 mA DC	3 Phase, 2 leg	Zero Cross	56 Amps AC @ 50°C	DIN Rail	DC21-60F0-0000
DC2V-5660-F002	277 to 600 VAC	4 - 20 mA DC	3 Phase, 2 leg	Zero Cross	56 Amps AC @ 50°C	DIN Rail	DC22-60F0-0000
DC2V-5660-F0S1	277 to 600 VAC	4 - 20 mA DC	3 Phase, 2 leg	Zero Cross	56 Amps AC @ 50°C	DIN Rail	DC21-60F0-S000

DIN-a-mite

DC2V-5660-F0S2	277 to 600 VAC	4 - 20 mA DC	3 Phase, 2 leg	Zero Cross	56 Amps AC @ 50°C	DIN Rail	DC22-60F0-S000
DC3C-3024-C000	120 to 240 VAC	4.5 to 32 VDC	3 Phase, 2 leg	Zero Cross	30 Amps AC @ 50°C	DIN Rail	DC30-24C0-0000
DC3C-3024-C0S0	120 to 240 VAC	4.5 to 32 VDC	3 Phase, 3 leg	Zero Cross	30 Amps AC @ 50°C	DIN Rail	DC30-24C0-S000
DC3C-3024-C300	120 to 240 VAC	4.5 to 32 VDC	3 Phase, 3 leg	Zero Cross	30 Amps AC @ 50°C	DIN Rail	DC90-24C0-0000
DC3C-3024-K100	120 to 240 VAC	24 VAC	3 Phase, 3 leg	Zero Cross	30 Amps AC @ 50°C	DIN Rail	DC30-24K1-0000
DC3C-3024-K1S0	120 to 240 VAC	24 VAC	3 Phase, 3 leg	Zero Cross	30 Amps AC @ 50°C	DIN Rail	DC30-24K1-S000
DC3C-3024-K200	120 to 240 VAC	120 VAC	3 Phase, 3 leg	Zero Cross	30 Amps AC @ 50°C	DIN Rail	DC30-24K2-0000
DC3C-3024-K2S0	120 to 240 VAC	120 VAC	3 Phase, 3 leg	Zero Cross	30 Amps AC @ 50°C	DIN Rail	DC30-24K2-S000
DC3C-3024-K300	120 to 240 VAC	240 VAC	3 Phase, 3 leg	Zero Cross	30 Amps AC @ 50°C	DIN Rail	DC30-24K3-0000
DC3C-3024-K3S0	120 to 240 VAC	240 VAC	3 Phase, 3 leg	Zero Cross	30 Amps AC @ 50°C	DIN Rail	DC30-24K3-S000
DC3C-3060-C000	277 to 600 VAC	4.5 to 32 VDC	3 Phase, 2 leg	Zero Cross	30 Amps AC @ 50°C	DIN Rail	DC30-60C0-0000
DC3C-3060-C0S0	277 to 600 VAC	4.5 to 32 VDC	3 Phase, 3 leg	Zero Cross	30 Amps AC @ 50°C	DIN Rail	DC30-60C0-S000
DC3C-3060-C300	277 to 600 VAC	4.5 to 32 VDC	3 Phase, 3 leg	Zero Cross	30 Amps AC @ 50°C	DIN Rail	DC90-60C0-0000
DC3C-3060-K100	277 to 600 VAC	24 VAC	3 Phase, 3 leg	Zero Cross	30 Amps AC @ 50°C	DIN Rail	DC30-60K1-0000
DC3C-3060-K1S0	277 to 600 VAC	24 VAC	3 Phase, 3 leg	Zero Cross	30 Amps AC @ 50°C	DIN Rail	DC30-60K1-S000
DC3C-3060-K200	277 to 600 VAC	120 VAC	3 Phase, 3 leg	Zero Cross	30 Amps AC @ 50°C	DIN Rail	DC30-60K2-0000
DC3C-3060-K2S0	277 to 600 VAC	120 VAC	3 Phase, 3 leg	Zero Cross	30 Amps AC @ 50°C	DIN Rail	DC30-60K2-S000
DC3C-3060-K300	277 to 600 VAC	240 VAC	3 Phase, 3 leg	Zero Cross	30 Amps AC @ 50°C	DIN Rail	DC30-60K3-0000
DC3C-3060-K3S0	277 to 600 VAC	240 VAC	3 Phase, 3 leg	Zero Cross	30 Amps AC @ 50°C	DIN Rail	DC30-60K3-S000
DC3C-3524-C00T	120 to 240 VAC	4.5 to 32 VDC	3 Phase, 2 leg	Zero Cross	35 Amps AC @ 50°C	DIN Rail	DC3T-24C0-0000
DC3C-3524-C0ST	120 to 240 VAC	4.5 to 32 VDC	3 Phase, 3 leg	Zero Cross	35 Amps AC @ 50°C	DIN Rail	DC3T-24C0-S000
DC3C-3524-C30T	120 to 240 VAC	4.5 to 32 VDC	3 Phase, 3 leg	Zero Cross	35 Amps AC @ 50°C	DIN Rail	DC9T-24C0-0000
DC3C-3524-K10T	120 to 240 VAC	24 VAC	3 Phase, 3 leg	Zero Cross	35 Amps AC @ 50°C	DIN Rail	DC3T-24K1-0000
DC3C-3524-K1ST	120 to 240 VAC	24 VAC	3 Phase, 3 leg	Zero Cross	35 Amps AC @ 50°C	DIN Rail	DC3T-24K1-S000
DC3C-3524-K20T	120 to 240 VAC	120 VAC	3 Phase, 3 leg	Zero Cross	35 Amps AC @ 50°C	DIN Rail	DC3T-24K2-0000
DC3C-3524-K2ST	120 to 240 VAC	120 VAC	3 Phase, 3 leg	Zero Cross	35 Amps AC @ 50°C	DIN Rail	DC3T-24K2-S000
DC3C-3524-K30T	120 to 240 VAC	240 VAC	3 Phase, 3 leg	Zero Cross	35 Amps AC @ 50°C	DIN Rail	DC3T-24K3-0000
DC3C-3524-K3ST	120 to 240 VAC	240 VAC	3 Phase, 3 leg	Zero Cross	35 Amps AC @ 50°C	DIN Rail	DC3T-24K3-S000
DC3C-3560-C00T	277 to 600 VAC	4.5 to 32 VDC	3 Phase, 2 leg	Zero Cross	35 Amps AC @ 50°C	DIN Rail	DC3T-60C0-0000
DC3C-3560-C0ST	277 to 600 VAC	4.5 to 32 VDC	3 Phase, 3 leg	Zero Cross	35 Amps AC @ 50°C	DIN Rail	DC3T-60C0-S000
DC3C-3560-C30T	277 to 600 VAC	4.5 to 32 VDC	3 Phase, 3 leg	Zero Cross	35 Amps AC @ 50°C	DIN Rail	DC9T-60C0-0000
DC3C-3560-K10T	277 to 600 VAC	24 VAC	3 Phase, 3 leg	Zero Cross	35 Amps AC @ 50°C	DIN Rail	DC3T-60K1-0000
DC3C-3560-K1ST	277 to 600 VAC	24 VAC	3 Phase, 3 leg	Zero Cross	35 Amps AC @ 50°C	DIN Rail	DC3T-60K1-S000
DC3C-3560-K20T	277 to 600 VAC	120 VAC	3 Phase, 3 leg	Zero Cross	35 Amps AC @ 50°C	DIN Rail	DC3T-60K2-0000
DC3C-3560-K2ST	277 to 600 VAC	120 VAC	3 Phase, 3 leg	Zero Cross	35 Amps AC @ 50°C	DIN Rail	DC3T-60K2-S000
DC3C-3560-K30T	277 to 600 VAC	240 VAC	3 Phase, 3 leg	Zero Cross	35 Amps AC @ 50°C	DIN Rail	DC3T-60K3-0000
DC3C-3560-K3ST	277 to 600 VAC	240 VAC	3 Phase, 3 leg	Zero Cross	35 Amps AC @ 50°C	DIN Rail	DC3T-60K3-S000

DIN-a-mite

DC3C-5024-C001	120 to 240 VAC	4.5 to 32 VDC	3 Phase, 2 leg	Zero Cross	50 Amps AC @ 50°C	DIN Rail	DC31-24C0-0000
DC3C-5024-C002	120 to 240 VAC	4.5 to 32 VDC	3 Phase, 2 leg	Zero Cross	50 Amps AC @ 50°C	DIN Rail	DC32-24C0-0000
DC3C-5024-C0S1	120 to 240 VAC	4.5 to 32 VDC	3 Phase, 3 leg	Zero Cross	50 Amps AC @ 50°C	DIN Rail	DC31-24C0-S000
DC3C-5024-C0S2	120 to 240 VAC	4.5 to 32 VDC	3 Phase, 3 leg	Zero Cross	50 Amps AC @ 50°C	DIN Rail	DC32-24C0-S000
DC3C-5024-C301	120 to 240 VAC	4.5 to 32 VDC	3 Phase, 3 leg	Zero Cross	50 Amps AC @ 50°C	DIN Rail	DC91-24C0-0000
DC3C-5024-C302	120 to 240 VAC	4.5 to 32 VDC	3 Phase, 3 leg	Zero Cross	50 Amps AC @ 50°C	DIN Rail	DC92-24C0-0000
DC3C-5024-K101	120 to 240 VAC	24 VAC	3 Phase, 3 leg	Zero Cross	50 Amps AC @ 50°C	DIN Rail	DC31-24K1-0000
DC3C-5024-K102	120 to 240 VAC	24 VAC	3 Phase, 3 leg	Zero Cross	50 Amps AC @ 50°C	DIN Rail	DC32-24K1-0000
DC3C-5024-K1S1	120 to 240 VAC	24 VAC	3 Phase, 3 leg	Zero Cross	50 Amps AC @ 50°C	DIN Rail	DC31-24K1-S000
DC3C-5024-K1S2	120 to 240 VAC	24 VAC	3 Phase, 3 leg	Zero Cross	50 Amps AC @ 50°C	DIN Rail	DC32-24K1-S000
DC3C-5024-K201	120 to 240 VAC	120 VAC	3 Phase, 3 leg	Zero Cross	50 Amps AC @ 50°C	DIN Rail	DC31-24K2-0000
DC3C-5024-K202	120 to 240 VAC	120 VAC	3 Phase, 3 leg	Zero Cross	50 Amps AC @ 50°C	DIN Rail	DC32-24K2-0000
DC3C-5024-K2S1	120 to 240 VAC	120 VAC	3 Phase, 3 leg	Zero Cross	50 Amps AC @ 50°C	DIN Rail	DC31-24K2-S000
DC3C-5024-K2S2	120 to 240 VAC	120 VAC	3 Phase, 3 leg	Zero Cross	50 Amps AC @ 50°C	DIN Rail	DC32-24K2-S000
DC3C-5024-K301	120 to 240 VAC	240 VAC	3 Phase, 3 leg	Zero Cross	50 Amps AC @ 50°C	DIN Rail	DC31-24K3-0000
DC3C-5024-K302	120 to 240 VAC	240 VAC	3 Phase, 3 leg	Zero Cross	50 Amps AC @ 50°C	DIN Rail	DC32-24K3-0000
DC3C-5024-K3S1	120 to 240 VAC	240 VAC	3 Phase, 3 leg	Zero Cross	50 Amps AC @ 50°C	DIN Rail	DC31-24K3-S000
DC3C-5024-K3S2	120 to 240 VAC	240 VAC	3 Phase, 3 leg	Zero Cross	50 Amps AC @ 50°C	DIN Rail	DC32-24K3-S000
DC3C-5060-C001	277 to 600 VAC	4.5 to 32 VDC	3 Phase, 2 leg	Zero Cross	50 Amps AC @ 50°C	DIN Rail	DC31-60C0-0000
DC3C-5060-C002	277 to 600 VAC	4.5 to 32 VDC	3 Phase, 2 leg	Zero Cross	50 Amps AC @ 50°C	DIN Rail	DC32-60C0-0000
DC3C-5060-C0S1	277 to 600 VAC	4.5 to 32 VDC	3 Phase, 3 leg	Zero Cross	50 Amps AC @ 50°C	DIN Rail	DC31-60C0-S000
DC3C-5060-C0S2	277 to 600 VAC	4.5 to 32 VDC	3 Phase, 3 leg	Zero Cross	50 Amps AC @ 50°C	DIN Rail	DC32-60C0-S000
DC3C-5060-C301	277 to 600 VAC	4.5 to 32 VDC	3 Phase, 3 leg	Zero Cross	50 Amps AC @ 50°C	DIN Rail	DC91-60C0-0000
DC3C-5060-C302	277 to 600 VAC	4.5 to 32 VDC	3 Phase, 3 leg	Zero Cross	50 Amps AC @ 50°C	DIN Rail	DC92-60C0-0000
DC3C-5060-K101	277 to 600 VAC	24 VAC	3 Phase, 3 leg	Zero Cross	50 Amps AC @ 50°C	DIN Rail	DC31-60K1-0000
DC3C-5060-K102	277 to 600 VAC	24 VAC	3 Phase, 3 leg	Zero Cross	50 Amps AC @ 50°C	DIN Rail	DC32-60K1-0000
DC3C-5060-K1S1	277 to 600 VAC	24 VAC	3 Phase, 3 leg	Zero Cross	50 Amps AC @ 50°C	DIN Rail	DC31-60K1-S000
DC3C-5060-K1S2	277 to 600 VAC	24 VAC	3 Phase, 3 leg	Zero Cross	50 Amps AC @ 50°C	DIN Rail	DC32-60K1-S000
DC3C-5060-K201	277 to 600 VAC	120 VAC	3 Phase, 3 leg	Zero Cross	50 Amps AC @ 50°C	DIN Rail	DC31-60K2-0000
DC3C-5060-K202	277 to 600 VAC	120 VAC	3 Phase, 3 leg	Zero Cross	50 Amps AC @ 50°C	DIN Rail	DC32-60K2-0000
DC3C-5060-K2S1	277 to 600 VAC	120 VAC	3 Phase, 3 leg	Zero Cross	50 Amps AC @ 50°C	DIN Rail	DC31-60K2-S000
DC3C-5060-K2S2	277 to 600 VAC	120 VAC	3 Phase, 3 leg	Zero Cross	50 Amps AC @ 50°C	DIN Rail	DC32-60K2-S000
DC3C-5060-K301	277 to 600 VAC	240 VAC	3 Phase, 3 leg	Zero Cross	50 Amps AC @ 50°C	DIN Rail	DC31-60K3-0000
DC3C-5060-K302	277 to 600 VAC	240 VAC	3 Phase, 3 leg	Zero Cross	50 Amps AC @ 50°C	DIN Rail	DC32-60K3-0000
DC3C-5060-K3S1	277 to 600 VAC	240 VAC	3 Phase, 3 leg	Zero Cross	50 Amps AC @ 50°C	DIN Rail	DC31-60K3-S000
DC3C-5060-K3S2	277 to 600 VAC	240 VAC	3 Phase, 3 leg	Zero Cross	50 Amps AC @ 50°C	DIN Rail	DC32-60K3-S000
DC3S-3012-F000	120 VAC	4 - 20 mA DC	3 Phase, 2 leg	Zero Cross	30 Amps AC @ 50°C	DIN Rail	DC30-12S0-0000

DIN-a-mite

DC3S-3012-F0S0	120 VAC	4 - 20 mA DC	3 Phase, 2 leg	Zero Cross	30 Amps AC @ 50°C	DIN Rail	DC30-12S0-S000
DC3S-3012-V100	120 VAC	0 - 5 VDC	3 Phase, 2 leg	Zero Cross	30 Amps AC @ 50°C	DIN Rail	DC30-12S3-0000
DC3S-3012-V1S0	120 VAC	0 - 5 VDC	3 Phase, 2 leg	Zero Cross	30 Amps AC @ 50°C	DIN Rail	DC30-12S3-S000
DC3S-3012-V200	120 VAC	1 - 5 VDC	3 Phase, 2 leg	Zero Cross	30 Amps AC @ 50°C	DIN Rail	DC30-12S4-0000
DC3S-3012-V2S0	120 VAC	1 - 5 VDC	3 Phase, 2 leg	Zero Cross	30 Amps AC @ 50°C	DIN Rail	DC30-12S4-S000
DC3S-3012-V300	120 VAC	0 - 10 VDC	3 Phase, 2 leg	Zero Cross	30 Amps AC @ 50°C	DIN Rail	DC30-12S5-0000
DC3S-3012-V3S0	120 VAC	0 - 10 VDC	3 Phase, 2 leg	Zero Cross	30 Amps AC @ 50°C	DIN Rail	DC30-12S5-S000
DC3S-3020-F000	208 VAC	4 - 20 mA DC	3 Phase, 2 leg	Zero Cross	30 Amps AC @ 50°C	DIN Rail	DC30-20S0-0000
DC3S-3020-F0S0	208 VAC	4 - 20 mA DC	3 Phase, 2 leg	Zero Cross	30 Amps AC @ 50°C	DIN Rail	DC30-20S0-S000
DC3S-3020-V100	208 VAC	0 - 5 VDC	3 Phase, 2 leg	Zero Cross	30 Amps AC @ 50°C	DIN Rail	DC30-20S3-0000
DC3S-3020-V1S0	208 VAC	0 - 5 VDC	3 Phase, 2 leg	Zero Cross	30 Amps AC @ 50°C	DIN Rail	DC30-20S3-S000
DC3S-3020-V200	208 VAC	1 - 5 VDC	3 Phase, 2 leg	Zero Cross	30 Amps AC @ 50°C	DIN Rail	DC30-20S4-0000
DC3S-3020-V2S0	208 VAC	1 - 5 VDC	3 Phase, 2 leg	Zero Cross	30 Amps AC @ 50°C	DIN Rail	DC30-20S4-S000
DC3S-3020-V300	208 VAC	0 - 10 VDC	3 Phase, 2 leg	Zero Cross	30 Amps AC @ 50°C	DIN Rail	DC30-20S5-0000
DC3S-3020-V3S0	208 VAC	0 - 10 VDC	3 Phase, 2 leg	Zero Cross	30 Amps AC @ 50°C	DIN Rail	DC30-20S5-S000
DC3S-3024-F000	240 VAC	4 - 20 mA DC	3 Phase, 2 leg	Zero Cross	30 Amps AC @ 50°C	DIN Rail	DC30-24S0-0000
DC3S-3024-F0S0	240 VAC	4 - 20 mA DC	3 Phase, 2 leg	Zero Cross	30 Amps AC @ 50°C	DIN Rail	DC30-24S0-S000
DC3S-3024-V100	240 VAC	0 - 5 VDC	3 Phase, 2 leg	Zero Cross	30 Amps AC @ 50°C	DIN Rail	DC30-24S3-0000
DC3S-3024-V1S0	240 VAC	0 - 5 VDC	3 Phase, 2 leg	Zero Cross	30 Amps AC @ 50°C	DIN Rail	DC30-24S3-S000
DC3S-3024-V200	240 VAC	1 - 5 VDC	3 Phase, 2 leg	Zero Cross	30 Amps AC @ 50°C	DIN Rail	DC30-24S4-0000
DC3S-3024-V2S0	240 VAC	1 - 5 VDC	3 Phase, 2 leg	Zero Cross	30 Amps AC @ 50°C	DIN Rail	DC30-24S4-S000
DC3S-3024-V300	240 VAC	0 - 10 VDC	3 Phase, 2 leg	Zero Cross	30 Amps AC @ 50°C	DIN Rail	DC30-24S5-0000
DC3S-3024-V3S0	240 VAC	0 - 10 VDC	3 Phase, 2 leg	Zero Cross	30 Amps AC @ 50°C	DIN Rail	DC30-24S5-S000
DC3S-3027-F000	277 VAC	4 - 20 mA DC	3 Phase, 2 leg	Zero Cross	30 Amps AC @ 50°C	DIN Rail	DC30-27S0-0000
DC3S-3027-F0S0	277 VAC	4 - 20 mA DC	3 Phase, 2 leg	Zero Cross	30 Amps AC @ 50°C	DIN Rail	DC30-27S0-S000
DC3S-3027-V100	277 VAC	0 - 5 VDC	3 Phase, 2 leg	Zero Cross	30 Amps AC @ 50°C	DIN Rail	DC30-27S3-0000
DC3S-3027-V1S0	277 VAC	0 - 5 VDC	3 Phase, 2 leg	Zero Cross	30 Amps AC @ 50°C	DIN Rail	DC30-27S3-S000
DC3S-3027-V200	277 VAC	1 - 5 VDC	3 Phase, 2 leg	Zero Cross	30 Amps AC @ 50°C	DIN Rail	DC30-27S4-0000
DC3S-3027-V2S0	277 VAC	1 - 5 VDC	3 Phase, 2 leg	Zero Cross	30 Amps AC @ 50°C	DIN Rail	DC30-27S4-S000
DC3S-3027-V300	277 VAC	0 - 10 VDC	3 Phase, 2 leg	Zero Cross	30 Amps AC @ 50°C	DIN Rail	DC30-27S5-0000
DC3S-3027-V3S0	277 VAC	0 - 10 VDC	3 Phase, 2 leg	Zero Cross	30 Amps AC @ 50°C	DIN Rail	DC30-27S5-S000
DC3S-3040-F000	400 VAC	4 - 20 mA DC	3 Phase, 2 leg	Zero Cross	30 Amps AC @ 50°C	DIN Rail	DC30-40S0-0000
DC3S-3040-F0S0	400 VAC	4 - 20 mA DC	3 Phase, 2 leg	Zero Cross	30 Amps AC @ 50°C	DIN Rail	DC30-40S0-S000
DC3S-3040-V100	400 VAC	0 - 5 VDC	3 Phase, 2 leg	Zero Cross	30 Amps AC @ 50°C	DIN Rail	DC30-40S3-0000
DC3S-3040-V1S0	400 VAC	0 - 5 VDC	3 Phase, 2 leg	Zero Cross	30 Amps AC @ 50°C	DIN Rail	DC30-40S3-S000
DC3S-3040-V200	400 VAC	1 - 5 VDC	3 Phase, 2 leg	Zero Cross	30 Amps AC @ 50°C	DIN Rail	DC30-40S4-0000
DC3S-3040-V2S0	400 VAC	1 - 5 VDC	3 Phase, 2 leg	Zero Cross	30 Amps AC @ 50°C	DIN Rail	DC30-40S4-S000

DIN-a-mite

DC3S-3040-V300	400 VAC	0 - 10 VDC	3 Phase, 2 leg	Zero Cross	30 Amps AC @ 50°C	DIN Rail	DC30-40S5-0000
DC3S-3040-V3S0	400 VAC	0 - 10 VDC	3 Phase, 2 leg	Zero Cross	30 Amps AC @ 50°C	DIN Rail	DC30-40S5-S000
DC3S-3048-F000	480 VAC	4 - 20 mA DC	3 Phase, 2 leg	Zero Cross	30 Amps AC @ 50°C	DIN Rail	DC30-48S0-0000
DC3S-3048-F0S0	480 VAC	4 - 20 mA DC	3 Phase, 2 leg	Zero Cross	30 Amps AC @ 50°C	DIN Rail	DC30-48S0-S000
DC3S-3048-V100	480 VAC	0 - 5 VDC	3 Phase, 2 leg	Zero Cross	30 Amps AC @ 50°C	DIN Rail	DC30-48S3-0000
DC3S-3048-V1S0	480 VAC	0 - 5 VDC	3 Phase, 2 leg	Zero Cross	30 Amps AC @ 50°C	DIN Rail	DC30-48S3-S000
DC3S-3048-V200	480 VAC	1 - 5 VDC	3 Phase, 2 leg	Zero Cross	30 Amps AC @ 50°C	DIN Rail	DC30-48S4-0000
DC3S-3048-V2S0	480 VAC	1 - 5 VDC	3 Phase, 2 leg	Zero Cross	30 Amps AC @ 50°C	DIN Rail	DC30-48S4-S000
DC3S-3048-V300	480 VAC	0 - 10 VDC	3 Phase, 2 leg	Zero Cross	30 Amps AC @ 50°C	DIN Rail	DC30-48S5-0000
DC3S-3048-V3S0	480 VAC	0 - 10 VDC	3 Phase, 2 leg	Zero Cross	30 Amps AC @ 50°C	DIN Rail	DC30-48S5-S000
DC3S-3512-F00T	120 VAC	4 - 20 mA DC	3 Phase, 2 leg	Zero Cross	35 Amps AC @ 50°C	DIN Rail	DC3T-12S0-0000
DC3S-3512-F0ST	120 VAC	4 - 20 mA DC	3 Phase, 2 leg	Zero Cross	35 Amps AC @ 50°C	DIN Rail	DC3T-12S0-S000
DC3S-3512-V10T	120 VAC	0 - 5 VDC	3 Phase, 2 leg	Zero Cross	35 Amps AC @ 50°C	DIN Rail	DC3T-12S3-0000
DC3S-3512-V1ST	120 VAC	0 - 5 VDC	3 Phase, 2 leg	Zero Cross	35 Amps AC @ 50°C	DIN Rail	DC3T-12S3-S000
DC3S-3512-V20T	120 VAC	1 - 5 VDC	3 Phase, 2 leg	Zero Cross	35 Amps AC @ 50°C	DIN Rail	DC3T-12S4-0000
DC3S-3512-V2ST	120 VAC	1 - 5 VDC	3 Phase, 2 leg	Zero Cross	35 Amps AC @ 50°C	DIN Rail	DC3T-12S4-S000
DC3S-3512-V30T	120 VAC	0 - 10 VDC	3 Phase, 2 leg	Zero Cross	35 Amps AC @ 50°C	DIN Rail	DC3T-12S5-0000
DC3S-3512-V3ST	120 VAC	0 - 10 VDC	3 Phase, 2 leg	Zero Cross	35 Amps AC @ 50°C	DIN Rail	DC3T-12S5-S000
DC3S-3520-F00T	208 VAC	4 - 20 mA DC	3 Phase, 2 leg	Zero Cross	35 Amps AC @ 50°C	DIN Rail	DC3T-20S0-0000
DC3S-3520-F0ST	208 VAC	4 - 20 mA DC	3 Phase, 2 leg	Zero Cross	35 Amps AC @ 50°C	DIN Rail	DC3T-20S0-S000
DC3S-3520-V10T	208 VAC	0 - 5 VDC	3 Phase, 2 leg	Zero Cross	35 Amps AC @ 50°C	DIN Rail	DC3T-20S3-0000
DC3S-3520-V1ST	208 VAC	0 - 5 VDC	3 Phase, 2 leg	Zero Cross	35 Amps AC @ 50°C	DIN Rail	DC3T-20S3-S000
DC3S-3520-V20T	208 VAC	1 - 5 VDC	3 Phase, 2 leg	Zero Cross	35 Amps AC @ 50°C	DIN Rail	DC3T-20S4-0000
DC3S-3520-V2ST	208 VAC	1 - 5 VDC	3 Phase, 2 leg	Zero Cross	35 Amps AC @ 50°C	DIN Rail	DC3T-20S4-S000
DC3S-3520-V30T	208 VAC	0 - 10 VDC	3 Phase, 2 leg	Zero Cross	35 Amps AC @ 50°C	DIN Rail	DC3T-20S5-0000
DC3S-3520-V3ST	208 VAC	0 - 10 VDC	3 Phase, 2 leg	Zero Cross	35 Amps AC @ 50°C	DIN Rail	DC3T-20S5-S000
DC3S-3524-F00T	240 VAC	4 - 20 mA DC	3 Phase, 2 leg	Zero Cross	35 Amps AC @ 50°C	DIN Rail	DC3T-24S0-0000
DC3S-3524-F0ST	240 VAC	4 - 20 mA DC	3 Phase, 2 leg	Zero Cross	35 Amps AC @ 50°C	DIN Rail	DC3T-24S0-S000
DC3S-3524-V10T	240 VAC	0 - 5 VDC	3 Phase, 2 leg	Zero Cross	35 Amps AC @ 50°C	DIN Rail	DC3T-24S3-0000
DC3S-3524-V1ST	240 VAC	0 - 5 VDC	3 Phase, 2 leg	Zero Cross	35 Amps AC @ 50°C	DIN Rail	DC3T-24S3-S000
DC3S-3524-V20T	240 VAC	1 - 5 VDC	3 Phase, 2 leg	Zero Cross	35 Amps AC @ 50°C	DIN Rail	DC3T-24S4-0000
DC3S-3524-V2ST	240 VAC	1 - 5 VDC	3 Phase, 2 leg	Zero Cross	35 Amps AC @ 50°C	DIN Rail	DC3T-24S4-S000
DC3S-3524-V30T	240 VAC	0 - 10 VDC	3 Phase, 2 leg	Zero Cross	35 Amps AC @ 50°C	DIN Rail	DC3T-24S5-0000
DC3S-3524-V3ST	240 VAC	0 - 10 VDC	3 Phase, 2 leg	Zero Cross	35 Amps AC @ 50°C	DIN Rail	DC3T-24S5-S000
DC3S-3527-F00T	277 VAC	4 - 20 mA DC	3 Phase, 2 leg	Zero Cross	35 Amps AC @ 50°C	DIN Rail	DC3T-27S0-0000
DC3S-3527-F0ST	277 VAC	4 - 20 mA DC	3 Phase, 2 leg	Zero Cross	35 Amps AC @ 50°C	DIN Rail	DC3T-27S0-S000
DC3S-3527-V10T	277 VAC	0 - 5 VDC	3 Phase, 2 leg	Zero Cross	35 Amps AC @ 50°C	DIN Rail	DC3T-27S3-0000

DIN-a-mite

DC3S-3527-V1ST	277 VAC	0 - 5 VDC	3 Phase, 2 leg	Zero Cross	35 Amps AC @ 50°C	DIN Rail	DC3T-27S3-S000
DC3S-3527-V20T	277 VAC	1 - 5 VDC	3 Phase, 2 leg	Zero Cross	35 Amps AC @ 50°C	DIN Rail	DC3T-27S4-0000
DC3S-3527-V2ST	277 VAC	1 - 5 VDC	3 Phase, 2 leg	Zero Cross	35 Amps AC @ 50°C	DIN Rail	DC3T-27S4-S000
DC3S-3527-V30T	277 VAC	0 - 10 VDC	3 Phase, 2 leg	Zero Cross	35 Amps AC @ 50°C	DIN Rail	DC3T-27S5-0000
DC3S-3527-V3ST	277 VAC	0 - 10 VDC	3 Phase, 2 leg	Zero Cross	35 Amps AC @ 50°C	DIN Rail	DC3T-27S5-S000
DC3S-3540-F00T	400 VAC	4 - 20 mA DC	3 Phase, 2 leg	Zero Cross	35 Amps AC @ 50°C	DIN Rail	DC3T-40S0-0000
DC3S-3540-F0ST	400 VAC	4 - 20 mA DC	3 Phase, 2 leg	Zero Cross	35 Amps AC @ 50°C	DIN Rail	DC3T-40S0-S000
DC3S-3540-V10T	400 VAC	0 - 5 VDC	3 Phase, 2 leg	Zero Cross	35 Amps AC @ 50°C	DIN Rail	DC3T-40S3-0000
DC3S-3540-V1ST	400 VAC	0 - 5 VDC	3 Phase, 2 leg	Zero Cross	35 Amps AC @ 50°C	DIN Rail	DC3T-40S3-S000
DC3S-3540-V20T	400 VAC	1 - 5 VDC	3 Phase, 2 leg	Zero Cross	35 Amps AC @ 50°C	DIN Rail	DC3T-40S4-0000
DC3S-3540-V2ST	400 VAC	1 - 5 VDC	3 Phase, 2 leg	Zero Cross	35 Amps AC @ 50°C	DIN Rail	DC3T-40S4-S000
DC3S-3540-V30T	400 VAC	0 - 10 VDC	3 Phase, 2 leg	Zero Cross	35 Amps AC @ 50°C	DIN Rail	DC3T-40S5-0000
DC3S-3540-V3ST	400 VAC	0 - 10 VDC	3 Phase, 2 leg	Zero Cross	35 Amps AC @ 50°C	DIN Rail	DC3T-40S5-S000
DC3S-3548-F00T	480 VAC	4 - 20 mA DC	3 Phase, 2 leg	Zero Cross	35 Amps AC @ 50°C	DIN Rail	DC3T-48S0-0000
DC3S-3548-F0ST	480 VAC	4 - 20 mA DC	3 Phase, 2 leg	Zero Cross	35 Amps AC @ 50°C	DIN Rail	DC3T-48S0-S000
DC3S-3548-V10T	480 VAC	0 - 5 VDC	3 Phase, 2 leg	Zero Cross	35 Amps AC @ 50°C	DIN Rail	DC3T-48S3-0000
DC3S-3548-V1ST	480 VAC	0 - 5 VDC	3 Phase, 2 leg	Zero Cross	35 Amps AC @ 50°C	DIN Rail	DC3T-48S3-S000
DC3S-3548-V20T	480 VAC	1 - 5 VDC	3 Phase, 2 leg	Zero Cross	35 Amps AC @ 50°C	DIN Rail	DC3T-48S4-0000
DC3S-3548-V2ST	480 VAC	1 - 5 VDC	3 Phase, 2 leg	Zero Cross	35 Amps AC @ 50°C	DIN Rail	DC3T-48S4-S000
DC3S-3548-V30T	480 VAC	0 - 10 VDC	3 Phase, 2 leg	Zero Cross	35 Amps AC @ 50°C	DIN Rail	DC3T-48S5-0000
DC3S-3548-V3ST	480 VAC	0 - 10 VDC	3 Phase, 2 leg	Zero Cross	35 Amps AC @ 50°C	DIN Rail	DC3T-48S5-S000
DC3S-5012-F001	120 VAC	4 - 20 mA DC	3 Phase, 2 leg	Zero Cross	50 Amps AC @ 50°C	DIN Rail	DC31-12S0-0000
DC3S-5012-F002	120 VAC	4 - 20 mA DC	3 Phase, 2 leg	Zero Cross	50 Amps AC @ 50°C	DIN Rail	DC32-12S0-0000
DC3S-5012-F0S1	120 VAC	4 - 20 mA DC	3 Phase, 2 leg	Zero Cross	50 Amps AC @ 50°C	DIN Rail	DC31-12S0-S000
DC3S-5012-F0S2	120 VAC	4 - 20 mA DC	3 Phase, 2 leg	Zero Cross	50 Amps AC @ 50°C	DIN Rail	DC32-12S0-S000
DC3S-5012-V101	120 VAC	0 - 5 VDC	3 Phase, 2 leg	Zero Cross	50 Amps AC @ 50°C	DIN Rail	DC31-12S3-0000
DC3S-5012-V102	120 VAC	0 - 5 VDC	3 Phase, 2 leg	Zero Cross	50 Amps AC @ 50°C	DIN Rail	DC32-12S3-0000
DC3S-5012-V1S1	120 VAC	0 - 5 VDC	3 Phase, 2 leg	Zero Cross	50 Amps AC @ 50°C	DIN Rail	DC31-12S3-S000
DC3S-5012-V1S2	120 VAC	0 - 5 VDC	3 Phase, 2 leg	Zero Cross	50 Amps AC @ 50°C	DIN Rail	DC32-12S3-S000
DC3S-5012-V201	120 VAC	1 - 5 VDC	3 Phase, 2 leg	Zero Cross	50 Amps AC @ 50°C	DIN Rail	DC31-12S4-0000
DC3S-5012-V202	120 VAC	1 - 5 VDC	3 Phase, 2 leg	Zero Cross	50 Amps AC @ 50°C	DIN Rail	DC32-12S4-0000
DC3S-5012-V2S1	120 VAC	1 - 5 VDC	3 Phase, 2 leg	Zero Cross	50 Amps AC @ 50°C	DIN Rail	DC31-12S4-S000
DC3S-5012-V2S2	120 VAC	1 - 5 VDC	3 Phase, 2 leg	Zero Cross	50 Amps AC @ 50°C	DIN Rail	DC32-12S4-S000
DC3S-5012-V301	120 VAC	0 - 10 VDC	3 Phase, 2 leg	Zero Cross	50 Amps AC @ 50°C	DIN Rail	DC31-12S5-0000
DC3S-5012-V302	120 VAC	0 - 10 VDC	3 Phase, 2 leg	Zero Cross	50 Amps AC @ 50°C	DIN Rail	DC32-12S5-0000
DC3S-5012-V3S1	120 VAC	0 - 10 VDC	3 Phase, 2 leg	Zero Cross	50 Amps AC @ 50°C	DIN Rail	DC31-12S5-S000
DC3S-5012-V3S2	120 VAC	0 - 10 VDC	3 Phase, 2 leg	Zero Cross	50 Amps AC @ 50°C	DIN Rail	DC32-12S5-S000

DIN-a-mite

DC3S-5020-F001	208 VAC	4 - 20 mA DC	3 Phase, 2 leg	Zero Cross	50 Amps AC @ 50°C	DIN Rail	DC31-20S0-0000
DC3S-5020-F002	208 VAC	4 - 20 mA DC	3 Phase, 2 leg	Zero Cross	50 Amps AC @ 50°C	DIN Rail	DC32-20S0-0000
DC3S-5020-F0S1	208 VAC	4 - 20 mA DC	3 Phase, 2 leg	Zero Cross	50 Amps AC @ 50°C	DIN Rail	DC31-20S0-S000
DC3S-5020-F0S2	208 VAC	4 - 20 mA DC	3 Phase, 2 leg	Zero Cross	50 Amps AC @ 50°C	DIN Rail	DC32-20S0-S000
DC3S-5020-V101	208 VAC	0 - 5 VDC	3 Phase, 2 leg	Zero Cross	50 Amps AC @ 50°C	DIN Rail	DC31-20S3-0000
DC3S-5020-V102	208 VAC	0 - 5 VDC	3 Phase, 2 leg	Zero Cross	50 Amps AC @ 50°C	DIN Rail	DC32-20S3-0000
DC3S-5020-V1S1	208 VAC	0 - 5 VDC	3 Phase, 2 leg	Zero Cross	50 Amps AC @ 50°C	DIN Rail	DC31-20S3-S000
DC3S-5020-V1S2	208 VAC	0 - 5 VDC	3 Phase, 2 leg	Zero Cross	50 Amps AC @ 50°C	DIN Rail	DC32-20S3-S000
DC3S-5020-V201	208 VAC	1 - 5 VDC	3 Phase, 2 leg	Zero Cross	50 Amps AC @ 50°C	DIN Rail	DC31-20S4-0000
DC3S-5020-V202	208 VAC	1 - 5 VDC	3 Phase, 2 leg	Zero Cross	50 Amps AC @ 50°C	DIN Rail	DC32-20S4-0000
DC3S-5020-V2S1	208 VAC	1 - 5 VDC	3 Phase, 2 leg	Zero Cross	50 Amps AC @ 50°C	DIN Rail	DC31-20S4-S000
DC3S-5020-V2S2	208 VAC	1 - 5 VDC	3 Phase, 2 leg	Zero Cross	50 Amps AC @ 50°C	DIN Rail	DC32-20S4-S000
DC3S-5020-V301	208 VAC	0 - 10 VDC	3 Phase, 2 leg	Zero Cross	50 Amps AC @ 50°C	DIN Rail	DC31-20S5-0000
DC3S-5020-V302	208 VAC	0 - 10 VDC	3 Phase, 2 leg	Zero Cross	50 Amps AC @ 50°C	DIN Rail	DC32-20S5-0000
DC3S-5020-V3S1	208 VAC	0 - 10 VDC	3 Phase, 2 leg	Zero Cross	50 Amps AC @ 50°C	DIN Rail	DC31-20S5-S000
DC3S-5020-V3S2	208 VAC	0 - 10 VDC	3 Phase, 2 leg	Zero Cross	50 Amps AC @ 50°C	DIN Rail	DC32-20S5-S000
DC3S-5024-F001	240 VAC	4 - 20 mA DC	3 Phase, 2 leg	Zero Cross	50 Amps AC @ 50°C	DIN Rail	DC31-24S0-0000
DC3S-5024-F002	240 VAC	4 - 20 mA DC	3 Phase, 2 leg	Zero Cross	50 Amps AC @ 50°C	DIN Rail	DC32-24S0-0000
DC3S-5024-F0S1	240 VAC	4 - 20 mA DC	3 Phase, 2 leg	Zero Cross	50 Amps AC @ 50°C	DIN Rail	DC31-24S0-S000
DC3S-5024-F0S2	240 VAC	4 - 20 mA DC	3 Phase, 2 leg	Zero Cross	50 Amps AC @ 50°C	DIN Rail	DC32-24S0-S000
DC3S-5024-V101	240 VAC	0 - 5 VDC	3 Phase, 2 leg	Zero Cross	50 Amps AC @ 50°C	DIN Rail	DC31-24S3-0000
DC3S-5024-V102	240 VAC	0 - 5 VDC	3 Phase, 2 leg	Zero Cross	50 Amps AC @ 50°C	DIN Rail	DC32-24S3-0000
DC3S-5024-V1S1	240 VAC	0 - 5 VDC	3 Phase, 2 leg	Zero Cross	50 Amps AC @ 50°C	DIN Rail	DC31-24S3-S000
DC3S-5024-V1S2	240 VAC	0 - 5 VDC	3 Phase, 2 leg	Zero Cross	50 Amps AC @ 50°C	DIN Rail	DC32-24S3-S000
DC3S-5024-V201	240 VAC	1 - 5 VDC	3 Phase, 2 leg	Zero Cross	50 Amps AC @ 50°C	DIN Rail	DC31-24S4-0000
DC3S-5024-V202	240 VAC	1 - 5 VDC	3 Phase, 2 leg	Zero Cross	50 Amps AC @ 50°C	DIN Rail	DC32-24S4-0000
DC3S-5024-V2S1	240 VAC	1 - 5 VDC	3 Phase, 2 leg	Zero Cross	50 Amps AC @ 50°C	DIN Rail	DC31-24S4-S000
DC3S-5024-V2S2	240 VAC	1 - 5 VDC	3 Phase, 2 leg	Zero Cross	50 Amps AC @ 50°C	DIN Rail	DC32-24S4-S000
DC3S-5024-V301	240 VAC	0 - 10 VDC	3 Phase, 2 leg	Zero Cross	50 Amps AC @ 50°C	DIN Rail	DC31-24S5-0000
DC3S-5024-V302	240 VAC	0 - 10 VDC	3 Phase, 2 leg	Zero Cross	50 Amps AC @ 50°C	DIN Rail	DC32-24S5-0000
DC3S-5024-V3S1	240 VAC	0 - 10 VDC	3 Phase, 2 leg	Zero Cross	50 Amps AC @ 50°C	DIN Rail	DC31-24S5-S000
DC3S-5024-V3S2	240 VAC	0 - 10 VDC	3 Phase, 2 leg	Zero Cross	50 Amps AC @ 50°C	DIN Rail	DC32-24S5-S000
DC3S-5027-F001	277 VAC	4 - 20 mA DC	3 Phase, 2 leg	Zero Cross	50 Amps AC @ 50°C	DIN Rail	DC31-27S0-0000
DC3S-5027-F002	277 VAC	4 - 20 mA DC	3 Phase, 2 leg	Zero Cross	50 Amps AC @ 50°C	DIN Rail	DC32-27S0-0000
DC3S-5027-F0S1	277 VAC	4 - 20 mA DC	3 Phase, 2 leg	Zero Cross	50 Amps AC @ 50°C	DIN Rail	DC31-27S0-S000
DC3S-5027-F0S2	277 VAC	4 - 20 mA DC	3 Phase, 2 leg	Zero Cross	50 Amps AC @ 50°C	DIN Rail	DC32-27S0-S000
DC3S-5027-V101	277 VAC	0 - 5 VDC	3 Phase, 2 leg	Zero Cross	50 Amps AC @ 50°C	DIN Rail	DC31-27S3-0000

DIN-a-mite

DC3S-5027-V102	277 VAC	0 - 5 VDC	3 Phase, 2 leg	Zero Cross	50 Amps AC @ 50°C	DIN Rail	DC32-27S3-0000
DC3S-5027-V1S1	277 VAC	0 - 5 VDC	3 Phase, 2 leg	Zero Cross	50 Amps AC @ 50°C	DIN Rail	DC31-27S3-S000
DC3S-5027-V1S2	277 VAC	0 - 5 VDC	3 Phase, 2 leg	Zero Cross	50 Amps AC @ 50°C	DIN Rail	DC32-27S3-S000
DC3S-5027-V201	277 VAC	1 - 5 VDC	3 Phase, 2 leg	Zero Cross	50 Amps AC @ 50°C	DIN Rail	DC31-27S4-0000
DC3S-5027-V202	277 VAC	1 - 5 VDC	3 Phase, 2 leg	Zero Cross	50 Amps AC @ 50°C	DIN Rail	DC32-27S4-0000
DC3S-5027-V2S1	277 VAC	1 - 5 VDC	3 Phase, 2 leg	Zero Cross	50 Amps AC @ 50°C	DIN Rail	DC31-27S4-S000
DC3S-5027-V2S2	277 VAC	1 - 5 VDC	3 Phase, 2 leg	Zero Cross	50 Amps AC @ 50°C	DIN Rail	DC32-27S4-S000
DC3S-5027-V301	277 VAC	0 - 10 VDC	3 Phase, 2 leg	Zero Cross	50 Amps AC @ 50°C	DIN Rail	DC31-27S5-0000
DC3S-5027-V302	277 VAC	0 - 10 VDC	3 Phase, 2 leg	Zero Cross	50 Amps AC @ 50°C	DIN Rail	DC32-27S5-0000
DC3S-5027-V3S1	277 VAC	0 - 10 VDC	3 Phase, 2 leg	Zero Cross	50 Amps AC @ 50°C	DIN Rail	DC31-27S5-S000
DC3S-5027-V3S2	277 VAC	0 - 10 VDC	3 Phase, 2 leg	Zero Cross	50 Amps AC @ 50°C	DIN Rail	DC32-27S5-S000
DC3S-5040-F001	400 VAC	4 - 20 mA DC	3 Phase, 2 leg	Zero Cross	50 Amps AC @ 50°C	DIN Rail	DC31-40S0-0000
DC3S-5040-F002	400 VAC	4 - 20 mA DC	3 Phase, 2 leg	Zero Cross	50 Amps AC @ 50°C	DIN Rail	DC32-40S0-0000
DC3S-5040-F0S1	400 VAC	4 - 20 mA DC	3 Phase, 2 leg	Zero Cross	50 Amps AC @ 50°C	DIN Rail	DC31-40S0-S000
DC3S-5040-F0S2	400 VAC	4 - 20 mA DC	3 Phase, 2 leg	Zero Cross	50 Amps AC @ 50°C	DIN Rail	DC32-40S0-S000
DC3S-5040-V101	400 VAC	0 - 5 VDC	3 Phase, 2 leg	Zero Cross	50 Amps AC @ 50°C	DIN Rail	DC31-40S3-0000
DC3S-5040-V102	400 VAC	0 - 5 VDC	3 Phase, 2 leg	Zero Cross	50 Amps AC @ 50°C	DIN Rail	DC32-40S3-0000
DC3S-5040-V1S1	400 VAC	0 - 5 VDC	3 Phase, 2 leg	Zero Cross	50 Amps AC @ 50°C	DIN Rail	DC31-40S3-S000
DC3S-5040-V1S2	400 VAC	0 - 5 VDC	3 Phase, 2 leg	Zero Cross	50 Amps AC @ 50°C	DIN Rail	DC32-40S3-S000
DC3S-5040-V201	400 VAC	1 - 5 VDC	3 Phase, 2 leg	Zero Cross	50 Amps AC @ 50°C	DIN Rail	DC31-40S4-0000
DC3S-5040-V202	400 VAC	1 - 5 VDC	3 Phase, 2 leg	Zero Cross	50 Amps AC @ 50°C	DIN Rail	DC32-40S4-0000
DC3S-5040-V2S1	400 VAC	1 - 5 VDC	3 Phase, 2 leg	Zero Cross	50 Amps AC @ 50°C	DIN Rail	DC31-40S4-S000
DC3S-5040-V2S2	400 VAC	1 - 5 VDC	3 Phase, 2 leg	Zero Cross	50 Amps AC @ 50°C	DIN Rail	DC32-40S4-S000
DC3S-5040-V301	400 VAC	0 - 10 VDC	3 Phase, 2 leg	Zero Cross	50 Amps AC @ 50°C	DIN Rail	DC31-40S5-0000
DC3S-5040-V302	400 VAC	0 - 10 VDC	3 Phase, 2 leg	Zero Cross	50 Amps AC @ 50°C	DIN Rail	DC32-40S5-0000
DC3S-5040-V3S1	400 VAC	0 - 10 VDC	3 Phase, 2 leg	Zero Cross	50 Amps AC @ 50°C	DIN Rail	DC31-40S5-S000
DC3S-5040-V3S2	400 VAC	0 - 10 VDC	3 Phase, 2 leg	Zero Cross	50 Amps AC @ 50°C	DIN Rail	DC32-40S5-S000
DC3S-5048-F001	480 VAC	4 - 20 mA DC	3 Phase, 2 leg	Zero Cross	50 Amps AC @ 50°C	DIN Rail	DC31-48S0-0000
DC3S-5048-F002	480 VAC	4 - 20 mA DC	3 Phase, 2 leg	Zero Cross	50 Amps AC @ 50°C	DIN Rail	DC32-48S0-0000
DC3S-5048-F0S1	480 VAC	4 - 20 mA DC	3 Phase, 2 leg	Zero Cross	50 Amps AC @ 50°C	DIN Rail	DC31-48S0-S000
DC3S-5048-F0S2	480 VAC	4 - 20 mA DC	3 Phase, 2 leg	Zero Cross	50 Amps AC @ 50°C	DIN Rail	DC32-48S0-S000
DC3S-5048-V101	480 VAC	0 - 5 VDC	3 Phase, 2 leg	Zero Cross	50 Amps AC @ 50°C	DIN Rail	DC31-48S3-0000
DC3S-5048-V102	480 VAC	0 - 5 VDC	3 Phase, 2 leg	Zero Cross	50 Amps AC @ 50°C	DIN Rail	DC32-48S3-0000
DC3S-5048-V1S1	480 VAC	0 - 5 VDC	3 Phase, 2 leg	Zero Cross	50 Amps AC @ 50°C	DIN Rail	DC31-48S3-S000
DC3S-5048-V1S2	480 VAC	0 - 5 VDC	3 Phase, 2 leg	Zero Cross	50 Amps AC @ 50°C	DIN Rail	DC32-48S3-S000
DC3S-5048-V201	480 VAC	1 - 5 VDC	3 Phase, 2 leg	Zero Cross	50 Amps AC @ 50°C	DIN Rail	DC31-48S4-0000
DC3S-5048-V202	480 VAC	1 - 5 VDC	3 Phase, 2 leg	Zero Cross	50 Amps AC @ 50°C	DIN Rail	DC32-48S4-0000

DIN-a-mite

DC3S-5048-V2S1	480 VAC	1 - 5 VDC	3 Phase, 2 leg	Zero Cross	50 Amps AC @ 50°C	DIN Rail	DC31-48S4-S000
DC3S-5048-V2S2	480 VAC	1 - 5 VDC	3 Phase, 2 leg	Zero Cross	50 Amps AC @ 50°C	DIN Rail	DC32-48S4-S000
DC3S-5048-V301	480 VAC	0 - 10 VDC	3 Phase, 2 leg	Zero Cross	50 Amps AC @ 50°C	DIN Rail	DC31-48S5-0000
DC3S-5048-V302	480 VAC	0 - 10 VDC	3 Phase, 2 leg	Zero Cross	50 Amps AC @ 50°C	DIN Rail	DC32-48S5-0000
DC3S-5048-V3S1	480 VAC	0 - 10 VDC	3 Phase, 2 leg	Zero Cross	50 Amps AC @ 50°C	DIN Rail	DC31-48S5-S000
DC3S-5048-V3S2	480 VAC	0 - 10 VDC	3 Phase, 2 leg	Zero Cross	50 Amps AC @ 50°C	DIN Rail	DC32-48S5-S000
DC3V-3024-F000	120 to 240 VAC	4 - 20 mA DC	3 Phase, 2 leg	Zero Cross	30 Amps AC @ 50°C	DIN Rail	DC30-24F0-0000
DC3V-3024-F0S0	120 to 240 VAC	4 - 20 mA DC	3 Phase, 2 leg	Zero Cross	30 Amps AC @ 50°C	DIN Rail	DC30-24F0-S000
DC3V-3060-F000	277 to 600 VAC	4 - 20 mA DC	3 Phase, 2 leg	Zero Cross	30 Amps AC @ 50°C	DIN Rail	DC30-60F0-0000
DC3V-3060-F0S0	277 to 600 VAC	4 - 20 mA DC	3 Phase, 2 leg	Zero Cross	30 Amps AC @ 50°C	DIN Rail	DC30-60F0-S000
DC3V-3524-F00T	120 to 240 VAC	4 - 20 mA DC	3 Phase, 2 leg	Zero Cross	35 Amps AC @ 50°C	DIN Rail	DC3T-24F0-0000
DC3V-3524-F0ST	120 to 240 VAC	4 - 20 mA DC	3 Phase, 2 leg	Zero Cross	35 Amps AC @ 50°C	DIN Rail	DC3T-24F0-S000
DC3V-3560-F00T	277 to 600 VAC	4 - 20 mA DC	3 Phase, 2 leg	Zero Cross	35 Amps AC @ 50°C	DIN Rail	DC3T-60F0-0000
DC3V-3560-F0ST	277 to 600 VAC	4 - 20 mA DC	3 Phase, 2 leg	Zero Cross	35 Amps AC @ 50°C	DIN Rail	DC3T-60F0-S000
DC3V-5024-F001	277 to 600 VAC	4 - 20 mA DC	3 Phase, 2 leg	Zero Cross	50 Amps AC @ 50°C	DIN Rail	DC31-24F0-0000
DC3V-5024-F002	277 to 600 VAC	4 - 20 mA DC	3 Phase, 2 leg	Zero Cross	50 Amps AC @ 50°C	DIN Rail	DC32-24F0-0000
DC3V-5024-F0S1	120 to 240 VAC	4 - 20 mA DC	3 Phase, 2 leg	Zero Cross	50 Amps AC @ 50°C	DIN Rail	DC31-24F0-S000
DC3V-5024-F0S2	277 to 600 VAC	4 - 20 mA DC	3 Phase, 2 leg	Zero Cross	50 Amps AC @ 50°C	DIN Rail	DC32-24F0-S000
DC3V-5060-F001	277 to 600 VAC	4 - 20 mA DC	3 Phase, 2 leg	Zero Cross	50 Amps AC @ 50°C	DIN Rail	DC31-60F0-0000
DC3V-5060-F002	277 to 600 VAC	4 - 20 mA DC	3 Phase, 2 leg	Zero Cross	50 Amps AC @ 50°C	DIN Rail	DC32-60F0-0000
DC3V-5060-F0S1	277 to 600 VAC	4 - 20 mA DC	3 Phase, 2 leg	Zero Cross	50 Amps AC @ 50°C	DIN Rail	DC31-60F0-S000
DC3V-5060-F0S2	277 to 600 VAC	4 - 20 mA DC	3 Phase, 2 leg	Zero Cross	50 Amps AC @ 50°C	DIN Rail	DC32-60F0-S000
DD1C-1M24-C000	120 to 240 VAC	4.5 to 32 VDC	3 Phase, 3 leg	Zero Cross	100 Amps AC @ 30°C	Back Panel Mount	DD10-24C0-0000
DD1C-1M24-C010	120 to 240 VAC	4.5 to 32 VDC	Single Phase	Zero Cross	100 Amps AC @ 30°C	Back Panel Mount	DD10-24C0-1000
DD1C-1M24-C0S0	120 to 240 VAC	4.5 to 32 VDC	Single Phase	Zero Cross	100 Amps AC @ 30°C	Back Panel Mount	DD10-24C0-S000
DD1C-1M24-K100	277 to 600 VAC	24 VAC	Single Phase	Zero Cross	100 Amps AC @ 30°C	Back Panel Mount	DD10-24K1-0000
DD1C-1M24-K110	277 to 600 VAC	24 VAC	Single Phase	Zero Cross	100 Amps AC @ 30°C	Back Panel Mount	DD10-24K1-1000
DD1C-1M24-K1S0	277 to 600 VAC	24 VAC	Single Phase	Zero Cross	100 Amps AC @ 30°C	Back Panel Mount	DD10-24K1-S000
DD1C-1M24-K200	120 to 240 VAC	120 VAC	Single Phase	Zero Cross	100 Amps AC @ 30°C	Back Panel Mount	DD10-24K2-0000
DD1C-1M24-K210	120 to 240 VAC	120 VAC	Single Phase	Zero Cross	100 Amps AC @ 30°C	Back Panel Mount	DD10-24K2-1000
DD1C-1M24-K2S0	120 to 240 VAC	120 VAC	Single Phase	Zero Cross	100 Amps AC @ 30°C	Back Panel Mount	DD10-24K2-S000
DD1C-1M24-K300	120 to 240 VAC	240 VAC	Single Phase	Zero Cross	100 Amps AC @ 30°C	Back Panel Mount	DD10-24K3-0000
DD1C-1M24-K310	120 to 240 VAC	240 VAC	Single Phase	Zero Cross	100 Amps AC @ 30°C	Back Panel Mount	DD10-24K3-1000
DD1C-1M24-K3S0	120 to 240 VAC	240 VAC	Single Phase	Zero Cross	100 Amps AC @ 30°C	Back Panel Mount	DD10-24K3-S000
DD1C-1M60-C000	277 to 600 VAC	4.5 to 32 VDC	Single Phase	Zero Cross	100 Amps AC @ 30°C	Back Panel Mount	DD10-60C0-0000
DD1C-1M60-C010	277 to 600 VAC	4.5 to 32 VDC	Single Phase	Zero Cross	100 Amps AC @ 30°C	Back Panel Mount	DD10-60C0-1000
DD1C-1M60-C0S0	277 to 600 VAC	4.5 to 32 VDC	Single Phase	Zero Cross	100 Amps AC @ 30°C	Back Panel Mount	DD10-60C0-S000

DIN-a-mite

DD1C-1M60-K100	277 to 600 VAC	24 VAC	Single Phase	Zero Cross	100 Amps AC @ 30°C	Back Panel Mount	DD10-60K1-0000
DD1C-1M60-K110	277 to 600 VAC	24 VAC	Single Phase	Zero Cross	100 Amps AC @ 30°C	Back Panel Mount	DD10-60K1-1000
DD1C-1M60-K1S0	277 to 600 VAC	24 VAC	Single Phase	Zero Cross	100 Amps AC @ 30°C	Back Panel Mount	DD10-60K1-S000
DD1C-1M60-K200	277 to 600 VAC	120 VAC	Single Phase	Zero Cross	100 Amps AC @ 30°C	Back Panel Mount	DD10-60K2-0000
DD1C-1M60-K210	277 to 600 VAC	120 VAC	Single Phase	Zero Cross	100 Amps AC @ 30°C	Back Panel Mount	DD10-60K2-1000
DD1C-1M60-K2S0	277 to 600 VAC	120 VAC	Single Phase	Zero Cross	100 Amps AC @ 30°C	Back Panel Mount	DD10-60K2-S000
DD1C-1M60-K300	277 to 600 VAC	240 VAC	Single Phase	Zero Cross	100 Amps AC @ 30°C	Back Panel Mount	DD10-60K3-0000
DD1C-1M60-K310	277 to 600 VAC	240 VAC	Single Phase	Zero Cross	100 Amps AC @ 30°C	Back Panel Mount	DD10-60K3-1000
DD1C-1M60-K3S0	277 to 600 VAC	240 VAC	Single Phase	Zero Cross	100 Amps AC @ 30°C	Back Panel Mount	DD10-60K3-S000
DD1V-1M24-F000	120 to 240 VAC	4 - 20 mA DC	Single Phase	Zero Cross	100 Amps AC @ 30°C	Back Panel Mount	DD10-24F0-0000
DD1V-1M24-F010	120 to 240 VAC	4 - 20 mA DC	Single Phase	Zero Cross	100 Amps AC @ 30°C	Back Panel Mount	DD10-24F0-1000
DD1V-1M24-F0S0	120 to 240 VAC	4 - 20 mA DC	Single Phase	Zero Cross	100 Amps AC @ 30°C	Back Panel Mount	DD10-24F0-S000
DD1V-1M60-F000	277 to 600 VAC	4 - 20 mA DC	Single Phase	Zero Cross	100 Amps AC @ 30°C	Back Panel Mount	DD10-60F0-0000
DD1V-1M60-F010	277 to 600 VAC	4 - 20 mA DC	Single Phase	Zero Cross	100 Amps AC @ 30°C	Back Panel Mount	DD10-60F0-1000
DD1V-1M60-F0S0	277 to 600 VAC	4 - 20 mA DC	Single Phase	Zero Cross	100 Amps AC @ 30°C	Back Panel Mount	DD10-60F0-S000
DM1C-5024-C000	120 to 240 VAC	3 to 32 VDC	Single Phase	Zero Cross	50 Amps AC @ 50°C	DIN Rail	DC10-24C0-0000
DM1C-5024-C0S0	120 to 240 VAC	3 to 32 VDC	Single Phase	Zero Cross	50 Amps AC @ 50°C	DIN Rail	DC10-24C0-S000
DM1C-5024-K100	120 to 240 VAC	24 VAC	Single Phase	Zero Cross	50 Amps AC @ 50°C	DIN Rail	DC10-24K1-0000
DM1C-5024-K1S0	120 to 240 VAC	24 VAC	Single Phase	Zero Cross	50 Amps AC @ 50°C	DIN Rail	DC10-24K1-S000
DM1C-5024-K200	120 to 240 VAC	120 VAC	Single Phase	Zero Cross	50 Amps AC @ 50°C	DIN Rail	DC10-24K2-0000
DM1C-5024-K2S0	120 to 240 VAC	120 VAC	Single Phase	Zero Cross	50 Amps AC @ 50°C	DIN Rail	DC10-24K2-S000
DM1C-5024-K300	120 to 240 VAC	240 VAC	Single Phase	Zero Cross	50 Amps AC @ 50°C	DIN Rail	DC10-24K3-0000
DM1C-5024-K3S0	120 to 240 VAC	240 VAC	Single Phase	Zero Cross	50 Amps AC @ 50°C	DIN Rail	DC10-24K3-S000
DM1C-5060-C000	277 to 600 VAC	3 to 32 VDC	Single Phase	Zero Cross	50 Amps AC @ 50°C	DIN Rail	DC10-60C0-0000
DM1C-5060-C0S0	277 to 600 VAC	3 to 32 VDC	Single Phase	Zero Cross	50 Amps AC @ 50°C	DIN Rail	DC10-60C0-S000
DM1C-5060-K100	277 to 600 VAC	24 VAC	Single Phase	Zero Cross	50 Amps AC @ 50°C	DIN Rail	DC10-60K1-0000
DM1C-5060-K1S0	277 to 600 VAC	24 VAC	Single Phase	Zero Cross	50 Amps AC @ 50°C	DIN Rail	DC10-60K1-S000
DM1C-5060-K200	277 to 600 VAC	120 VAC	Single Phase	Zero Cross	50 Amps AC @ 50°C	DIN Rail	DC10-60K2-0000
DM1C-5060-K2S0	277 to 600 VAC	120 VAC	Single Phase	Zero Cross	50 Amps AC @ 50°C	DIN Rail	DC10-60K2-S000
DM1C-5060-K300	277 to 600 VAC	240 VAC	Single Phase	Zero Cross	50 Amps AC @ 50°C	DIN Rail	DC10-60K3-0000
DM1C-5060-K3S0	277 to 600 VAC	240 VAC	Single Phase	Zero Cross	50 Amps AC @ 50°C	DIN Rail	DC10-60K3-S000
DM1C-6524-C000	120 to 240 VAC	3 to 32 VDC	Single Phase	Zero Cross	65 Amps AC @ 50°C	DIN Rail	DC11-24C0-0000
DM1C-6524-C0S0	120 to 240 VAC	3 to 32 VDC	Single Phase	Zero Cross	65 Amps AC @ 50°C	DIN Rail	DC11-24C0-S000
DM1C-6524-K100	120 to 240 VAC	24 VAC	Single Phase	Zero Cross	65 Amps AC @ 50°C	DIN Rail	DC11-24K1-0000
DM1C-6524-K1S0	120 to 240 VAC	24 VAC	Single Phase	Zero Cross	65 Amps AC @ 50°C	DIN Rail	DC11-24K1-S000
DM1C-6524-K200	120 to 240 VAC	120 VAC	Single Phase	Zero Cross	65 Amps AC @ 50°C	DIN Rail	DC11-24K2-0000
DM1C-6524-K2S0	120 to 240 VAC	120 VAC	Single Phase	Zero Cross	65 Amps AC @ 50°C	DIN Rail	DC11-24K2-S000

DIN-a-mite

DM1C-6524-K300	120 to 240 VAC	240 VAC	Single Phase	Zero Cross	65 Amps AC @ 50°C	DIN Rail	DC11-24K3-0000
DM1C-6524-K3S0	120 to 240 VAC	240 VAC	Single Phase	Zero Cross	65 Amps AC @ 50°C	DIN Rail	DC11-24K3-S000
DM1C-6560-C000	277 to 600 VAC	3 to 32 VDC	Single Phase	Zero Cross	65 Amps AC @ 50°C	DIN Rail	DC11-60C0-0000
DM1C-6560-C0S0	277 to 600 VAC	3 to 32 VDC	Single Phase	Zero Cross	65 Amps AC @ 50°C	DIN Rail	DC11-60C0-S000
DM1C-6560-K100	277 to 600 VAC	24 VAC	Single Phase	Zero Cross	65 Amps AC @ 50°C	DIN Rail	DC11-60K1-0000
DM1C-6560-K1S0	277 to 600 VAC	24 VAC	Single Phase	Zero Cross	65 Amps AC @ 50°C	DIN Rail	DC11-60K1-S000
DM1C-6560-K200	277 to 600 VAC	120 VAC	Single Phase	Zero Cross	65 Amps AC @ 50°C	DIN Rail	DC11-60K2-0000
DM1C-6560-K2S0	277 to 600 VAC	120 VAC	Single Phase	Zero Cross	65 Amps AC @ 50°C	DIN Rail	DC11-60K2-S000
DM1C-6560-K300	277 to 600 VAC	240 VAC	Single Phase	Zero Cross	65 Amps AC @ 50°C	DIN Rail	DC11-60K3-0000
DM1C-6560-K3S0	277 to 600 VAC	240 VAC	Single Phase	Zero Cross	65 Amps AC @ 50°C	DIN Rail	DC11-60K3-S000
DM1V-5024-F000	120 to 240 VAC	4 - 20 mA DC	Single Phase	Zero Cross	50 Amps AC @ 50°C	DIN Rail	DC10-24F0-0000
DM1V-5024-F0S0	120 to 240 VAC	4 - 20 mA DC	Single Phase	Zero Cross	50 Amps AC @ 50°C	DIN Rail	DC10-24F0-S000
DM1V-5060-F000	277 to 600 VAC	4 - 20 mA DC	Single Phase	Zero Cross	50 Amps AC @ 50°C	DIN Rail	DC10-60F0-0000
DM1V-5060-F0S0	277 to 600 VAC	4 - 20 mA DC	Single Phase	Zero Cross	50 Amps AC @ 50°C	DIN Rail	DC10-60F0-S000
DM1V-6524-F000	120 to 240 VAC	4 - 20 mA DC	Single Phase	Zero Cross	65 Amps AC @ 50°C	DIN Rail	DC11-24F0-0000
DM1V-6524-F0S0	120 to 240 VAC	4 - 20 mA DC	Single Phase	Zero Cross	65 Amps AC @ 50°C	DIN Rail	DC11-24F0-S000
DM1V-6560-F000	277 to 600 VAC	4 - 20 mA DC	Single Phase	Zero Cross	65 Amps AC @ 50°C	DIN Rail	DC11-60F0-0000
DM1V-6560-F0S0	277 to 600 VAC	4 - 20 mA DC	Single Phase	Zero Cross	65 Amps AC @ 50°C	DIN Rail	DC11-60F0-S000
DM2C-4024-C000	120 to 240 VAC	3 to 32 VDC	Single Phase	Zero Cross	40 Amps AC @ 50°C	DIN Rail	DC20-24C0-0000
DM2C-4024-C0S0	120 to 240 VAC	3 to 32 VDC	Single Phase	Zero Cross	40 Amps AC @ 50°C	DIN Rail	DC20-24C0-S000
DM2C-4024-K100	120 to 240 VAC	24 VAC	Single Phase	Zero Cross	40 Amps AC @ 50°C	DIN Rail	DC20-24K1-0000
DM2C-4024-K1S0	120 to 240 VAC	24 VAC	Single Phase	Zero Cross	40 Amps AC @ 50°C	DIN Rail	DC20-24K1-S000
DM2C-4024-K200	120 to 240 VAC	120 VAC	Single Phase	Zero Cross	40 Amps AC @ 50°C	DIN Rail	DC20-24K2-0000
DM2C-4024-K2S0	120 to 240 VAC	120 VAC	Single Phase	Zero Cross	40 Amps AC @ 50°C	DIN Rail	DC20-24K2-S000
DM2C-4024-K300	120 to 240 VAC	240 VAC	Single Phase	Zero Cross	40 Amps AC @ 50°C	DIN Rail	DC20-24K3-0000
DM2C-4024-K3S0	120 to 240 VAC	240 VAC	Single Phase	Zero Cross	40 Amps AC @ 50°C	DIN Rail	DC20-24K3-S000
DM2C-4060-C000	277 to 600 VAC	3 to 32 VDC	Single Phase	Zero Cross	40 Amps AC @ 50°C	DIN Rail	DC20-60C0-0000
DM2C-4060-C0S0	277 to 600 VAC	3 to 32 VDC	Single Phase	Zero Cross	40 Amps AC @ 50°C	DIN Rail	DC20-60C0-S000
DM2C-4060-K100	277 to 600 VAC	24 VAC	Single Phase	Zero Cross	40 Amps AC @ 50°C	DIN Rail	DC20-60K1-0000
DM2C-4060-K1S0	277 to 600 VAC	24 VAC	Single Phase	Zero Cross	40 Amps AC @ 50°C	DIN Rail	DC20-60K1-S000
DM2C-4060-K200	277 to 600 VAC	120 VAC	Single Phase	Zero Cross	40 Amps AC @ 50°C	DIN Rail	DC20-60K2-0000
DM2C-4060-K2S0	277 to 600 VAC	120 VAC	Single Phase	Zero Cross	40 Amps AC @ 50°C	DIN Rail	DC20-60K2-S000
DM2C-4060-K300	277 to 600 VAC	240 VAC	Single Phase	Zero Cross	40 Amps AC @ 50°C	DIN Rail	DC20-60K3-0000
DM2C-4060-K3S0	277 to 600 VAC	240 VAC	Single Phase	Zero Cross	40 Amps AC @ 50°C	DIN Rail	DC20-60K3-S000
DM2C-5624-C000	120 to 240 VAC	3 to 32 VDC	Single Phase	Zero Cross	56 Amps AC @ 50°C	DIN Rail	DC21-24C0-0000
DM2C-5624-C0S0	120 to 240 VAC	3 to 32 VDC	Single Phase	Zero Cross	56 Amps AC @ 50°C	DIN Rail	DC21-24C0-S000
DM2C-5624-K100	120 to 240 VAC	24 VAC	Single Phase	Zero Cross	56 Amps AC @ 50°C	DIN Rail	DC21-24K1-0000

DIN-a-mite

DM2C-5624-K1S0	120 to 240 VAC	24 VAC	Single Phase	Zero Cross	56 Amps AC @ 50°C	DIN Rail	DC21-24K1-S000
DM2C-5624-K200	120 to 240 VAC	120 VAC	Single Phase	Zero Cross	56 Amps AC @ 50°C	DIN Rail	DC21-24K2-0000
DM2C-5624-K2S0	120 to 240 VAC	120 VAC	Single Phase	Zero Cross	56 Amps AC @ 50°C	DIN Rail	DC21-24K2-S000
DM2C-5624-K300	120 to 240 VAC	240 VAC	Single Phase	Zero Cross	56 Amps AC @ 50°C	DIN Rail	DC21-24K3-0000
DM2C-5624-K3S0	120 to 240 VAC	240 VAC	Single Phase	Zero Cross	56 Amps AC @ 50°C	DIN Rail	DC21-24K3-S000
DM2C-5660-C000	277 to 600 VAC	3 to 32 VDC	Single Phase	Zero Cross	56 Amps AC @ 50°C	DIN Rail	DC21-60C0-0000
DM2C-5660-C0S0	277 to 600 VAC	3 to 32 VDC	Single Phase	Zero Cross	56 Amps AC @ 50°C	DIN Rail	DC21-60C0-S000
DM2C-5660-K100	277 to 600 VAC	24 VAC	Single Phase	Zero Cross	56 Amps AC @ 50°C	DIN Rail	DC21-60K1-0000
DM2C-5660-K1S0	277 to 600 VAC	24 VAC	Single Phase	Zero Cross	56 Amps AC @ 50°C	DIN Rail	DC21-60K1-S000
DM2C-5660-K200	277 to 600 VAC	120 VAC	Single Phase	Zero Cross	56 Amps AC @ 50°C	DIN Rail	DC21-60K2-0000
DM2C-5660-K2S0	277 to 600 VAC	120 VAC	Single Phase	Zero Cross	56 Amps AC @ 50°C	DIN Rail	DC21-60K2-S000
DM2C-5660-K300	277 to 600 VAC	240 VAC	Single Phase	Zero Cross	56 Amps AC @ 50°C	DIN Rail	DC21-60K3-0000
DM2C-5660-K3S0	277 to 600 VAC	240 VAC	Single Phase	Zero Cross	56 Amps AC @ 50°C	DIN Rail	DC21-60K3-S000
DM2V-4024-F000	120 to 240 VAC	4 - 20 mA DC	Single Phase	Zero Cross	40 Amps AC @ 50°C	DIN Rail	DC20-24F0-0000
DM2V-4024-F0S0	120 to 240 VAC	4 - 20 mA DC	Single Phase	Zero Cross	40 Amps AC @ 50°C	DIN Rail	DC20-24F0-S000
DM2V-4060-F000	277 to 600 VAC	4 - 20 mA DC	Single Phase	Zero Cross	40 Amps AC @ 50°C	DIN Rail	DC20-60F0-0000
DM2V-4060-F0S0	277 to 600 VAC	4 - 20 mA DC	Single Phase	Zero Cross	40 Amps AC @ 50°C	DIN Rail	DC20-60F0-S000
DM2V-5624-F000	120 to 240 VAC	4 - 20 mA DC	Single Phase	Zero Cross	56 Amps AC @ 50°C	DIN Rail	DC21-24F0-0000
DM2V-5624-F0S0	120 to 240 VAC	4 - 20 mA DC	Single Phase	Zero Cross	56 Amps AC @ 50°C	DIN Rail	DC21-24F0-S000
DM2V-5660-F000	277 to 600 VAC	4 - 20 mA DC	Single Phase	Zero Cross	56 Amps AC @ 50°C	DIN Rail	DC21-60F0-0000
DM2V-5660-F0S0	277 to 600 VAC	4 - 20 mA DC	Single Phase	Zero Cross	56 Amps AC @ 50°C	DIN Rail	DC21-60F0-S000
DM3C-3024-C000	120 to 240 VAC	3 to 32 VDC	Single Phase	Zero Cross	30 Amps AC @ 50°C	DIN Rail	DC30-24C0-0000
DM3C-3024-C0S0	120 to 240 VAC	3 to 32 VDC	Single Phase	Zero Cross	30 Amps AC @ 50°C	DIN Rail	DC30-24C0-S000
DM3C-3024-K100	120 to 240 VAC	24 VAC	Single Phase	Zero Cross	30 Amps AC @ 50°C	DIN Rail	DC30-24K1-0000
DM3C-3024-K1S0	120 to 240 VAC	24 VAC	Single Phase	Zero Cross	30 Amps AC @ 50°C	DIN Rail	DC30-24K1-S000
DM3C-3024-K200	120 to 240 VAC	120 VAC	Single Phase	Zero Cross	30 Amps AC @ 50°C	DIN Rail	DC30-24K2-0000
DM3C-3024-K2S0	120 to 240 VAC	120 VAC	Single Phase	Zero Cross	30 Amps AC @ 50°C	DIN Rail	DC30-24K2-S000
DM3C-3024-K300	120 to 240 VAC	240 VAC	Single Phase	Zero Cross	30 Amps AC @ 50°C	DIN Rail	DC30-24K3-0000
DM3C-3024-K3S0	120 to 240 VAC	240 VAC	Single Phase	Zero Cross	30 Amps AC @ 50°C	DIN Rail	DC30-24K3-S000
DM3C-3060-C000	277 to 600 VAC	3 to 32 VDC	Single Phase	Zero Cross	30 Amps AC @ 50°C	DIN Rail	DC30-60C0-0000
DM3C-3060-C0S0	277 to 600 VAC	3 to 32 VDC	Single Phase	Zero Cross	30 Amps AC @ 50°C	DIN Rail	DC30-60C0-S000
DM3C-3060-K100	277 to 600 VAC	24 VAC	Single Phase	Zero Cross	30 Amps AC @ 50°C	DIN Rail	DC30-60K1-0000
DM3C-3060-K1S0	277 to 600 VAC	24 VAC	Single Phase	Zero Cross	30 Amps AC @ 50°C	DIN Rail	DC30-60K1-S000
DM3C-3060-K200	277 to 600 VAC	120 VAC	Single Phase	Zero Cross	30 Amps AC @ 50°C	DIN Rail	DC30-60K2-0000
DM3C-3060-K2S0	277 to 600 VAC	120 VAC	Single Phase	Zero Cross	30 Amps AC @ 50°C	DIN Rail	DC30-60K2-S000
DM3C-3060-K300	277 to 600 VAC	240 VAC	Single Phase	Zero Cross	30 Amps AC @ 50°C	DIN Rail	DC30-60K3-0000
DM3C-3060-K3S0	277 to 600 VAC	240 VAC	Single Phase	Zero Cross	30 Amps AC @ 50°C	DIN Rail	DC30-60K3-S000

DIN-a-mite

DM3C-5024-C000	120 to 240 VAC	3 to 32 VDC	Single Phase	Zero Cross	50 Amps AC @ 50°C	DIN Rail	DC31-24C0-0000
DM3C-5024-C0S0	120 to 240 VAC	3 to 32 VDC	Single Phase	Zero Cross	50 Amps AC @ 50°C	DIN Rail	DC31-24C0-S000
DM3C-5024-K100	120 to 240 VAC	24 VAC	Single Phase	Zero Cross	50 Amps AC @ 50°C	DIN Rail	DC31-24K1-0000
DM3C-5024-K1S0	120 to 240 VAC	24 VAC	Single Phase	Zero Cross	50 Amps AC @ 50°C	DIN Rail	DC31-24K1-S000
DM3C-5024-K200	120 to 240 VAC	120 VAC	Single Phase	Zero Cross	50 Amps AC @ 50°C	DIN Rail	DC31-24K2-0000
DM3C-5024-K2S0	120 to 240 VAC	120 VAC	Single Phase	Zero Cross	50 Amps AC @ 50°C	DIN Rail	DC31-24K2-S000
DM3C-5024-K300	120 to 240 VAC	240 VAC	Single Phase	Zero Cross	50 Amps AC @ 50°C	DIN Rail	DC31-24K3-0000
DM3C-5024-K3S0	120 to 240 VAC	240 VAC	Single Phase	Zero Cross	50 Amps AC @ 50°C	DIN Rail	DC31-24K3-S000
DM3C-5060-C000	277 to 600 VAC	3 to 32 VDC	Single Phase	Zero Cross	50 Amps AC @ 50°C	DIN Rail	DC31-60C0-0000
DM3C-5060-C0S0	277 to 600 VAC	3 to 32 VDC	Single Phase	Zero Cross	50 Amps AC @ 50°C	DIN Rail	DC31-60C0-S000
DM3C-5060-K100	277 to 600 VAC	24 VAC	Single Phase	Zero Cross	50 Amps AC @ 50°C	DIN Rail	DC31-60K1-0000
DM3C-5060-K1S0	277 to 600 VAC	24 VAC	Single Phase	Zero Cross	50 Amps AC @ 50°C	DIN Rail	DC31-60K1-S000
DM3C-5060-K200	277 to 600 VAC	120 VAC	Single Phase	Zero Cross	50 Amps AC @ 50°C	DIN Rail	DC31-60K2-0000
DM3C-5060-K2S0	277 to 600 VAC	120 VAC	Single Phase	Zero Cross	50 Amps AC @ 50°C	DIN Rail	DC31-60K2-S000
DM3C-5060-K300	277 to 600 VAC	240 VAC	Single Phase	Zero Cross	50 Amps AC @ 50°C	DIN Rail	DC31-60K3-0000
DM3C-5060-K3S0	277 to 600 VAC	240 VAC	Single Phase	Zero Cross	50 Amps AC @ 50°C	DIN Rail	DC31-60K3-S000
DM3V-3024-F000	120 to 240 VAC	4 - 20 mA DC	Single Phase	Zero Cross	30 Amps AC @ 50°C	DIN Rail	DC30-24F0-0000
DM3V-3024-F0S0	120 to 240 VAC	4 - 20 mA DC	Single Phase	Zero Cross	30 Amps AC @ 50°C	DIN Rail	DC30-24F0-S000
DM3V-3060-F000	277 to 600 VAC	4 - 20 mA DC	Single Phase	Zero Cross	30 Amps AC @ 50°C	DIN Rail	DC30-60F0-0000
DM3V-3060-F0S0	277 to 600 VAC	4 - 20 mA DC	Single Phase	Zero Cross	30 Amps AC @ 50°C	DIN Rail	DC30-60F0-S000
DM3V-5024-F000	120 to 240 VAC	4 - 20 mA DC	Single Phase	Zero Cross	50 Amps AC @ 50°C	DIN Rail	DC31-24F0-0000
DM3V-5024-F0S0	120 to 240 VAC	4 - 20 mA DC	Single Phase	Zero Cross	50 Amps AC @ 50°C	DIN Rail	DC31-24F0-S000
DM3V-5060-F000	277 to 600 VAC	4 - 20 mA DC	Single Phase	Zero Cross	50 Amps AC @ 50°C	DIN Rail	DC31-60F0-0000
DM3V-5060-F0S0	277 to 600 VAC	4 - 20 mA DC	Single Phase	Zero Cross	50 Amps AC @ 50°C	DIN Rail	DC31-60F0-S000



WATLOW

Power Controls

Watlow Controls, 1241 Bundy Boulevard
P.O. Box 5580 Winona, Minnesota USA 55987-5580
Phone: 507-454-5300 Fax: 507-452-4507
Internet: <http://www.watlow.com>

DIN-a-mite[®] **Style A** Solid State Power Control

User's Manual



Congratulations on your purchase of a Watlow *DIN-a-mite*[®] solid state power control.

This product represents the state-of-the-art in solid state power control design. Please consult this user manual when placing your new *DIN-a-mite* in service. It contains all the necessary information to mount and wire the product into the application. This manual also contains all user pertinent specifications and semiconductor fusing recommendations. Please refer to national and local electrical code safety guidelines whenever installing electrical equipment.

This *DIN-a-mite* product is capable of switching up to 16A single phase at 600V~ (ac), depending on the model selected. (See the output rating curve in the specifications section.) The *DIN-a-mite* is electrically touch safe, and includes DIN rail or standard back panel mounting. VDE 0160 licensed, UL508 listed, C-UL, and CE (see Declaration of Conformity - filter required.)

0600-0025-0001 Rev C

August 1999, North American English
Supersedes: 0600-0025-0001 Rev B

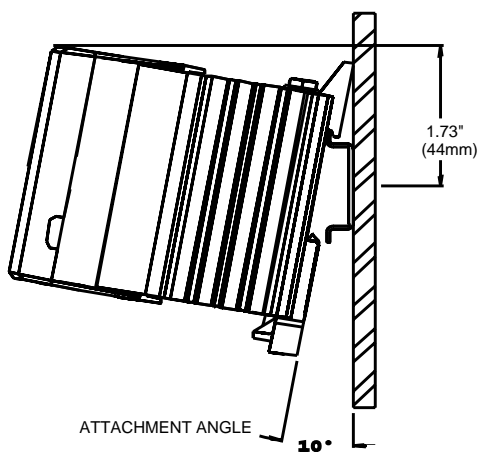
Made in the U.S.A.



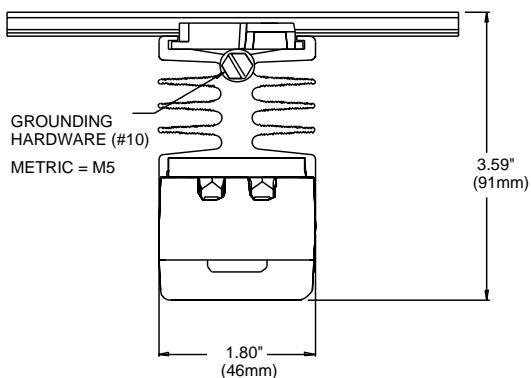
Printed on Recycled Paper
10% Postconsumer Waste

Unit Dimensions

Attachment Angle



Top



3

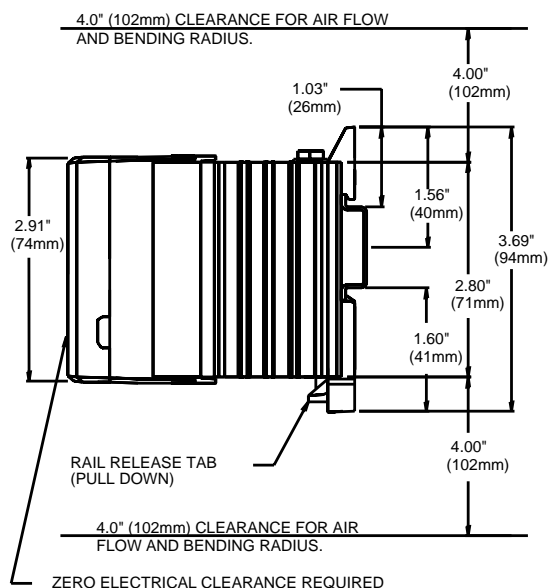


5

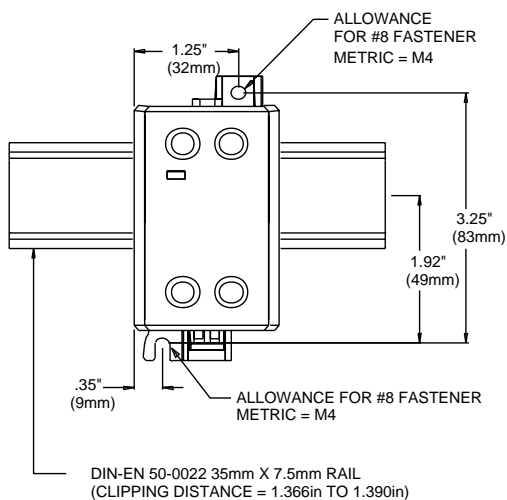


Mount cooling fins vertical. ↑

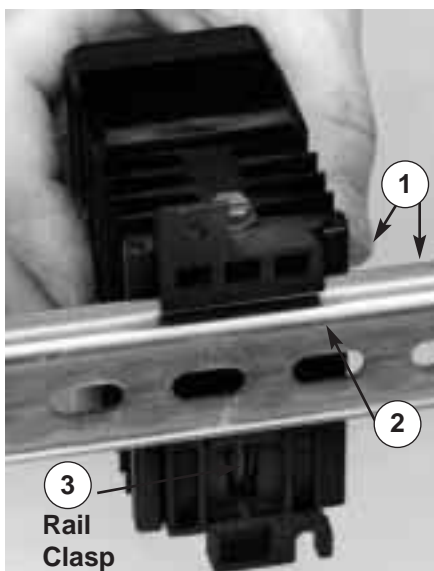
Side



Front

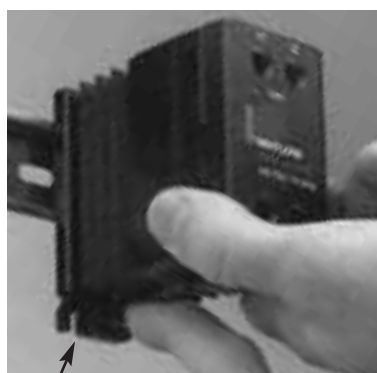


Mounting



To Mount *DIN-a-mite* 3

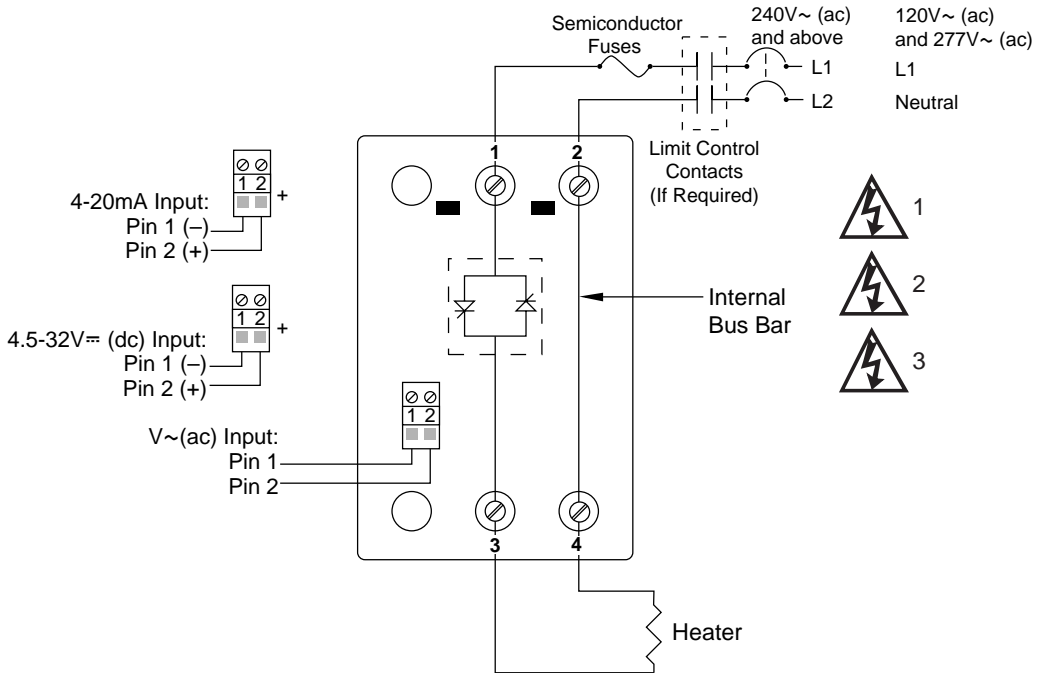
1. Push unit in and down to catch rail hook on top of rail.
2. Rotate bottom of unit in toward rail.
3. Rail clasp will audibly "snap" into place. If the *DIN-a-mite* does not snap into place, check to see if the rail is bent.
4. Mount cooling fins vertical.



To Dismount *DIN-a-mite*

1. Press down on release tab while rotating unit up and away from rail.

1Ø Output and Input Wiring



WARNINGS:



1 **WARNING:** Wiring must conform to National Electric Code (NEC) safety standards, as well as locally applicable codes. Failure to do so could result in personal injury or death.



2 **WARNING:** Wiring examples show L2 in 240V~ (ac) or 480V~ (ac) configuration. In 120V~ (ac) or 277V~ (ac) applications, L2 is neutral and must not be fused or switched. Failure to follow this guideline could result in personal injury or death.



3 **WARNING:** Installation and service by qualified personnel only. Failure to do so could result in personal injury or death.

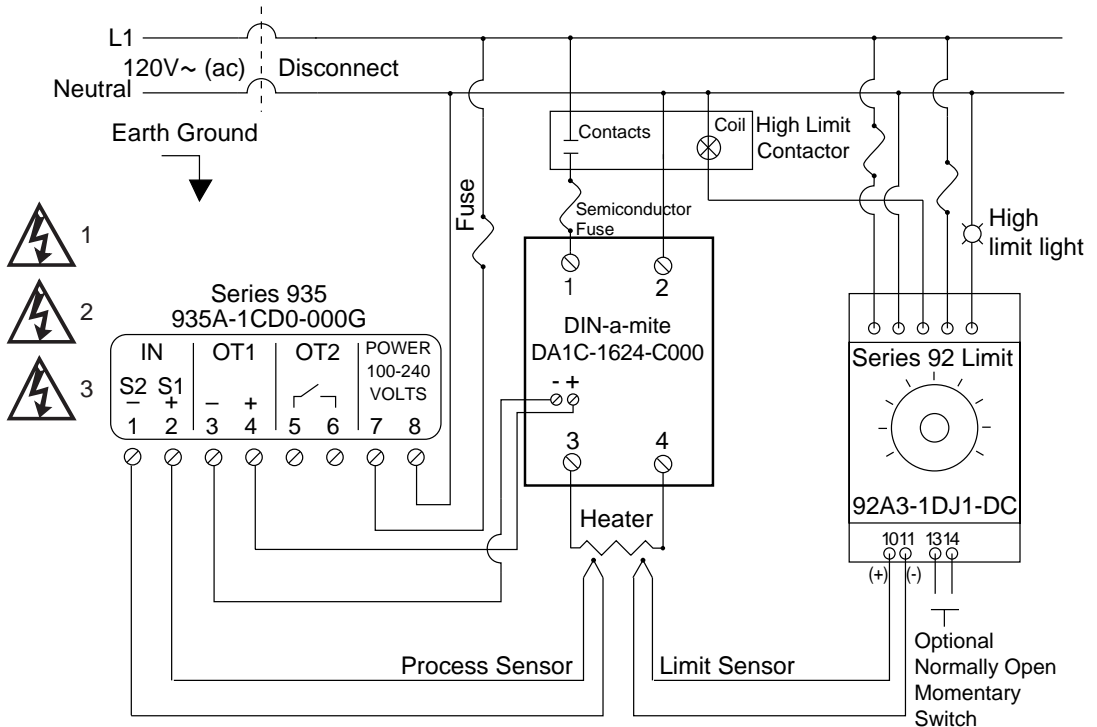


4 **WARNING:** Signal wires should have a wire tie prior to exiting the cover. Failure to follow this guideline could result in personal injury or death.



5 **WARNING:** Hot surface, do not touch heat sink. Failure to follow this guideline could result in personal injury.

120V System Wiring Example



Specifications

(1809)

Control Mode-Zero Cross

- V~ (ac) input contactor
- V= (dc) input contactor
- 4-20mA variable time base control

Operator Interface

- Command signal input
- Input signal indication LED

Input Command Signal

- 24, 120, 240V~ (ac) @ 13mA max.
- 4.5 - 32V= (dc): max current @ 4.5V= (dc) is 8.5mA per leg plus 1.2mA LED current
- 4-20mA (=dc): 375 ohms input impedance, loop powered. Output control Type 'V' option only.

Output Voltage

- 22 to 50V~ (ac) units: 22V~ (ac) min. to 50V~ (ac) max.
- 120-240V~ (ac) units: 48V~ (ac) min. to 280V~ (ac) max.
- 277-600V~ (ac) units: 80V~ (ac) min. to 660V~ (ac) max.
- Off State Leakage 1mA at 25°C maximum

Amperage

- 1 phase, 16A output maximum at 50°C into a resistive load. See output rating curve.
- Max. I²t for fusing: 260A² sec
- Holding current: 200µA max.
- Latching current: 5mA typical

Power Dissipation

- 1.25 watts per amp switched

Operating Environment

- Up to 80°C. See output rating curve for your application.
- 0 to 90% RH, non-condensing.
- Installation only tested to 3000 meters
- Units are suitable for "Pollution degree 2"
- Contactor V= (dc)/V~ (ac) type input cycle time should be less than 3 seconds

Agency Approvals

- UL508 listed and C-UL File #E73741
- CE with proper filter:
89/336/EEC Electromagnetic Compatibility Directive
EN 50081-2: 1994 Emissions
EN 50082-2: 1995 Immunity
- 73/23/EEC Low Voltage Directive
EN 61010-1: 1993 Safety
- prEN 50178 Safety requirements; VDE 0160, License #91623
- U.S. Patent No. 5,598,322

Terminals

- Compression - will accept #10-14 AWG wire
- Torque to 10 in. lbs. max.

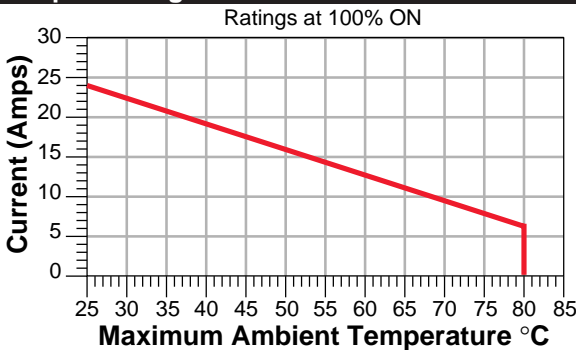
Mounting

- Options include DIN rail or standard back panel mounting.
- The DIN rail specification is: DIN EN 50022, 35mm x 7.5mm
- Minimum clipping distance: 1.37 in. (34.8mm)
- Maximum clipping distance: 1.39 in. (35.3mm)
- Mount cooling fins vertical

Weight/Dimensions

- 11.40 ounces; 323 grams
- 3.70 in. (94 mm) high x 1.80 in. (46 mm) wide x 3.60 in. (91 mm) deep

Output Rating Curve



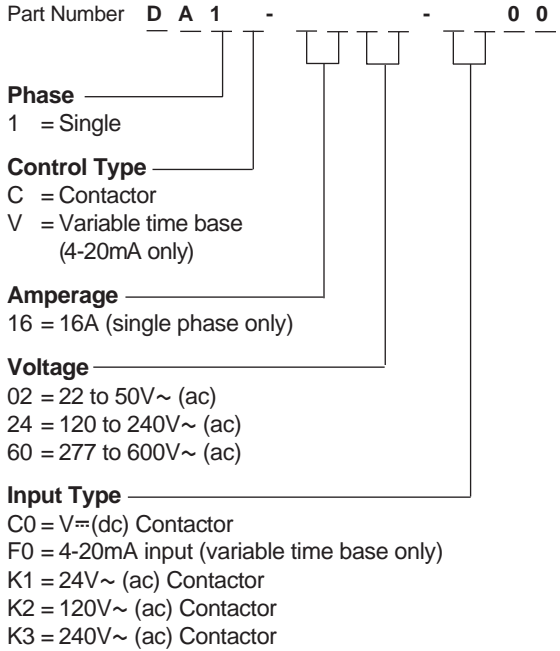
Warranty

The DIN-a-mite is warranted to be free of defects in material and workmanship for 36 months after delivery to the first purchaser for use, providing that the units have not been misapplied. Since Watlow has no control over their use, and sometimes misuse, we cannot guarantee against failure.

**TOTAL
CUSTOMER
SATISFACTION**

Ordering Information

(1810)



Recommended semiconductor fuse for applications through 600V~ (ac):

DIN-a-mite Model:	16A
Bussmann Fuse P/N:	FWC20A10F
Watlow Fuse P/N:	17-8020
Fuse Holder P/N:	17-5110

Note: User documentation may be available in French, German, Spanish, Italian, and Dutch, as well as English. Check Watlow's website (www.watlow.com/) for availability. Specify language at time of order.

Specification subject to change without notice.

Returns

1. Call Customer Service: 507-454-5300, or fax: 507-452-4507, for a Return Material Authorization (RMA) number before returning any item for repair.
2. Make sure the RMA number is on the outside of the carton, and on all paperwork returned. Ship on a freight pre-paid basis.
3. A restocking charge of 20% of the net price applies for all returned stock controls and accessories in like new condition and within 120 days after shipment. Non-stock and modified stock items are not returnable.
4. If the unit is unrepairable, it will be returned to you with a letter of explanation. Repair costs will not exceed 50% of the original cost.

Technical Support

If you encounter a problem with your Watlow controller, verify that your wiring is correct for your specific model number. If the problem persists, an Application Engineer can discuss your application with you.

Before calling, please have the complete model number and user's manual available. You can get technical support by dialing 507/494-5656, 7 AM to 7 PM Central Standard Time, or e-mail to wintechsupport@watlow.com.

The DIN-a-mite A User's Manual is copyrighted by Watlow Winona, Inc., © August 1999, with all rights reserved. (1807)

Watlow's obligations hereunder, at Watlow's option, are limited to replacement, repair, or refund of purchase price, and parts which upon examination prove to be defective within the warranty period specified. This warranty does not apply to damage resulting from transportation, alteration, misuse, abuse, or improper fusing.



Power Controllers

Watlow Controls, 1241 Bundy Boulevard
P.O. Box 5580, Winona, Minnesota USA 55987-5580
Phone: +1 (507) 454-5300, Fax: +1 (507) 452-4507,
Internet: <http://www.watlow.com>

User's Manual



CE 96

DIN-a-mite Style B Solid State Power Controllers

Congratulations on your purchase of a Watlow *DIN-a-mite*® Solid State Power Controller.

This product represents the state-of-the-art in solid state power controller design. Please consult this user manual when placing your new DIN-a-mite into service. It contains all the necessary information to mount and wire the product into the application. This manual also contains all user pertinent specifications and semiconductor fusing recommendations. Refer to national and local electrical code safety guidelines whenever installing electrical equipment.

This DIN-a-mite product is capable of switching up to 30 amps single phase; 20 amps three phase, 2 leg; and 15 amps three phase, 3 leg at 600V~. (See output rating curve in the specifications section of this manual.) The DIN-a-mite is electrically touch safe, and includes DIN rail or standard back panel mounting. An optional "shorted SCR detector" feature is available on specific models. VDE 0160 licensed, UL508 listed, C-UL, and CE with filter.

The DIN-a-mite solid state power controller is designed and manufactured by Watlow Controls in Winona, Minnesota.

0600-0025-0005 Rev C

November 1999, North American English
Supersedes 0600-0025-0005 Rev B

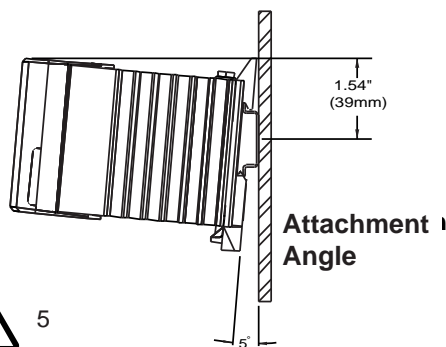
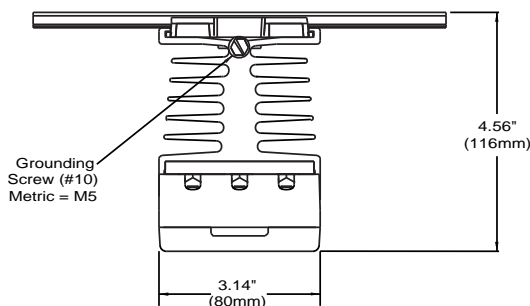


Made in the U.S.A.

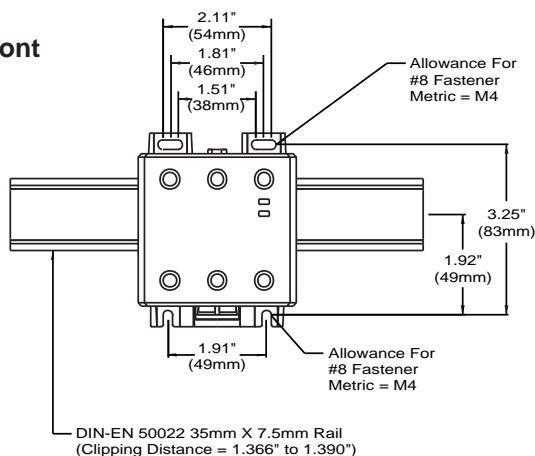
Printed on Recycled Paper
10% Postconsumer Waste

Unit Dimensions

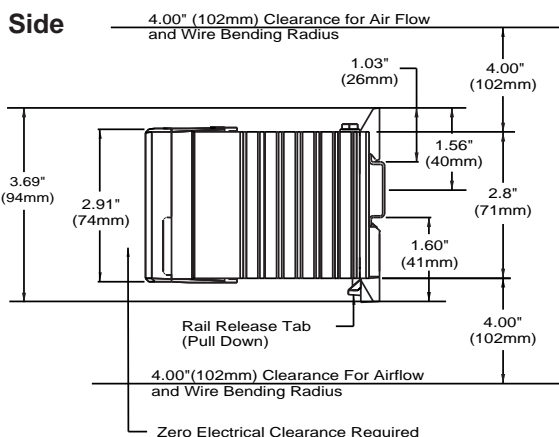
Top



Front

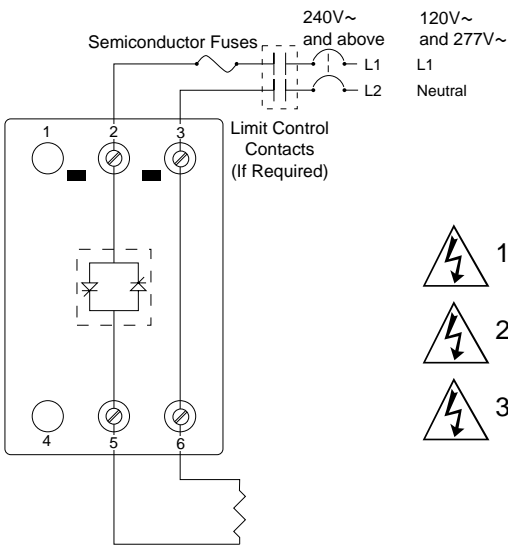


Side

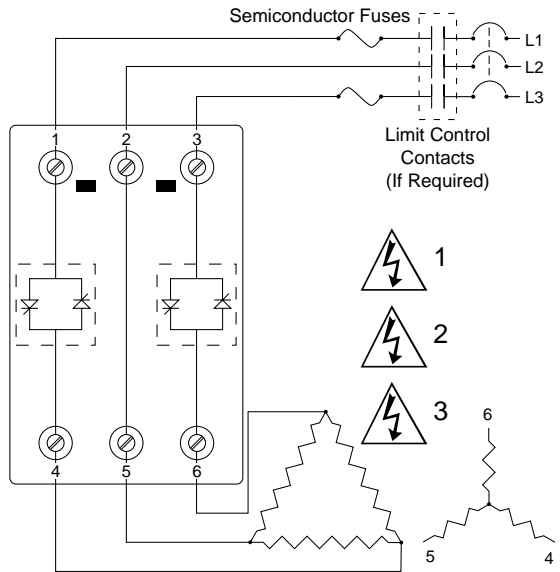


⚠ Mount cooling fins vertically ↑

1Ø Output



3Ø 2 Leg Output



WARNINGS:



1 **WARNING:** Wiring must conform to National Electric Code (NEC) safety standards, as well as locally applicable codes. Failure to do so could result in personal injury or death.



2 **WARNING:** Wiring examples show L2 in 240V~ or 480V~ configuration. In 120V~ or 277V~ applications, L2 is neutral and must not be fused or switched. Failure to follow this guideline could result in personal injury or death.



3 **WARNING:** Installation and service by qualified personnel only. Failure to do so could result in personal injury or death.

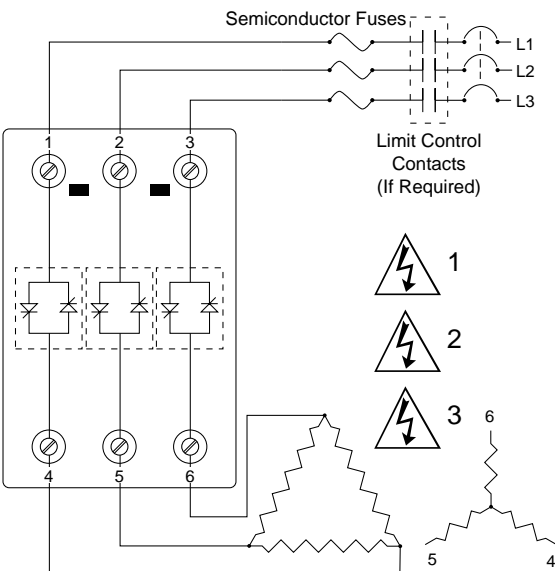


4 **WARNING:** Signal wires should have a wire tie prior to exiting the cover. Failure to follow this guideline could result in personal injury or death.

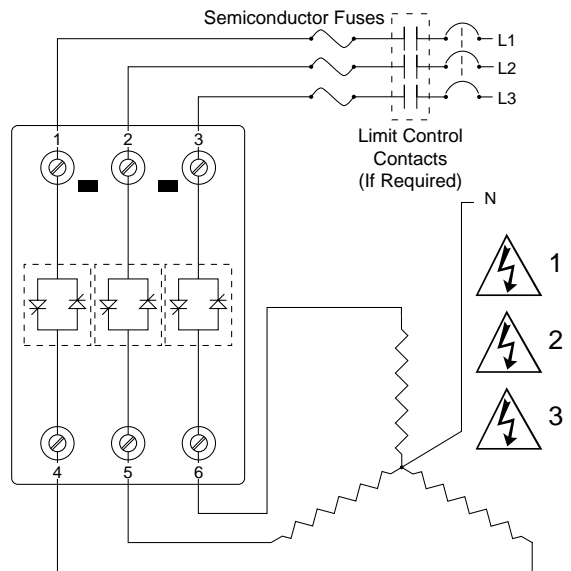


5 **WARNING:** Hot surface, do not touch heat sink. Failure to follow this guideline could result in personal injury.

3Ø 3 Leg Output

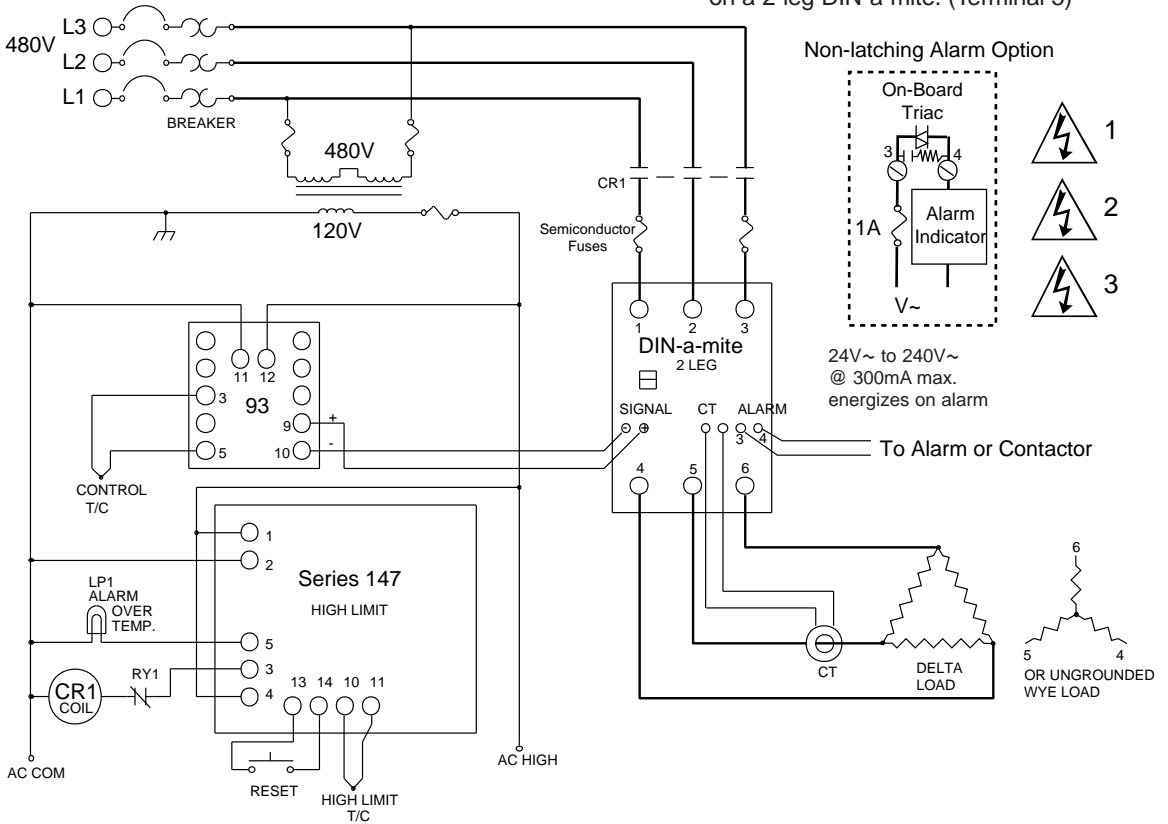


3Ø 3 Leg, 4 Wire Output



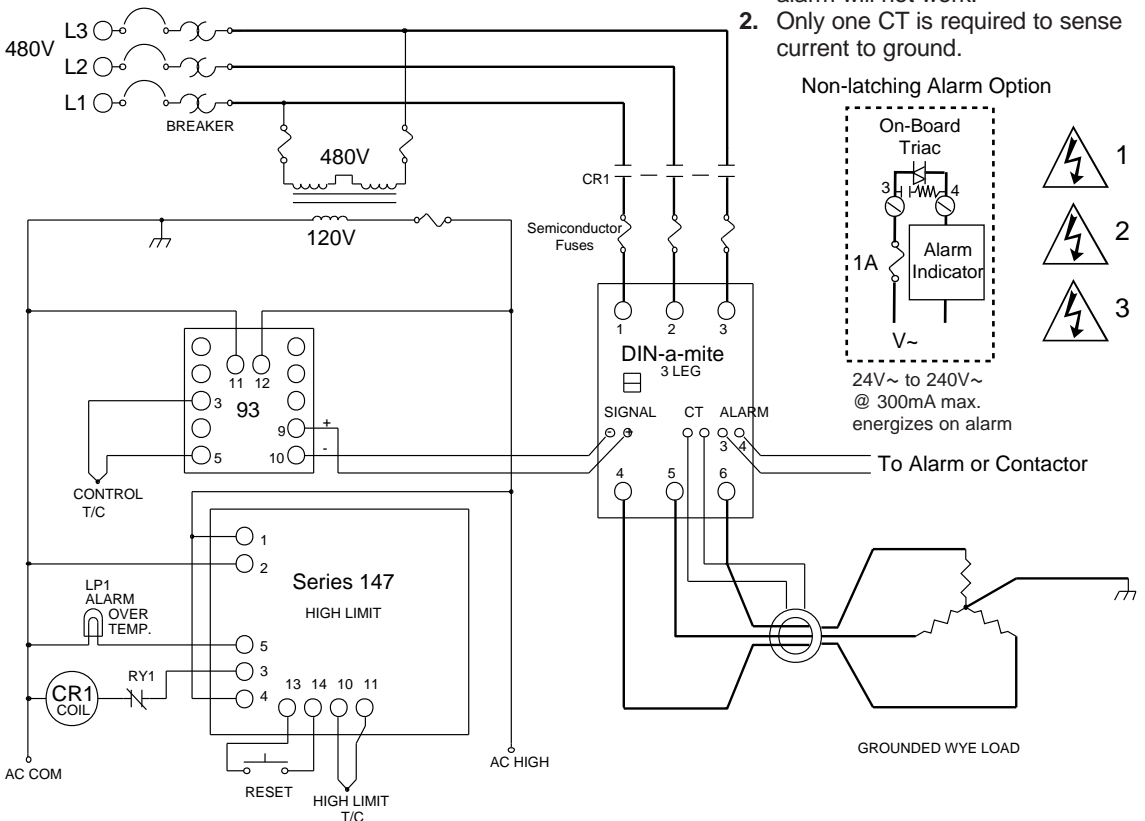
System Wiring Example Ungrounded Delta or Wye Load 3Ø 2 Leg DIN-a-mite

Note: 1. The CT must be in the uncontrolled leg on a 2-leg DIN-a-mite. (Terminal 5)

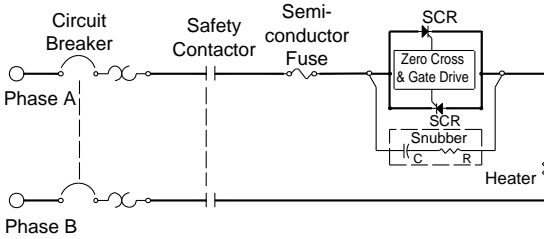


System Wiring Example Grounded Wye 3Ø 3 Leg DIN-a-mite

Notes: 1. If center of Wye is not grounded, alarm will not work.
2. Only one CT is required to sense current to ground.

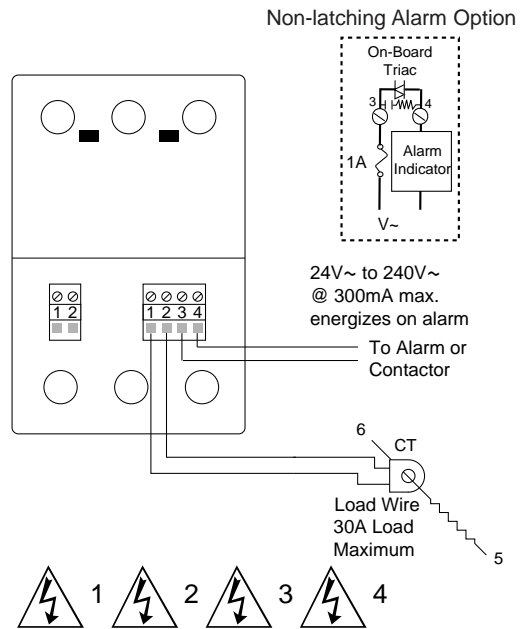


Circuit Protection



1. The circuit breaker or a fused disconnect is needed to protect all "hot" phases.
2. The circuit breaker or fused disconnect is required to protect the wiring and the load (heater). It is too slow to protect the SCRs.
3. The safety contactor should be used in conjunction with a high limit to protect the heaters and / or equipment if an over-temperature condition could occur from a shorted SCR, a bad temperature controller, or a shorted thermocouple.
4. The semiconductor fuse is used only to protect the SCR. It is classed as a specialty fuse and is not legal to protect the wiring or the heater. They are fast enough to clear before the SCR will be damaged.
5. The snubber is not included in the DIN-a-mite. It is intended to reduce the rate of rise of a voltage transient to the point where it will not damage the SCR. A snubber could be added externally, if needed, on an extremely noisy power line.

Current Transformer and Alarm



Load Current	Number of Passes of Load Wire Through Current Transformer
5 to 9 Amps	2
10 to 30 Amps	1

NOTE: If you plan to parallel or series multiple DIN-a-mite alarm outputs, you need to include an intermediate relay between the triac output and the shunt trip or contactor coil.

Shorted Output Protection

The Watlow DIN-a-mite alarm option provides shorted output protection. If there is output current and no input command signal, the DIN-a-mite triggers an alarm. Typical indicators such as a latching limit, light, or audible alarm (customer-supplied) are triggered by the DIN-a-mite triac, rated for 24/240V~ 300mA @ 25°C and 125mA @ 80°C.

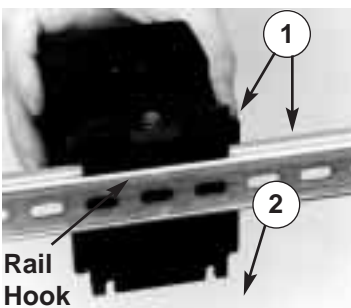
Mounting and Dismounting

To mount:

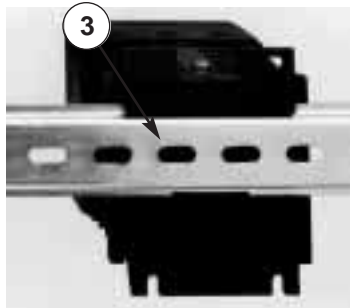
Make sure cooling fins are mounted vertically.

1. Push unit in and down to catch rail hook on top of rail.

2. Rotate bottom of unit in toward the rail.

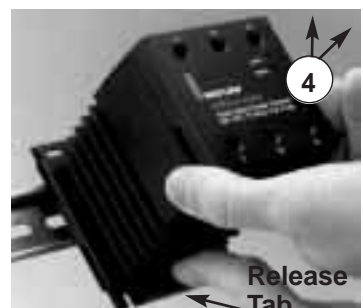


3. Rail clasp will audibly "snap" into place. If the DIN-a-mite does not snap into place, check to see if the rail is bent.

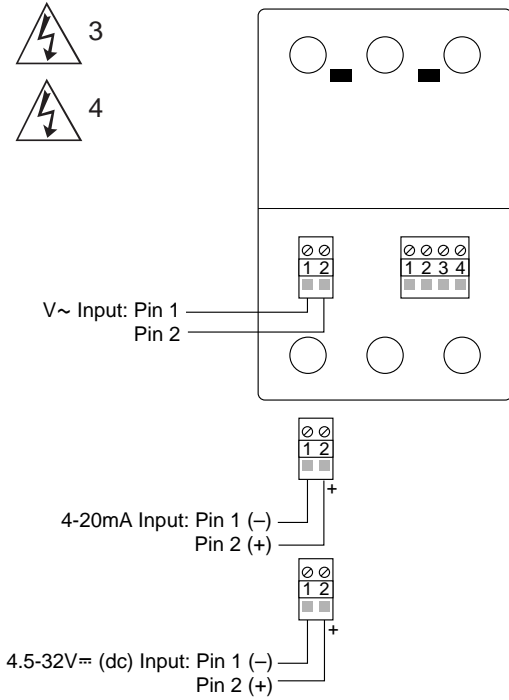


To dismount:

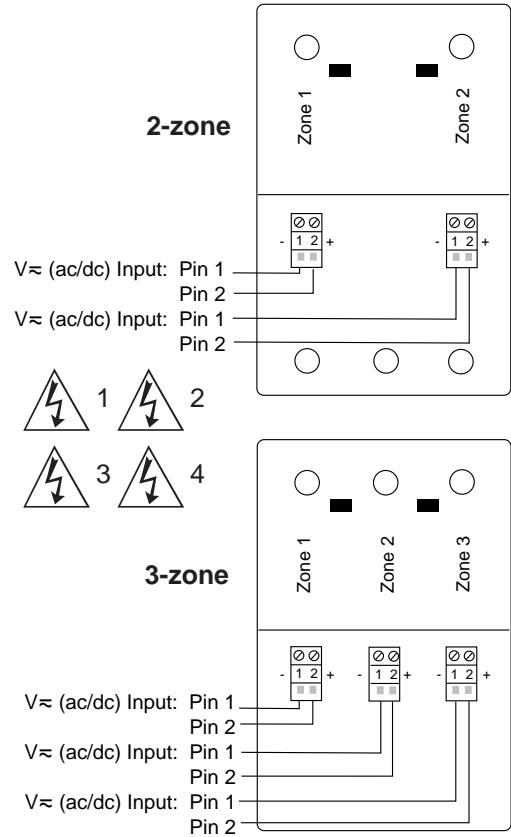
4. Press down on release tab while rotating unit up and away from rail.



Single Input Wiring

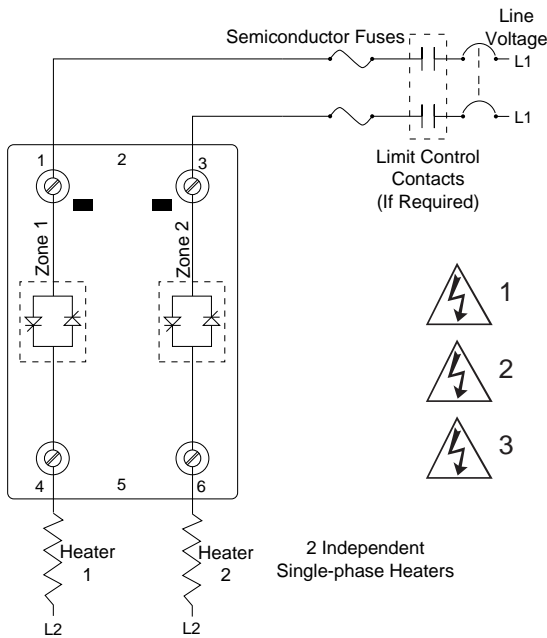


Multi-Input Wiring

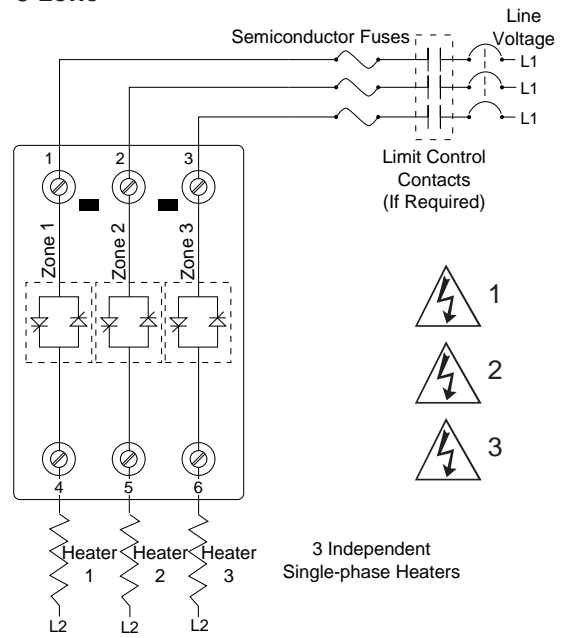


Multi-Output Wiring

2-zone



3-zone



Specifications

(1824)

Control Mode, Zero Cross

- V~ input contactor
- V= (dc) input contactor
- 4-20mA variable time base control

Operator Interface

- Command signal input
- Input signal indication LED
- Alarm output indication

Input Command Signal

- 24, 120, 240V~ @ 13mA max.
- 4.5-32V= (dc): max current @ 4.5V= (dc) is 8.5mA per leg plus 1.2mA LED current @5V= (dc)
- 4-20mA (=dc): 375 ohms input impedance, loop powered. Output control Type 'V' option only.

Output Voltage

- 22-50V~; 22V~ min. to 50V~ max.
- 120-240V~ unit: 48V~ min. to 280V~ max.
- 277-600V~ unit: 80V~ min. to 660V~ max.
- Off State Leakage 1mA at 25°C max.

Amperage

- See output rating curve below. Ratings are into a resistive heater load.
- Max. surge current for 16.6mSec. 570 amps peak.
- Max. I²t for fusing 1,620 A²Sec.
- Holding current: 150mA min.
- Latching current: 180mA min.

Shorted Output Alarm Option

- Triac output 24/240V~ 300mA @ 25°C, 125mA @ 80°C
- Energizes on alarm
- Holding current: 200µA max.
- Latching current 5mA typical

Dimensions

- Weight: 1.56 lbs.(0.7kg.)
- Height: 3.7 inch (94mm)
- Width: 3.12 inch (79 mm)
- Depth: 4.7 inch (119 mm) on a DIN rail

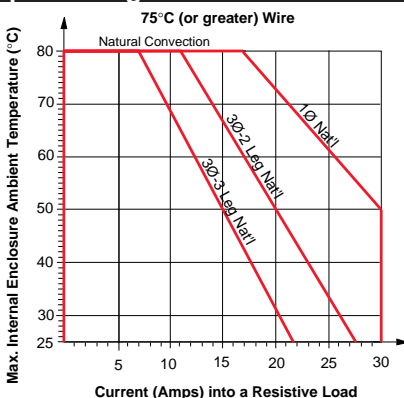
Specification subject to change without notice.

Recommended Semiconductor Fuse for applications through 600V~ :

DIN-a-mite

Model	Fuse P/N		Fuse Holder P/N	
	Ferraz	Watlow	Ferraz	Watlow
15A	PFZ-K330013	17-8020	PFZ-G81219	17-5110
20A	PFZ-L330014	17-8025	PFZ-G81219	17-5110
30A	PFZ-A093909	17-8040	PFZ-J081221	17-5114

Output Ratings Curves



Ordering Information

(1825)

Part Number D B - - - - - 0

Phase

- 1 = Single phase
- 2 = 3 phase, 2-leg
- 3 = 3 phase, 3-leg

Control Type

- C = Zero-cross controllable
- V = Zero-cross variable time base (4-20mA only)

Amperage

- 15 = 15 Amp (3 phase, 3-leg only)
- 20 = 20 Amp (3 phase, 2-leg only)
- 30 = 30 Amp (1 phase only)

Output Voltage

- 02 = 22 to 50V~
- 24 = 120 to 240V~
- 60 = 277 to 600V~

Input Type

- C0 = V= (dc) contactor
- C2 = 2 independent V=(dc) contactors (for 2-leg models only)
- C3 = 3 independent V=(dc) contactors (for 3-leg models only)
- F0 = 4-20mA input (variable time base only)
- K1 = 24V~ contactor
- K2 = 120V~ contactor
- K3 = 240V~ contactor
- K4 = 2 independent 24V~ contactors (for 2-leg models only)
- K5 = 2 independent 120V~ contactors (for 2-leg models only)
- K6 = 2 independent 240V~ contactors (for 2-leg models only)
- K7 = 3 independent 24V~ contactors (for 3-leg models only)
- K8 = 3 independent 120V~ contactors (for 3-leg models only)
- K9 = 3 independent 240V~ contactors (for 3-leg models only)

Alarm

- S = Shorted SCR detector
- 0 = No shorted SCR detector

Note: User documentation may be available in French, German, Spanish, Italian, and Dutch, as well as English. Check Watlow's website (www.watlow.com/) for availability. Specify language at time of order.

Warranty

The DIN-a-mite is warranted to be free of defects in material and workmanship for 36 months after delivery to the first purchaser for use, providing that the units have not been misapplied. Since Watlow has no control over their use, and sometimes misuse, we cannot guarantee against failure. Watlow's obligations hereunder, at Watlow's option, are limited to replacement, repair or refund of purchase price, and parts which upon examination prove to be defective within the warranty period specified. This warranty does not apply to damage resulting from transportation, alteration, misuse, abuse or improper fusing.

TOTAL
CUSTOMER
SATISFACTION

Returns

- Call Customer Service: +1 (507) 454-5300, or fax: +1 (507) 452-4507, for a Return Material Authorization (RMA) number before returning any item for repair.
- Make sure the RMA number is on the outside of the carton, and on all paperwork returned. Ship on a freight prepaid basis.
- A restocking charge of 20% of the net price applies for all returned stock controllers and accessories in like new condition and within 120 days after shipment. Non-stock and modified stock items are not returnable.
- If the unit is unrepairable, it will be returned to you with a letter of explanation. Repair costs will not exceed 50% of the original cost.

Technical Support

If you encounter a problem with your Watlow controller, verify that your wiring is correct for your specific model number. If the problem persists, an Application Engineer can discuss your application with you. Before calling, please have the complete model number and user's manual available. You can get technical support by dialing +1 (507) 494-5656, 7 a.m. to 7 p.m. Central Standard Time, or by e-mail to wintechsupport@watlow.com. The DIN-a-mite B User's Manual is copyrighted by Watlow Winona, Inc., © November 1999, with all rights reserved. (1823)



DIN-a-mite[®] Style C Solid State Power Controller User's Manual



CE 96



DIN-a-mite Solid State Power Controller

The Watlow DIN-a-mite power controller includes single-phase, three-phase, two-leg, and three-phase, three-leg, 120 - 600V~ operation. Current switching capabilities range from 30 to 65A, depending on model ordered. See output rating curves.

Zero cross variable time base or $V\sim/V\rightleftharpoons$ (dc) input contactor versions are available. Phase angle and phase angle with current limit are also available on single phase models. All configurations are model number-dependent and factory-selectable.

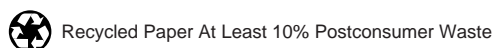
The DIN-a-mite power controller is designed and manufactured by Watlow in Winona, Minnesota.



Watlow Controls, 1241 Bundy Boulevard, P.O. Box 5580, Winona, Minnesota USA 55987-5580
Phone: +1 (507) 454-5300, Fax: +1 (507) 452-4507, Internet: <http://www.watlow.com>

0600-0025-0009 Rev D
Supersedes 0600-0025-0009 Rev C
February, 2000

Made in the U.S.A.



General Specifications — (1806)

Operator Interface

- Command signal input
- Input signal indication LED
- Alarm output indication

Amperage Rating

- See output rating curves on page 3 for all natural convection, fan cooled, and thru-wall mount models. Ratings are into a resistive heater load.
- Max. surge current for 16.6mSec. 1,000 amp peak
- Max. I²t for fusing 4,150 A² Sec.
- Fan current: 0.12A for 120V~; 0.06A for 240V~
- Latching current: 180mA min.
- Holding current: 150mA min.

Shorted Output Alarm Option

- Triac output 24/240V~ 300mA @ 25°C, 125mA @ 80°C
- Energizes on alarm
- Holding current: 200µA max.
- Latching current: 5mA typical

Dimensions

- See pages 5-7.
- Weight: 3.2 lbs. (1.5kg), 4.0 lbs. (1.8kg) (includes fan)

Agency Approvals

- UL 50 Type 4X Enclosure & UL 1604 File #E184390
- UL 508 Listed and C-UL, File #E73741
- VDE 0160, License # 91623
- U.S. Patent No. 5,598,322
- CE with proper filter:
 - 89/336/EEC Electromagnetic Compatibility Directive
 - EN 50081-2: 1994 Emissions
 - EN 50082-2: 1995 Immunity
 - 73/23/EEC Low Voltage Directive
 - EN 61010-1: 1993 Safety
 - prEN 50178 Safety Requirements;
 - VDE 0160, License #91623

Terminals

- Compression - will accept #6-14 AWG wire (2.5-16mm²)
- Torque to 35 inch lbs. (3.95Nm).

Operating Environment

- Up to 80°C. See output rating curves for your application.
- 0 to 90% RH, non-condensing
- Contactor V[∞] (dc) / V~ type: To increase DIN-a-mite service life, input cycle time should be less than 3 seconds
- Insulation only tested to 3,000 meters
- Units are suitable for "Pollution degree 2"

Mounting

Options include DIN rail or standard back panel mounting

- The DIN rail specification is:
 - DIN EN 50022, 35mm x 7.5mm
- Minimum clipping distance: 1.37" (34.8mm)
- Maximum clipping distance: 1.39" (35.3mm)
- See page 7 for thru-wall cutout
- Mount with cooling fins vertical

Accessory

- 54-0259: MDR to DIN Rail Adapter Plate

Frequency

- 50/60 Hz independent

Isolation

- Command signal to load 4000V~ min.

Specifications are subject to change without notice.

Additional Specifications for Output Control Types "C" and "V"

Control Mode, Zero Cross

- V~ input contactor
- V[∞] (dc) input contactor
- 4-20mA[∞] (dc) variable time base control

Input Command Signal

- 24, 120, 240V~ @ 13mA max.
- 4.5 - 32 V[∞] (dc): max. current @ 4.5V[∞] (dc) is 8.5mA per leg plus 1.2mA LED current
- 4-20mA[∞] (dc): 375 ohms input impedance, loop powered. Output control Type 'V' option only.

Operating and Output Voltage

- 120-240V~ unit: 48V~ min. to 280V~ max.
- 277-600V~ unit: 80V~ min. to 660V~ max.
- Off-state leakage 1mA at 25°C max.

Additional Specifications for Output Control Types "S", "P" and "L"

Operation

- Burst firing (zero cross) control, single cycle variable time base, type "S" single and three phase
- Phase angle control, type "P" single phase only
- Phase angle control with current limit, type "L" single phase only

Input Command Signal

- 4-20mA[∞] (dc), 0-5V[∞] (dc), 1-5V[∞] (dc), and 0-10V[∞] (dc)
- Input impedance 250Ω for 4-20mA, 5KΩ for linear voltage input
- Process input factory set by model number

Operating and Output Voltage

- 120, 208, 240, 277, 400, 480, and 600V~, -15 / +10%
- 1, 2, or 3 pole for type "S" burst fire only
- 1 pole only for phase angle type "P" and "L"

Line Voltage Compensation

- 10% Δ in line, 5% max. Δ in load in the 30% to 70% region (control type "P" and "L" only)

Linearity (Control type "S")

- Better than ± 5% input to output power over 0 to 100% of span

Linearity (Phase Angle Control type "P" and "L")

- ± 5% input to output power reference sinusoidal power curve

Soft Start

(Phase Angle Control type "P" and "L")

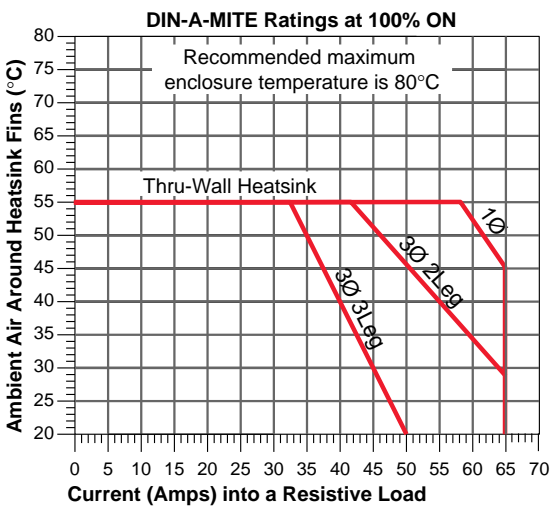
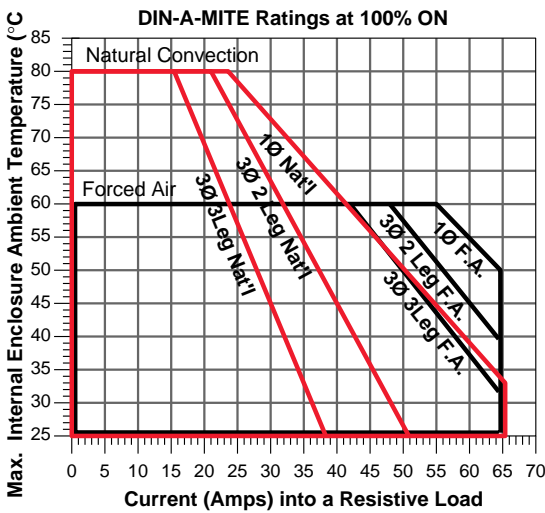
Typically:

- 5 seconds on power up
- 1 second on set point change
- Soft start on thermostat overtemperature
- 1/2 cycle drop out detection restarts soft approximately 5 seconds

Options

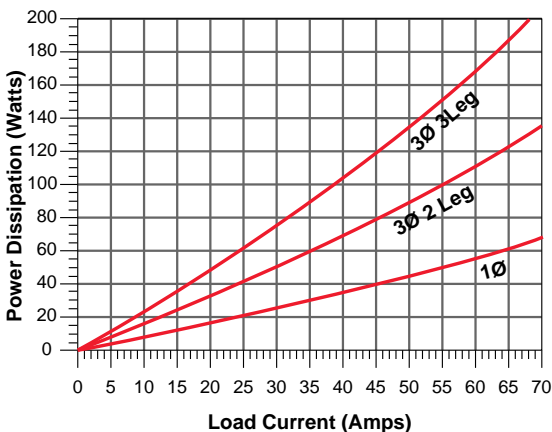
- Manual Control Kit (1KΩ potentiometer) #08-5362
- Shorted SCR alarm option is **not** available on phase angle type "P" or "L"

Output Rating Curves



Power Dissipation

Use this line graph to determine the heat that one DIN-a-mite will contribute to the enclosure.



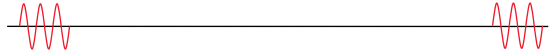
NOTE: Seventy percent of the above heat will be outside the enclosure on the thru-wall model.

Extended Heater And SCR Life With Variable Time Base

With variable time base control, the power controller automatically adjusts the time base and output power with respect to process input. Accelerated life testing verified that variable time base control significantly reduces expansion and contraction of the heater element. This extends heater and SCR life while improving process temperature control. You save money on heaters, downtime and maintenance.

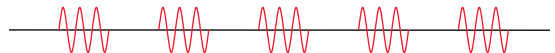
Models: DCXV-XXXX-XXXX

20% Power



3 AC line cycles on, 12 cycles off

50% Power



3 AC line cycles on, 3 cycles off

Single Cycle Variable Time Base

Models: DCXS-XXXX-FOXX V1 V2 V3

25% Power



1 AC line cycle on, 3 cycles off

50% Power

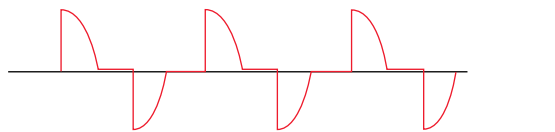


1 AC line cycle on, 1 cycle off

Variable Time Base (control type "S") single cycle variable. At 50% power, it is on one cycle, and off one cycle. At 25% it is on for one cycle and off for three. Under 50% the unit is not on for more than one consecutive cycle. Over 50% the unit is not off for more than one consecutive cycle. This model will work with a linear voltage input, a 4-20mA input or a potentiometer input.

Phase Angle

Models: DC1P-XXXX-FOXX V1 V2 V3

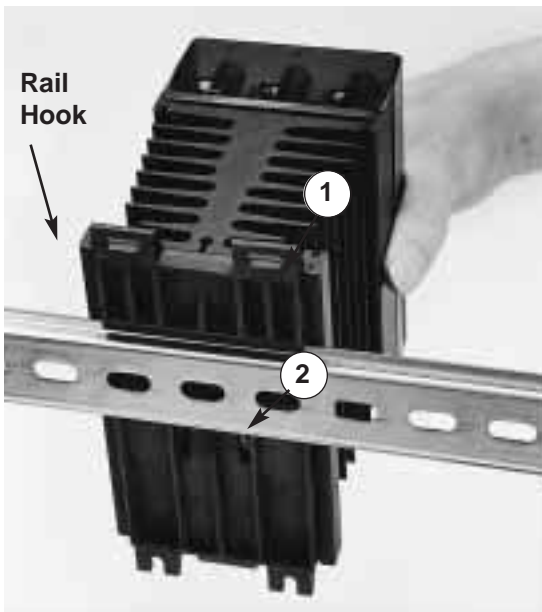


Phase Angle (control type "P") Phase control is infinitely variable inside the sine wave. This provides a variable voltage and/or current output. This option includes soft start and line voltage compensation. This model will work with a linear voltage input, a 4-20mA input or a potentiometer input. This is single phase only.

6 WARNING:

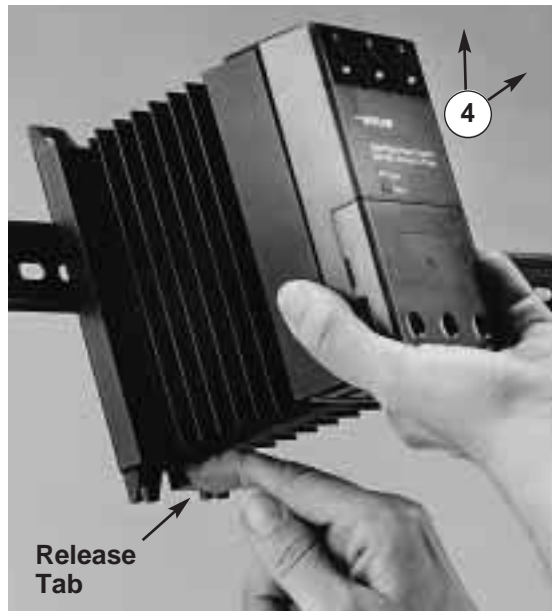
If input signal on "S" is opened it will have a 6% output to the load

Mount



1. Push unit in and down to catch rail hook on top of rail.
2. Rotate bottom of unit in toward rail.
3. Rail clasp will audibly "snap" into place. If the DIN-a-mite does not snap into place, check to see if the rail is bent.
4. Mount cooling fins vertical.

Dismount



4. Press down on release tab while rotating unit up and away from rail.



3

WARNING: Installation and service should be performed by qualified personnel only. Failure to follow this guideline could result in damage to equipment, and personal injury or death.



5

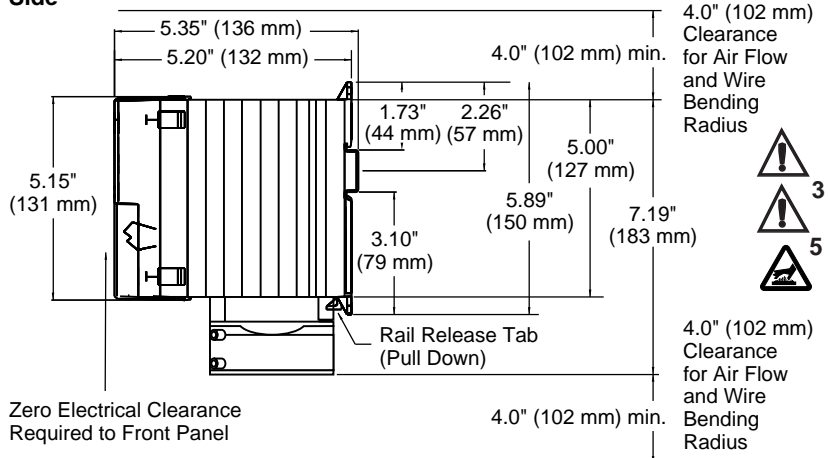
WARNING: Hot surface, do not touch heat sink. Failure to follow this guideline could result in personal injury.



Mount cooling fins vertically. ↑

Unit Dimensions - Fan Cooled

Side



Unit Dimensions - Rail Mounted



3

WARNING:
Installation and service should be performed by qualified personnel only. Failure to follow this guideline could result in damage to equipment, and personal injury or death.



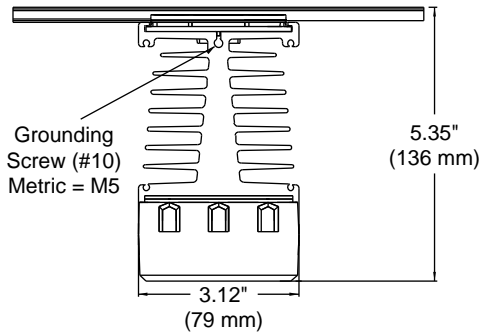
WARNING:

Hot surface, do not touch heat sink. Failure to follow this guideline could result in personal injury.

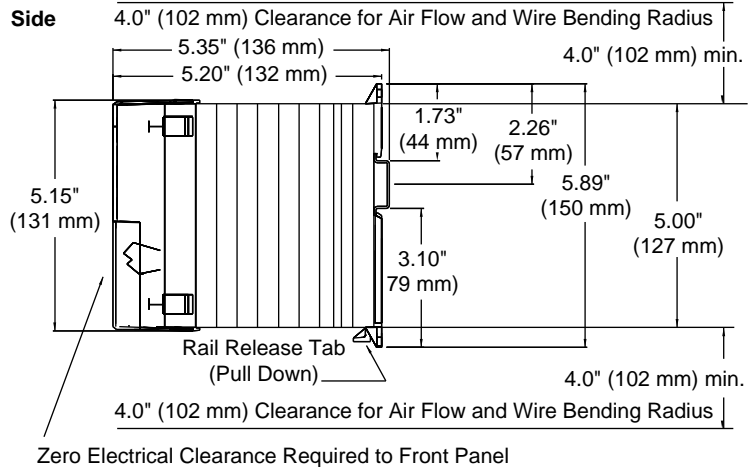


Mount cooling fins vertically. ↑

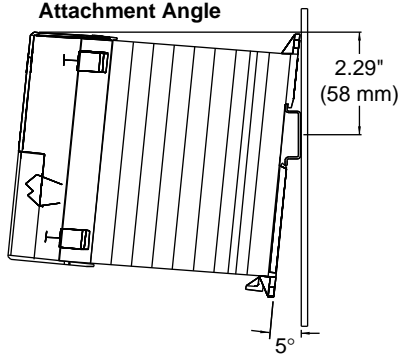
Top



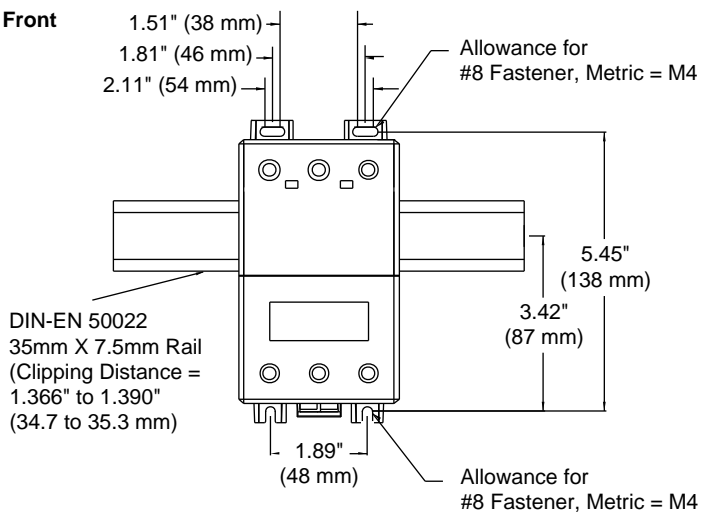
Side



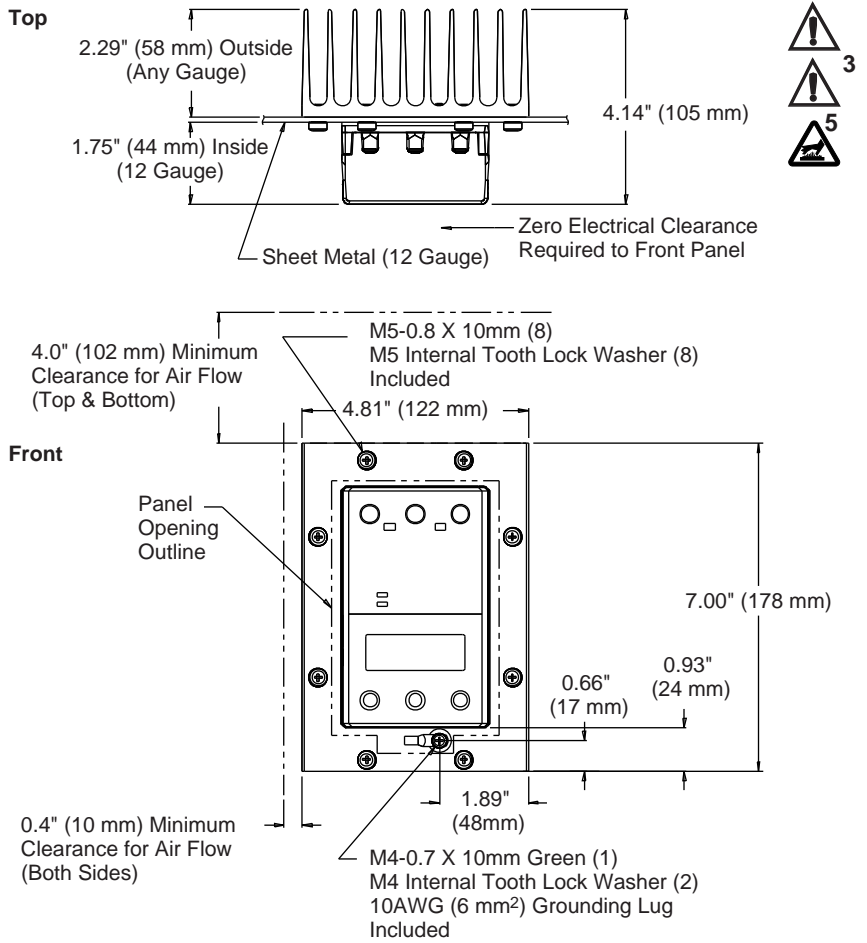
Attachment Angle



Front



Unit Dimensions - Thru-Wall (Cabinet Panel)

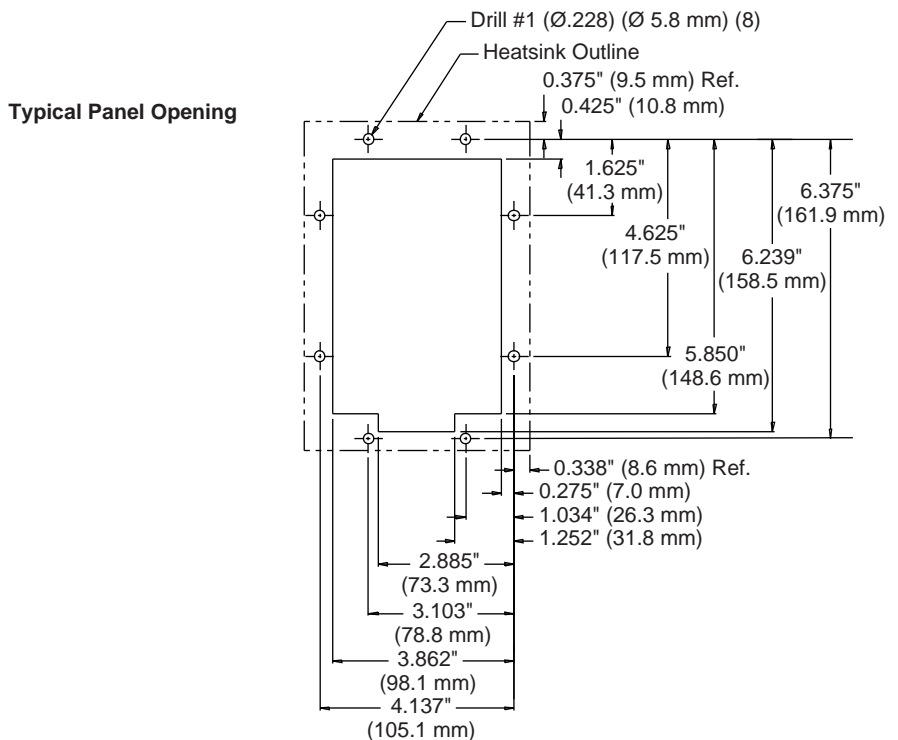


Mounting

Mounting procedure for UL 50 Type 4X Enclosure & UL 1604 Thru-wall mount models

Materials included:
 (1) Silicone gasket
 (8) #M5 Screws and Lockwashers
 (1) DIN-a-mite C Thru-wall

1. Drill and cut panel per the dimensioned drawing at right.
2. Remove mounting screws from heatsink.
3. Peel off protective film from the silicone gasket. Stick the gasket to the heatsink so the gasket holes line up with the screw holes in the heatsink.
4. Mount heatsink vertically. Torque to 20-25 inch lbs. (2.26-2.82Nm).





WARNING:
Wiring must conform to National Electric Code (NEC) safety standards, as well as locally applicable codes. Failure to do so could result in personal injury or death.



WARNING:
Installation and service should be performed by qualified personnel only. Failure to follow this guideline could result in damage to equipment, and personal injury or death.



WARNING:
All signal and alarm wires must be tied together beneath the cover. Failure to follow this guideline could result in personal injury or death.

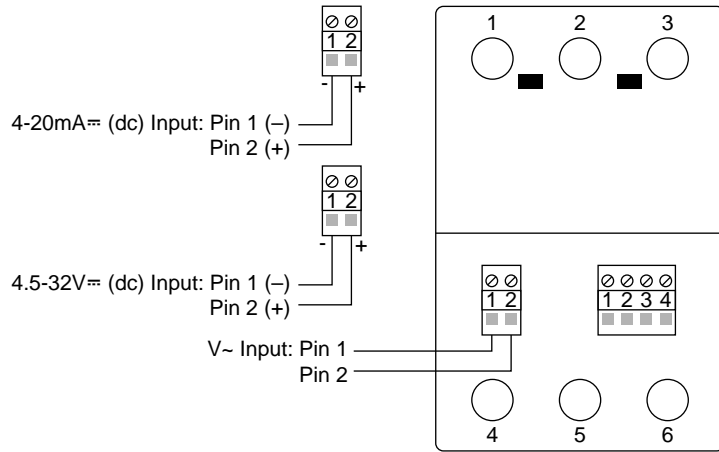


WARNING:
If input signal on "S" is opened it will have a 6% output to the load.

NOTE:
Shorted SCR alarm option not available with multizone input option.

Input Wiring

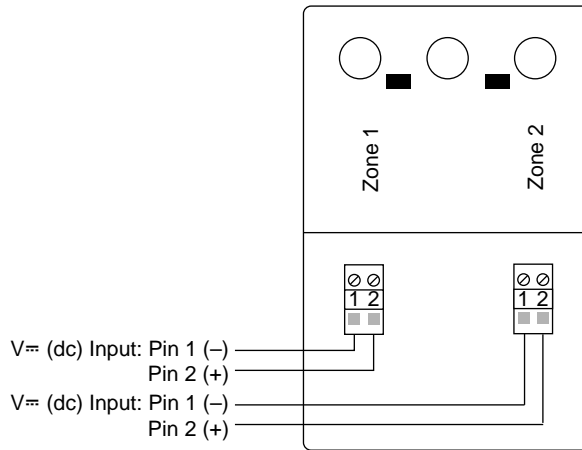
(For models DCXC-XXXX-XXXX and DCXV-XXXX-XXXX)



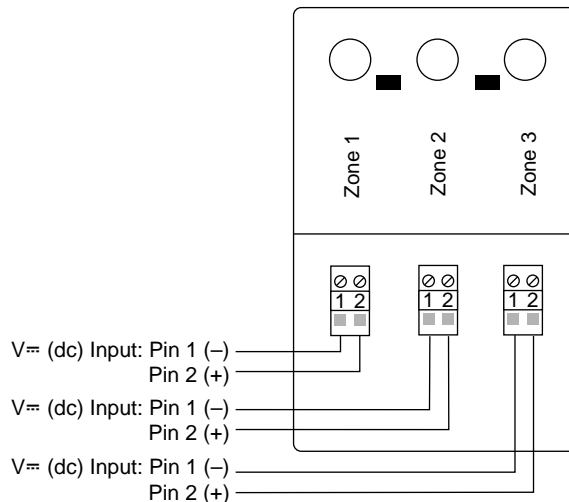
Multizone Input Wiring

(For models DC2C-XXXX-C20X and DC3C-XXXX-C30X)

2-zone



3-zone





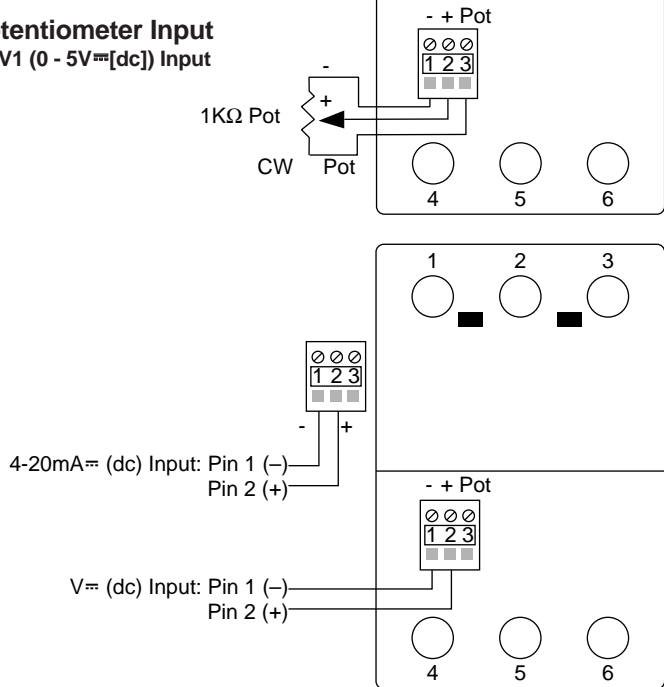
NOTE:
Potentiometer is customer supplied.
For potentiometer only, order Watlow part number 08-5362.

Input Wiring

(For models DC1P-XXXX-XXXX and DCXS-XXXX-XXXX)

4-20mA and Linear Voltage Input
For input options F0, V1, V2 and V3

1KΩ Potentiometer Input
Use with V1 (0-5V_{dc}) Input

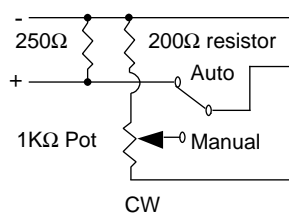


Auto/Manual Input application

(For models DC1P-XXXX-XXXX and DCXS-XXXX-XXXX)

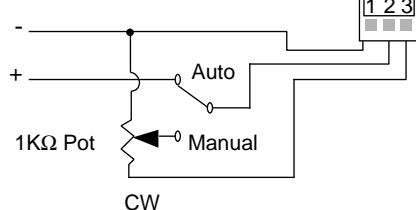
If using 4-20mA_{dc} temperature controller output, order DIN-a-mite control input V2 (1-5V_{dc}).

4-20mA_{dc} signal from temperature controller



If using 0-5V_{dc} temperature controller output, order DIN-a-mite control input V1 (0-5V_{dc}).

0-5V_{dc} signal from temperature controller



NOTE:
Potentiometer and resistors are customer supplied. For potentiometer only, order Watlow part number 08-5362.



NOTE:
Adjust potentiometer clockwise to increase current; counterclockwise to decrease current.



WARNING:
Wiring must conform to National Electric Code (NEC) safety standards, as well as locally applicable codes. Failure to do so could result in personal injury or death.



WARNING:
Wiring examples show L2 in 240V~ or 480V~ configuration. In 120V~ applications, L2 is neutral and must not be fused or switched. Failure to follow this guideline could result in personal injury or death.



WARNING:
Installation and service should be performed by qualified personnel only. Failure to follow this guideline could result in damage to equipment, and personal injury or death.



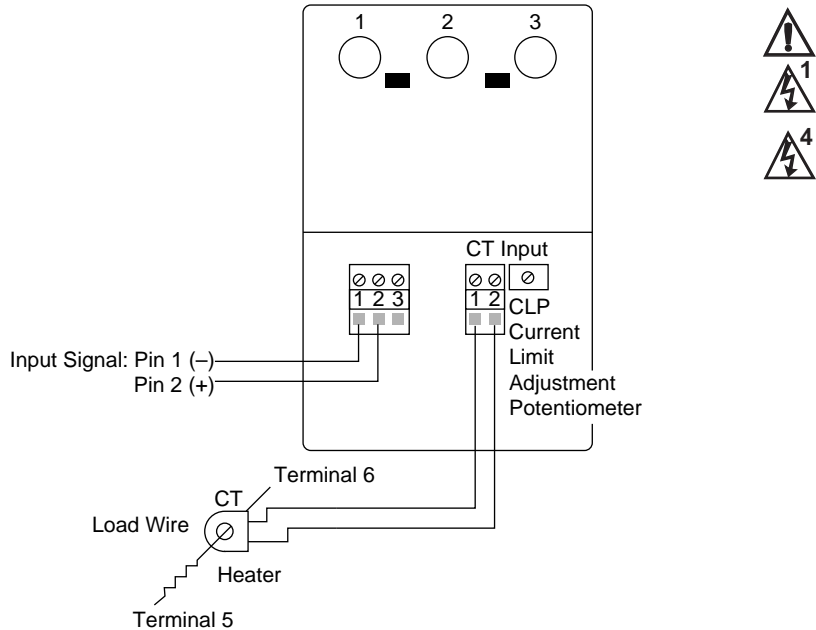
WARNING:
All signal and alarm wires must be tied together beneath the cover. Failure to follow this guideline could result in personal injury or death.

NOTE:
Shorted SCR alarm option not available with phase angle units.

Input Wiring Phase Angle with Current Limit

(Model DC1L-XXXX-XXXX)

4-20mA and Linear Voltage Input for Input options F0, V1, V2, and V3.



Current Limit Adjustment Procedure

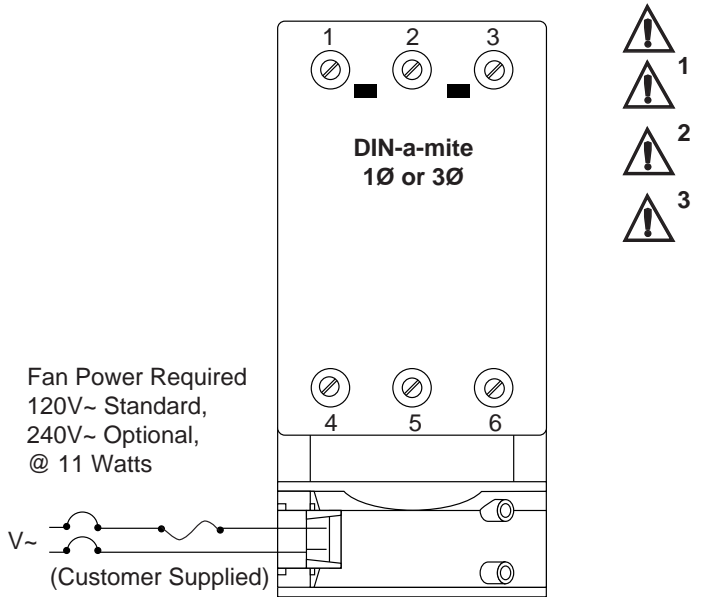
The DC1L model is a phase angle controller with the capability to limit the maximum current to the load. A potentiometer on the DIN-a-mite adjusts the current limit setting. Use the following steps to adjust the current limit on initial setup. The purpose of the procedure is to bring the power to the load slowly so that the desired maximum current to the load is not exceeded before the current limit is adjusted.

NOTE:
The DIN-a-mite is shipped factory calibrated with potentiometer adjusted fully clockwise (no current limiting).

NOTE: A short overcurrent through the load may occur, as the circuitry detects the high current, if the input signal from the temperature controller is abruptly increased.

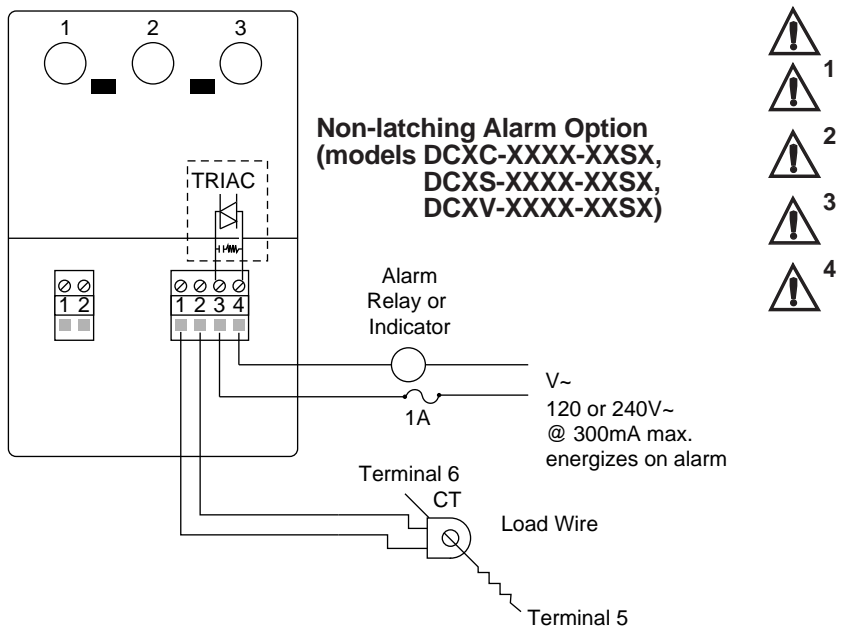
1. Attach a clamp-on ammeter to the load line.
2. Adjust the current limit potentiometer fully counterclockwise (for minimum current flow).
3. Turn the temperature controller ON and adjust the input signal to the DIN-a-mite for zero percent power.
4. Turn ON the power to the DIN-a-mite.
5. Gradually increase the input signal.
6. Adjust the current limit potentiometer clockwise until current to the load is measurable.
7. Gradually increase the input signal to 100% power, then adjust the current limit potentiometer to obtain the desired maximum current to the load.

Fan Cooled



Current Transformer and Alarm

NOTE: If you plan to parallel or series multiple DIN-a-mite alarm outputs, you need to include an intermediate relay between the triac output and the shunt trip or contactor coil.



Shorted SCR Alarm Non-latching Operation

The shorted SCR detector compares the input command signal and actual load current. If load current is present without an input signal then the shorted SCR alarm will energize a triac (on board the DIN-a-mite) output. There is about a four second delay before the output switches. This is a non-latching alarm. This output can be used to drive various indication devices, i.e. coil, light, buzzer, etc. See alternative latching circuit, page 14-15.

Load Current	Number of Passes of Load Wire Through Current Transformer
5 to 9 Amps	2
10 to 65 Amps	1



1

WARNING:
Wiring must conform to National Electric Code (NEC) safety standards, as well as locally applicable codes. Failure to do so could result in personal injury or death.



2

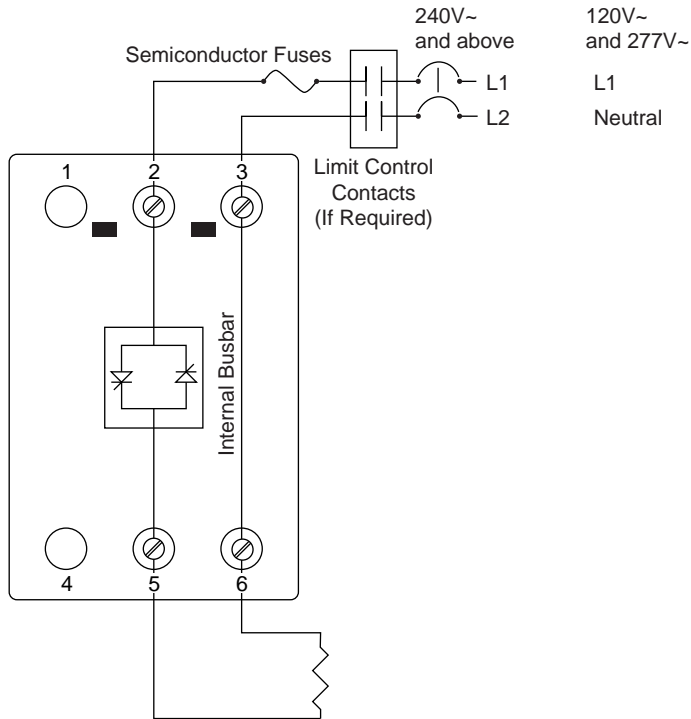
WARNING:
Wiring examples show L2 in 240V~ or 480V~ configuration. In 120V~ applications, L2 is neutral and must not be fused or switched. Failure to follow this guideline could result in personal injury or death.



3

WARNING:
Installation and service should be performed by qualified personnel only. Failure to follow this guideline could result in damage to equipment, and personal injury or death.

1Ø Output



1



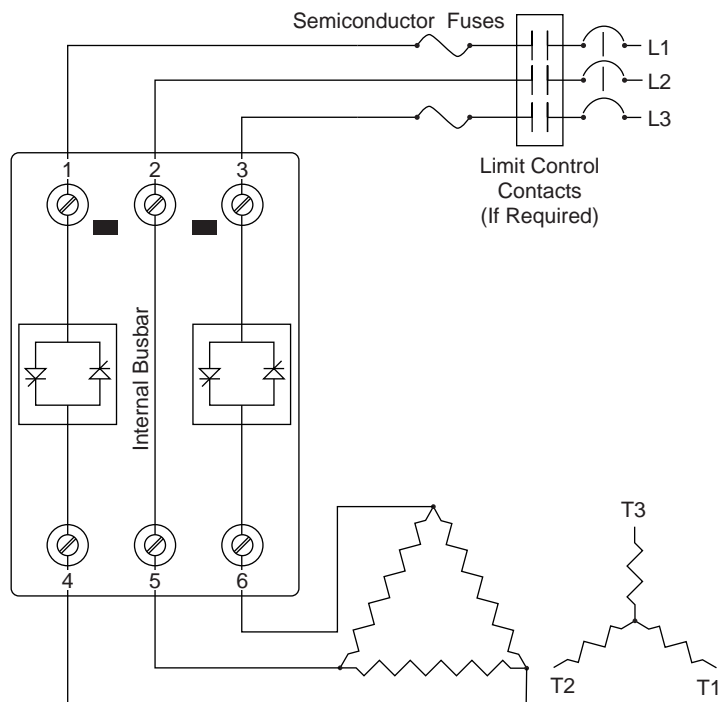
2



3

240V~ and above
120V~ and 277V~
L1
Neutral

3Ø 2-leg Output



1

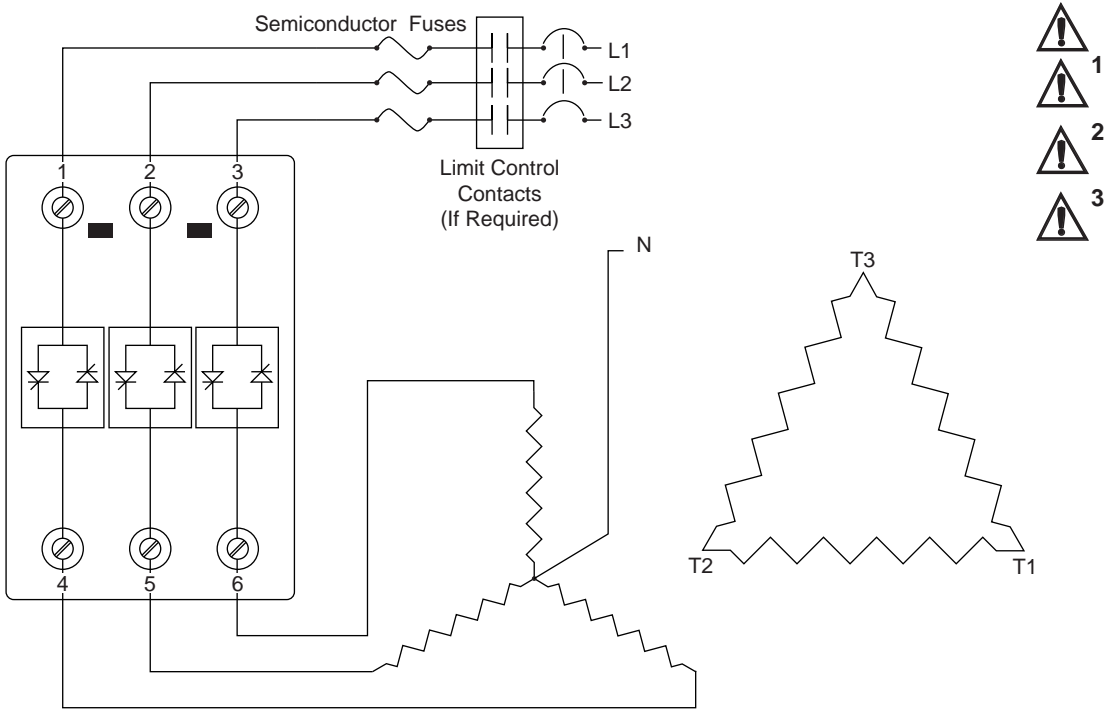


2



3

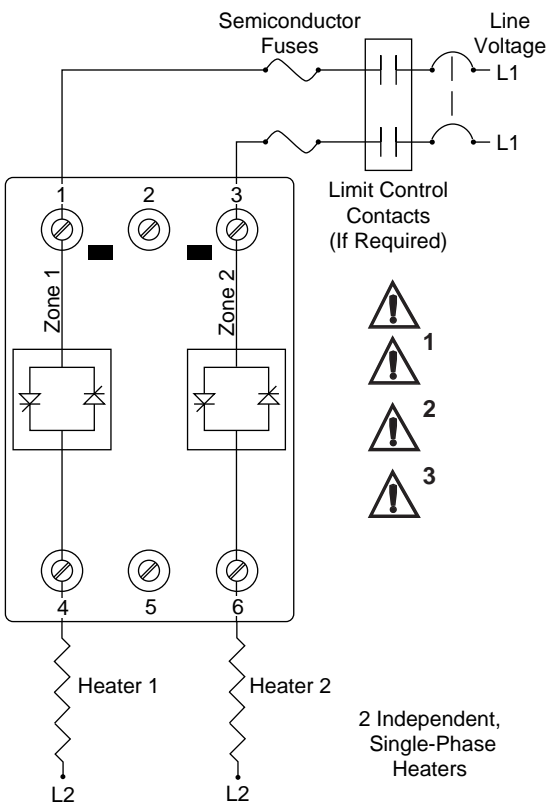
3Ø 3-leg Output



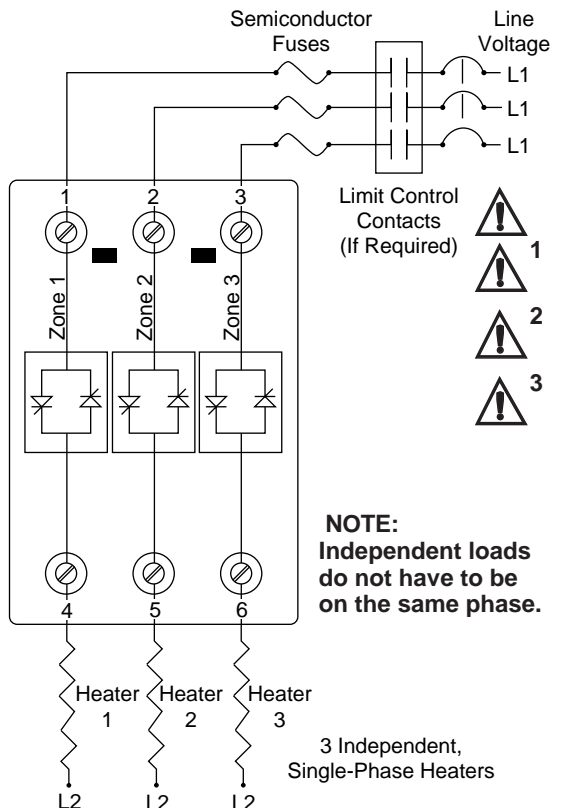
Multizone Output Wiring

(For models DC2C-XXXX-C20X and DC3C-XXXX-C30X)

2-zone



3-zone



NOTE:
Independent loads do not have to be on the same phase.

Warranty



TOTAL CUSTOMER SATISFACTION

The DIN-a-mite is warranted to be free of defects in material and workmanship for 36 months after delivery to the first purchaser for use, providing that the units have not been misapplied. Since Watlow has no control over their use, and sometimes misuse, we cannot guarantee against failure. Watlow's obligations hereunder, at Watlow's option, are limited to replacement, repair, or refund of purchase price, and parts which upon examination prove to be defective within the warranty period specified. **This warranty does not apply to damage resulting from transportation, alteration, misuse, abuse or improper fusing.**

Returns

1. Call Customer Service, +1 (507) 454-5300, or send a fax to +1 (507) 452-4507, for a Return Material Authorization (RMA) number before returning any item for repair.
2. Make sure the RMA number is on the outside of the carton, and on all paperwork returned. Ship on a freight prepaid basis.
3. A restocking charge of 20% of the net price is applied for all returned stock controllers and accessories.
4. If the unit is unreparable, it will be returned to you with a letter of explanation. Repair costs will not exceed 50% of the original cost.

Technical Support

If you encounter a problem with your Watlow controller, verify that your wiring is correct for your specific model number. If the problem persists, an Application Engineer can discuss your application with you.

Before calling, please have the complete model number and user's manual available. You can get technical support by dialing +1 (507) 494-5656, 7 a.m. to 7 p.m. Central Standard Time.

The DIN-a-mite C User's Manual is copyrighted by Watlow Winona, Inc., © February 2000, with all rights reserved. (1805)

Watlow DIN-a-mite C User's Manual

Watlow Controls, 1241 Bundy Boulevard, P.O. Box 5580, Winona, Minnesota USA 55987-5580
Phone: +1 (507) 454-5300, Fax: +1 (507) 452-4507, Internet: <http://www.watlow.com>



Power Controls

Watlow Controls, 1241 Bundy Blvd.
P.O. Box 5580, Winona, MN 55987-5580
Phone: 507-454-5300, Fax: 507-452-4507



Congratulations on your purchase of a Watlow DIN-a-mite solid state power control. This product represents the state-of-the-art in solid state power control design. Please consult this user's manual when placing your new DIN-a-mite in service. It contains all the necessary information to mount and wire it into the application. This manual also contains all pertinent specifications and semiconductor fusing recommendations. Please refer to national and local electrical code safety guidelines whenever installing electrical equipment.

This DIN-a-mite product is capable of switching up to 100 amps single phase, at 600V~ (ac) at 30°C, depending on the model selected. It is electrically touch-safe and includes: standard back-panel mounting; on-board semiconductor fuses; and a current transformer option for external load current monitoring. A shorted SCR alarm option can notify the user of a shorted SCR condition. This is done via a circuit that monitors load current and input command signal simultaneously. If there is load current when there isn't a command signal, a secondary triac output will energize in about 3-4 seconds elapse time. This triac output can be wired to a remote alarm indicator.

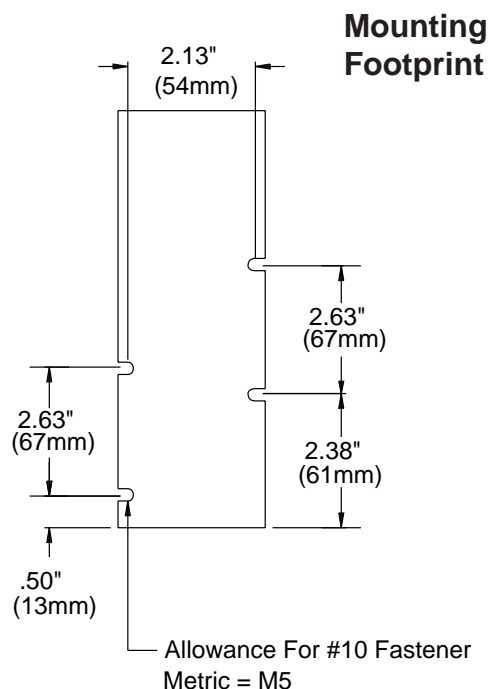
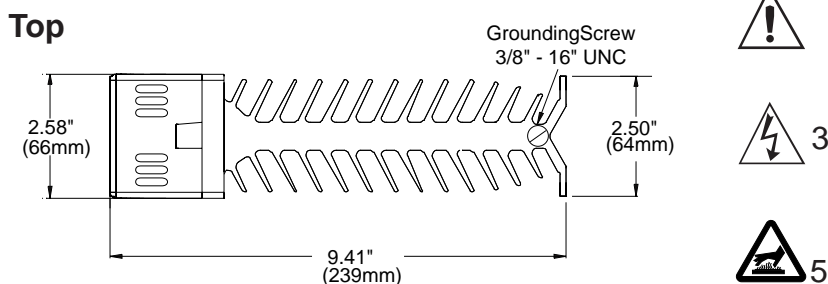
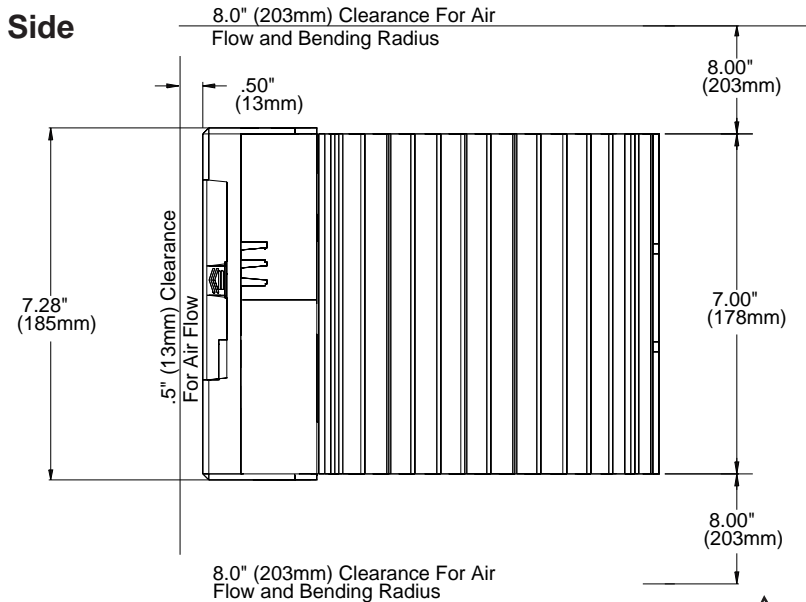
The DIN-a-mite D mounting footprint matches that of an industry standard 100 amp mercury displacement relay. This DIN-a-mite is CE Approved, UL 508 listed, C-UL and VDE 0160.

User's Manual



DIN-a-mite® Style D Solid State Power Control

Unit Dimensions



Fuse Replacement



After removing all power, use a 7/16-in. nut driver to remove fuse mounting nuts. Torque to 40 in. lbs.



1 WARNING: Wiring must conform to National Electric Code (NEC) safety standards, as well as locally applicable codes. Failure to do so could result in personal injury or death.



2 WARNING: Wiring examples show L2 in 240V~ (ac) or 480V~ (ac) configuration. In 120V~ (ac) applications, L2 is neutral and must not be fused or switched. Failure to follow this guideline could result in personal injury or death.



3 WARNING: Installation and service should be performed by qualified personnel only. Failure to follow this guideline could result in damage to equipment, and personal injury or death.

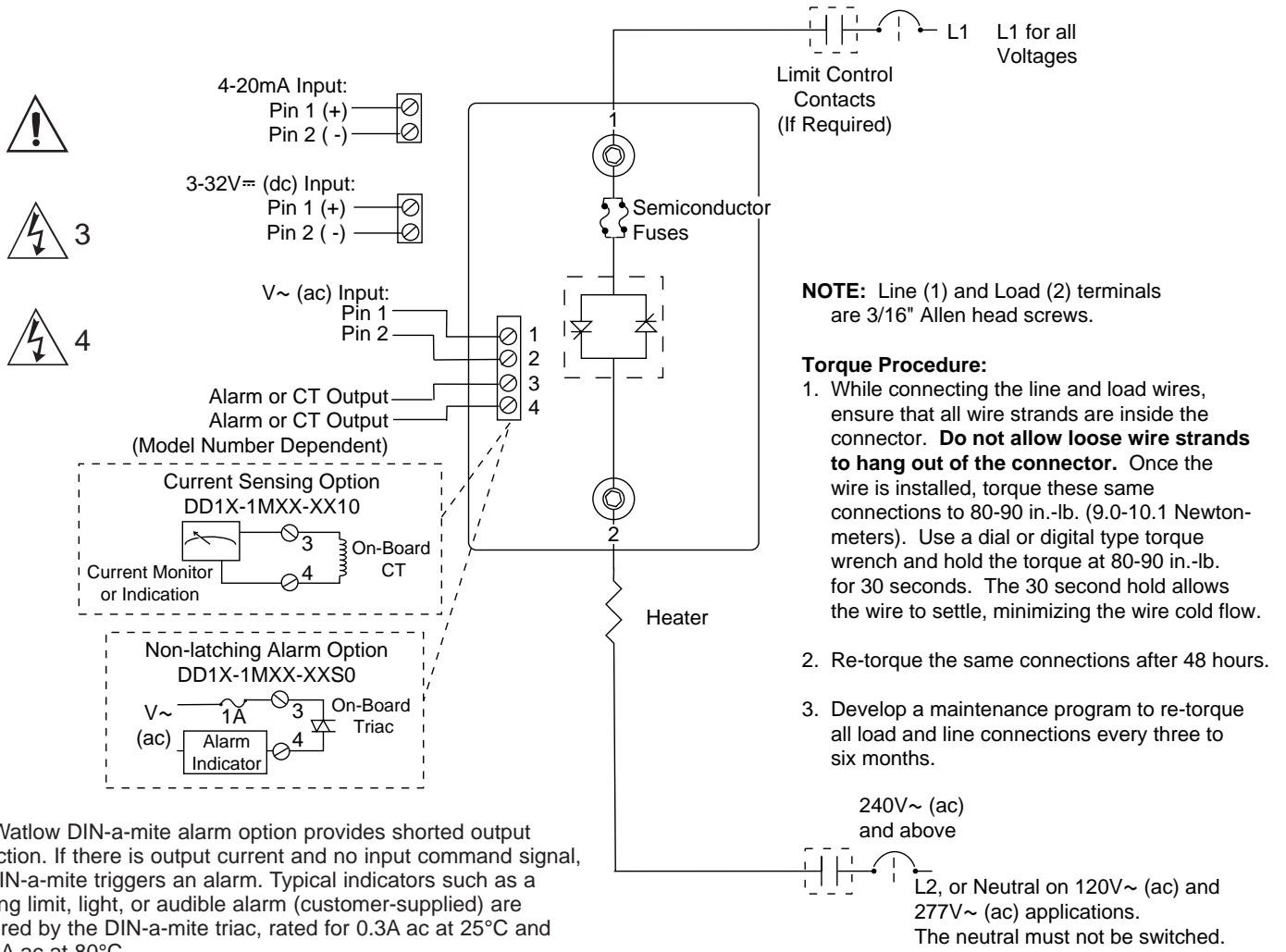


4 WARNING: All signal and alarm wires must be tied together beneath the cover. Failure to follow this guideline could result in personal injury or death.



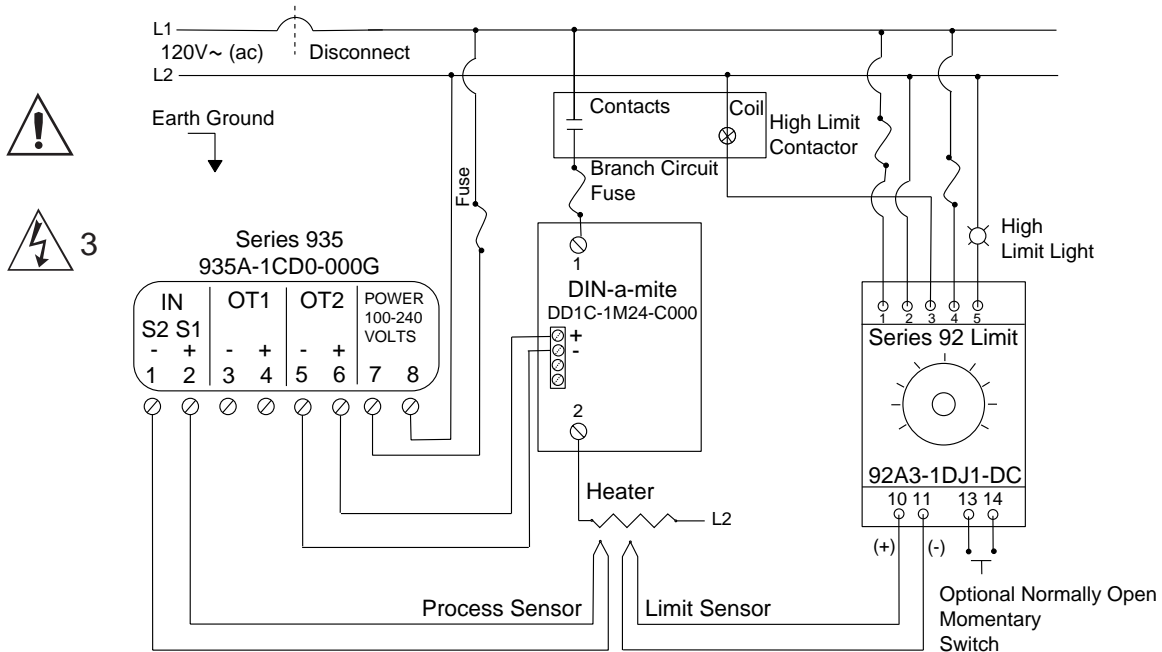
5 WARNING: Hot surface, do not touch heat sink. Failure to follow this guideline could result in personal injury.

1Ø Output and Input Wiring



The Watlow DIN-a-mite alarm option provides shorted output protection. If there is output current and no input command signal, the DIN-a-mite triggers an alarm. Typical indicators such as a latching limit, light, or audible alarm (customer-supplied) are triggered by the DIN-a-mite triac, rated for 0.3A ac at 25°C and 0.125A ac at 80°C.

System Wiring Example



Specifications

(1457)

Control Mode-Zero Cross

- V~ (ac) input contactor
- V= (dc) input contactor
- 4-20mA variable time base control

Operator Interface

- Command signal input
- Input signal indication LED
- Load current sensing output
- Shorted SCR detector output and indication LED

Input Command Signal

- 24, 120, 240V~ (ac) @ 13mA max
- 4.5 - 32 V= (dc): max. current @ 4.5V= (dc) is 8.5mA per leg plus 1.2mA LED current
- 4-20mA (=dc): 375 ohms input impedance, loop powered. Output control Type 'V' option only.

Output Voltage

- 24 to 50V~ (ac)
- 120-240V~ (ac) units: 48V~ (ac) min. to 280V~ (ac) max.
- 277-600V~ (ac) units: 80V~ (ac) min. to 660V~ (ac) max.
- Off State Leakage: 1mA at 25°C max.

Amperage

- 1 phase, 100A output maximum at 30°C into a resistive load. See output rating curve.
- Max. surge current for 16.6mSec. 1,750 amp peak
- Max. I²t for fusing: 12,750 A²Sec.

Operating Environment

- Up to 80°C. See output rating curve for your application.
- Contactor V= (dc) / V~ (ac) type input cycle time should be less than 3 seconds
- Insulation tested to 3,000 meters
- Units suitable for "Pollution degree 2"
- 0 to 90% RH, non-condensing
- 50/60 Hz independent

Agency Approvals

- UL508 listed and C-UL File #E73741
- CE with proper filter:
89/336/EEC Electromagnetic Compatibility Directive
EN 50081-2: 1994 Emissions; EN 50082-2: 1995 Immunity
73/23/EEC Low Voltage Directive
VDE 0160, License #91623

Terminals

- 3/16" Allen head compression - will accept #2-6 AWG wire
- Torque to 80-90 in.-lb. (9.0-10.1 Newton-meters)

Mounting

- Standard back panel mounting; fits the same mounting pattern as a 100A 1Ø MDR
- Mounting holes offer clearance for #10 screw
- On-board semiconductor fusing, Bussmann P/N 170N3437

Current Sensing

- On-board current transformer, 0.1V~ (ac) output signal per amp into 100 ohms

Shorted Output Alarm Option

- Triac output 24/240V~ (ac) 300mA @ 25°C, 125mA @ 80°C
- Energizes on alarm
- Holding current 200µA max.
- Latching current 5mA typical.

Dimensions

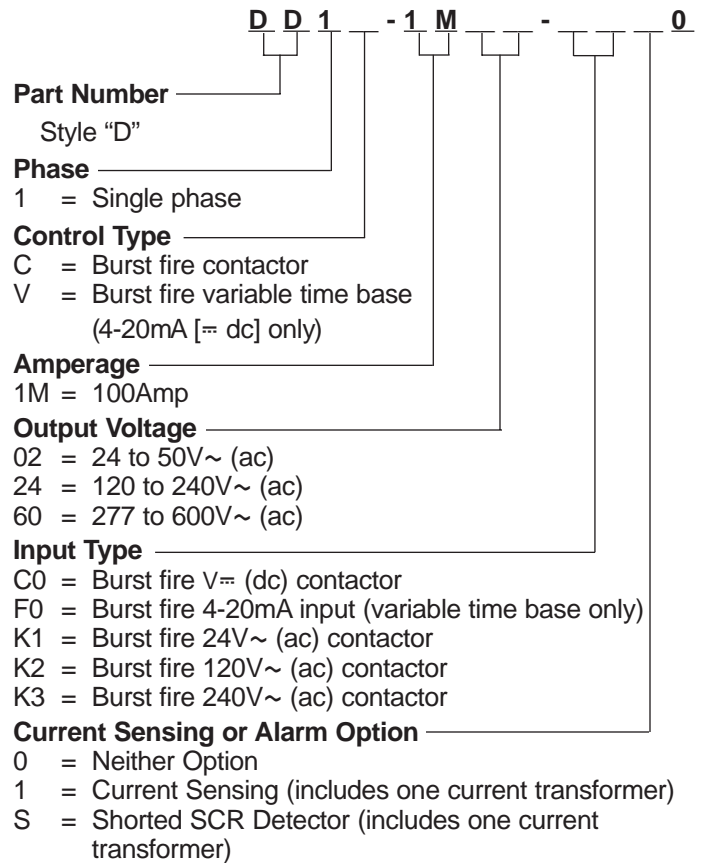
- See page 2
- Weight: 6.5 lbs.

Returns

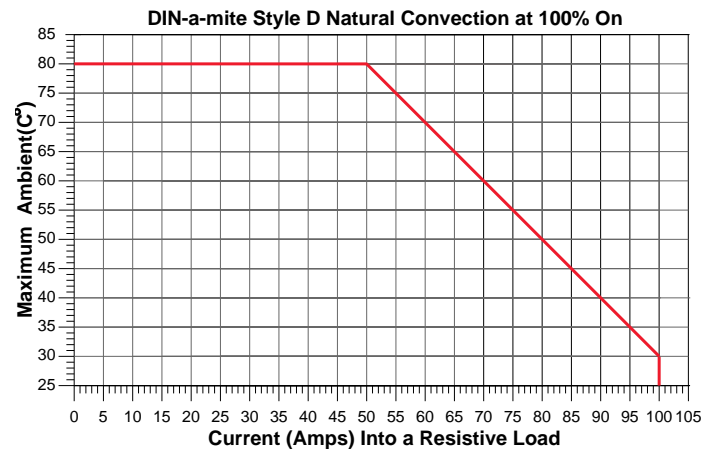
1. Call Customer Service, 507-454-5300, or send a fax to 507-452-4507 for a Return Material Authorization (RMA) number before returning any item for repair.
2. Make sure the RMA number is on the outside of the carton, and on all paperwork returned. Ship on a freight prepaid basis.
3. A restocking charge of 20% of the net price is applied for all returned stock controls and accessories.
4. If the unit is unrepairable, it will be returned to you with a letter of explanation. Repair costs will not exceed 50% of the original cost.

Ordering Information

(1458)



Output Rating Curve



Warranty

The DIN-a-mite is warranted to be free of defects in material and workmanship for 36 months after delivery to the first purchaser for use, providing that the units have not been misapplied. Since Watlow has no control over their use, and sometimes misuse, we cannot guarantee against failure. Watlow's obligations hereunder, at Watlow's option, are limited to replacement, repair, or refund of purchase price, and parts which upon examination prove to be defective within the warranty period specified. This warranty does not apply to damage resulting from transportation, alteration, misuse, abuse or improper fusing.

TOTAL
CUSTOMER
SATISFACTION